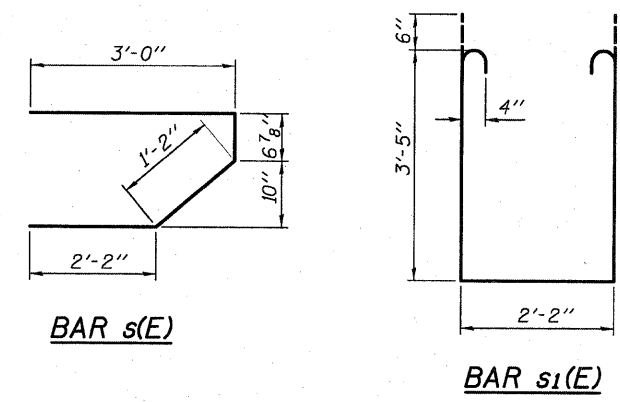
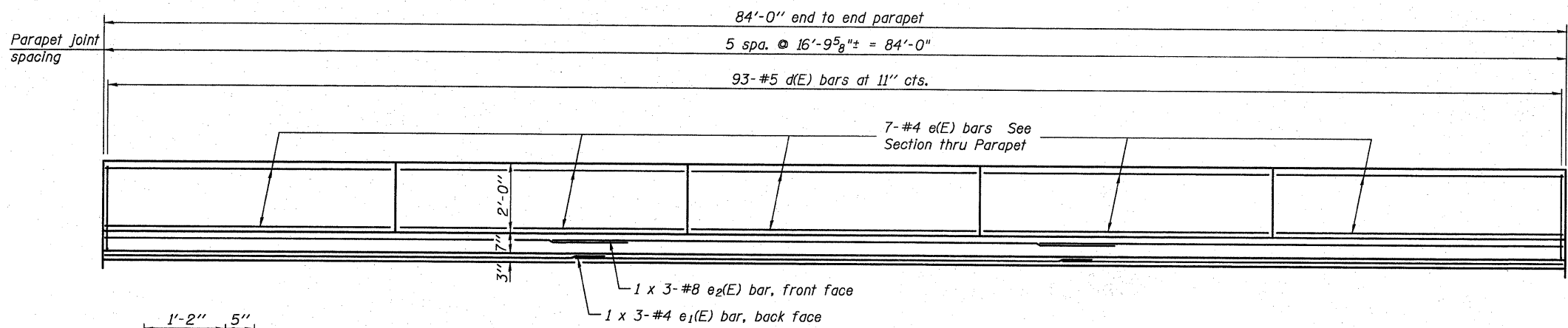
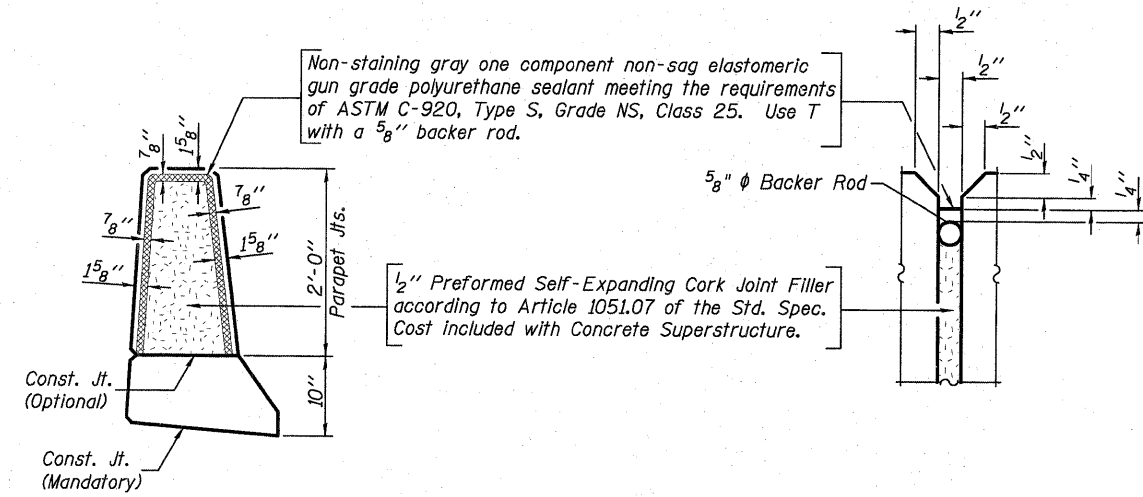
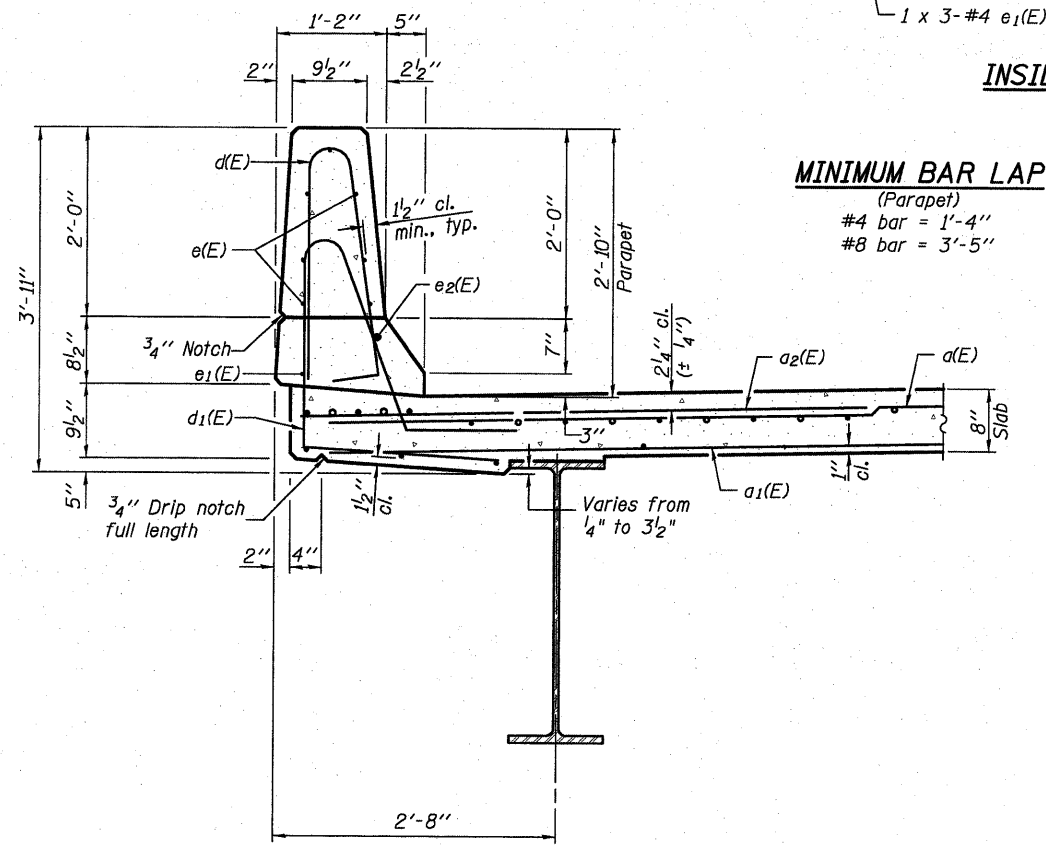


03/06/10-76410-II-SSDT-DON NOV. 30, 2009

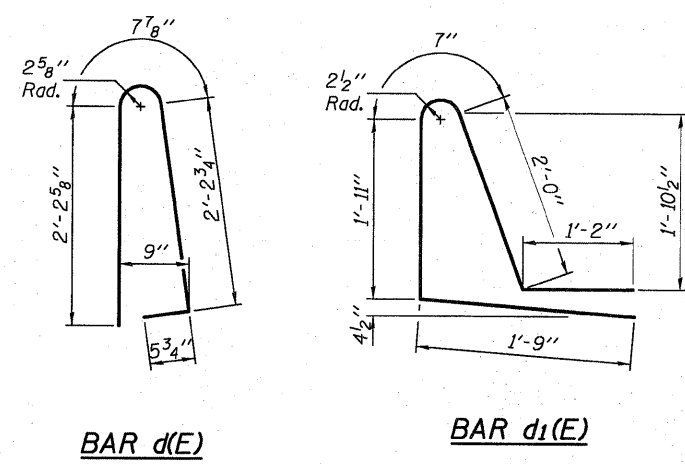
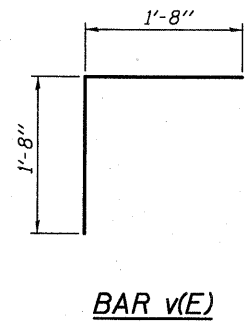
STATE OF ILLINOIS
DEPARTMENT OF TRANSPORTATION



INSIDE ELEVATION OF PARAPET



PARAPET JOINT DETAILS



SUPERSTRUCTURE
BILL OF MATERIAL

Bar	No.	Size	Length	Shape
d(E)	145	#5	30'-6"	U
a1(E)	102	#5	29'-9"	—
a2(E)	290	#6	6'-0"	—
b(E)	102	#5	29'-5"	—
b1(E)	124	#5	22'-7"	—
d(E)	186	#5	5'-7"	U
d1(E)	186	#5	7'-5"	U
e(E)	70	#4	16'-6"	—
e1(E)	6	#4	28'-11"	—
e2(E)	6	#8	30'-2"	—
m(E)	4	#6	30'-10"	—
m1(E)	6	#6	30'-10"	—
m2(E)	24	#6	7'-4"	—
m3(E)	10	#6	4'-10"	—
m4(E)	4	#6	2'-4"	—
s(E)	72	#5	6'-11"	U
s1(E)	62	#4	10'-0"	U
v(E)	64	#5	3'-4"	L
Reinforcement Bars, Epoxy Coated		Pound	22,310	
Concrete Superstructure		Cu. Yds.	111.1	

Bars indicated thus 1 x 3- #4 etc. indicates 1 line of bars with 3 lengths per line.

SUPERSTRUCTURE DETAILS

SHEET NO. 9 21 SHEETS	F.A.S. RTE.	SECTION	COUNTY	TOTAL SHEETS	SHEET NO.
	739	401-2BR	GREENE	150	42
S.N. 031-0041			CONTRACT NO. 76410		
FED. ROAD DIST. NO.		ILLINOIS	FED. AID PROJECT		

DESIGNED	B.G.H.
CHECKED	L.D.G.
DRAWN	K.H.L.
CHECKED	B.G.H.

S-I-D 10-1-08

H.M. & G. NO. 6020.161