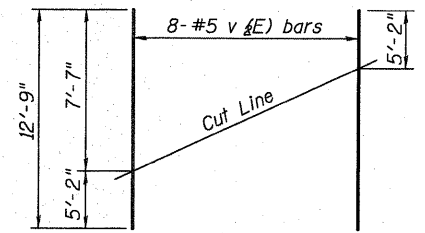
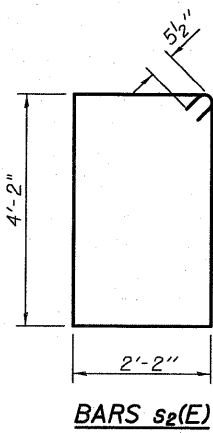
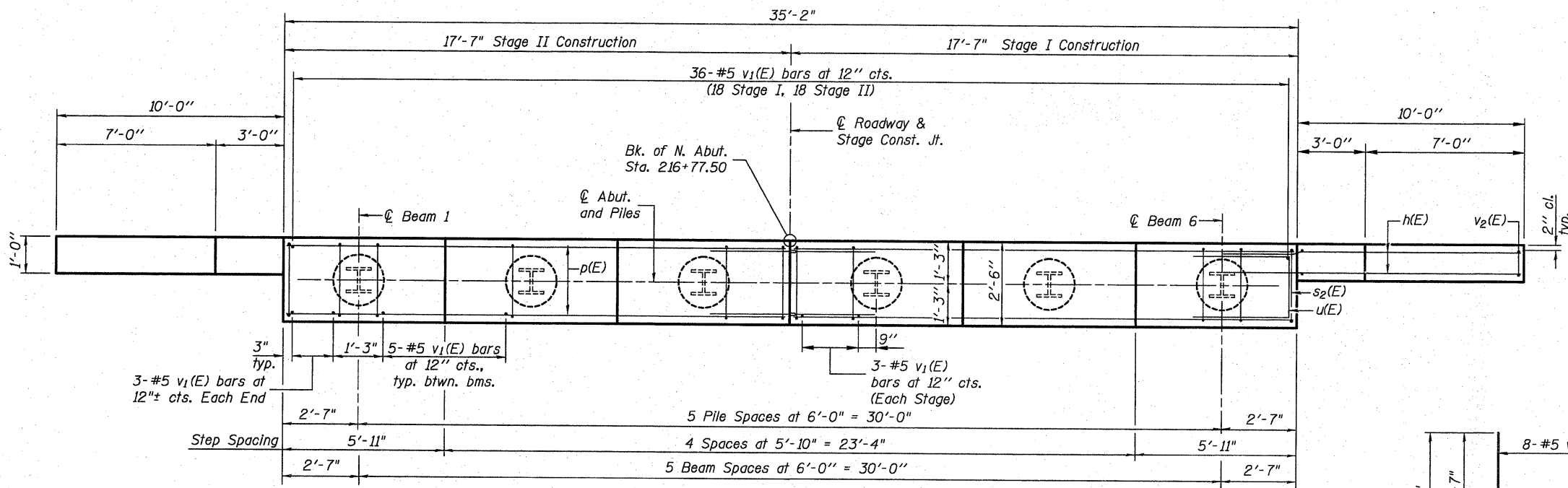
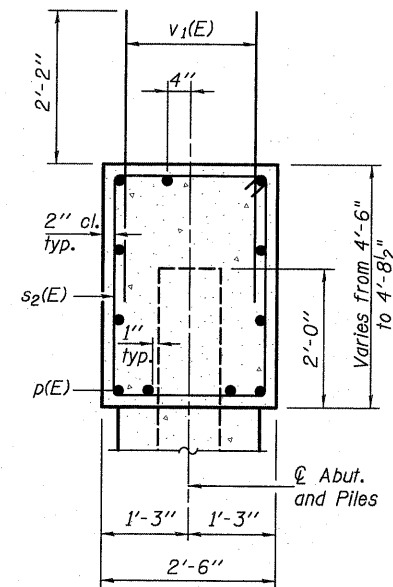
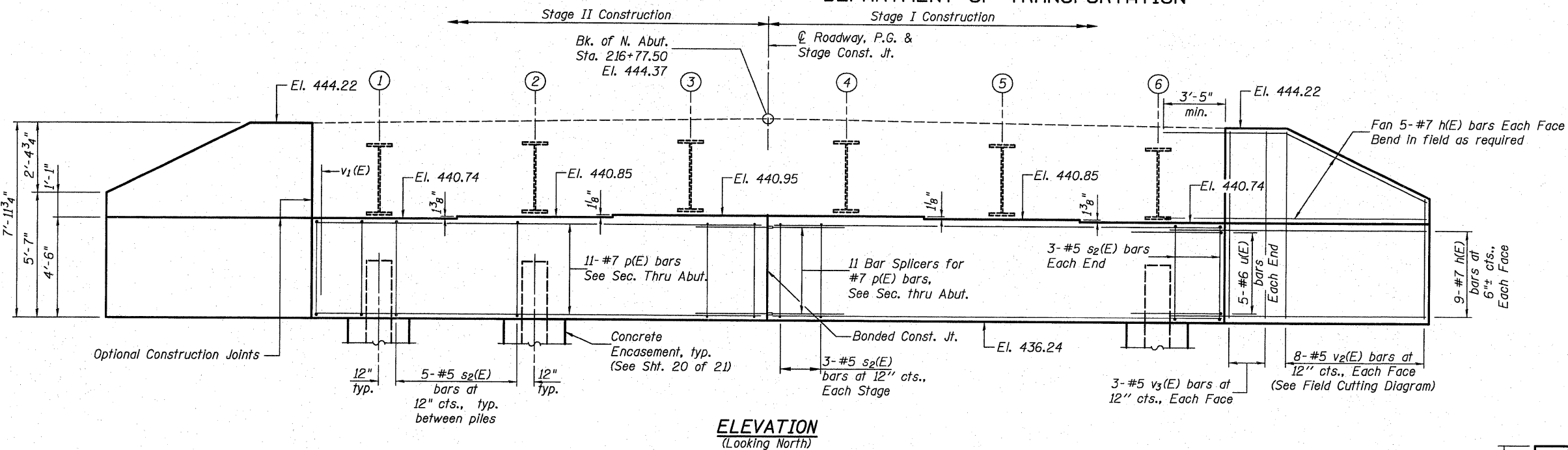


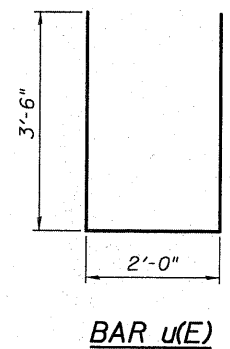
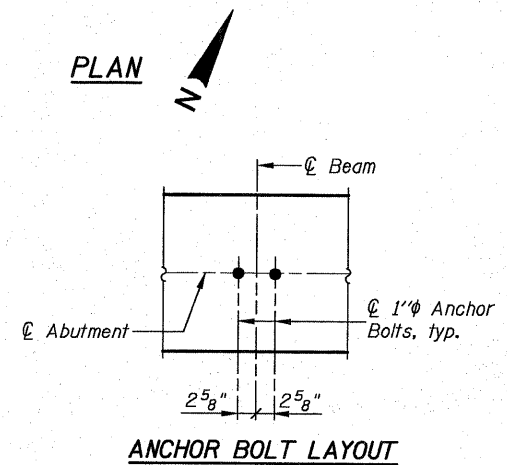
0130040-76410-18-1487.DGN NOV. 30, 2009

**STATE OF ILLINOIS
DEPARTMENT OF TRANSPORTATION**

Notes:
Four steps monolithically with cap.



FIELD CUTTING DIAGRAM
Order v₂(E) full length. Cut as shown and use remainder of bars in opposite face.



BILL OF MATERIAL

Bar No.	Size	Length	Shape
h(E)	#7	14'-0"	—
p(E)	#7	17'-3"	—
s ₂ (E)	#5	13'-7"	□
u(E)	#6	9'-0"	—
v ₁ (E)	#5	4'-4"	—
v ₂ (E)	#5	12'-9"	—
v ₃ (E)	#5	7'-7"	—
Structure Excavation			Cu. Yd. 113
Concrete Structures			Cu. Yd. 20.3
Reinforcement Bars, Epoxy Coated			Pound 3,590
Furnishing Steel Piles HP 14x73			Foot 535
Driving Piles HP 14x73			Foot 535
Test Pile Steel HP 14x73			Each 1
Concrete Encasement			Cu. Yd. 3.3

For details of Bar Splicers, see sht. 19 of 21.
For details of piles and Concrete Encasement, see sht. 20 of 21.

PILE DATA

Type: HP 14x73
Nominal Required Bearing: 420 kips
Factored Resistance Available: 210 kips
Est. Length: 107 feet
No. Production Piles: 5
No. Test Piles: 1

DESIGNED	B.G.H.
CHECKED	L.D.G.
DRAWN	K.H.L.
CHECKED	B.G.H.

AI-0 10-1-08

NORTH ABUTMENT

SHEET NO. 18 21 SHEETS	F.A.S. RTE. 739	SECTION 1-2BR	COUNTY GREENE	TOTAL SHEETS 150	SHEET NO. 100
	S.N. 031-0040		CONTRACT NO. 76410		
FED. ROAD DIST. NO.		ILLINOIS	FED. AID PROJECT		

H.M. & G. NO. 6020.161