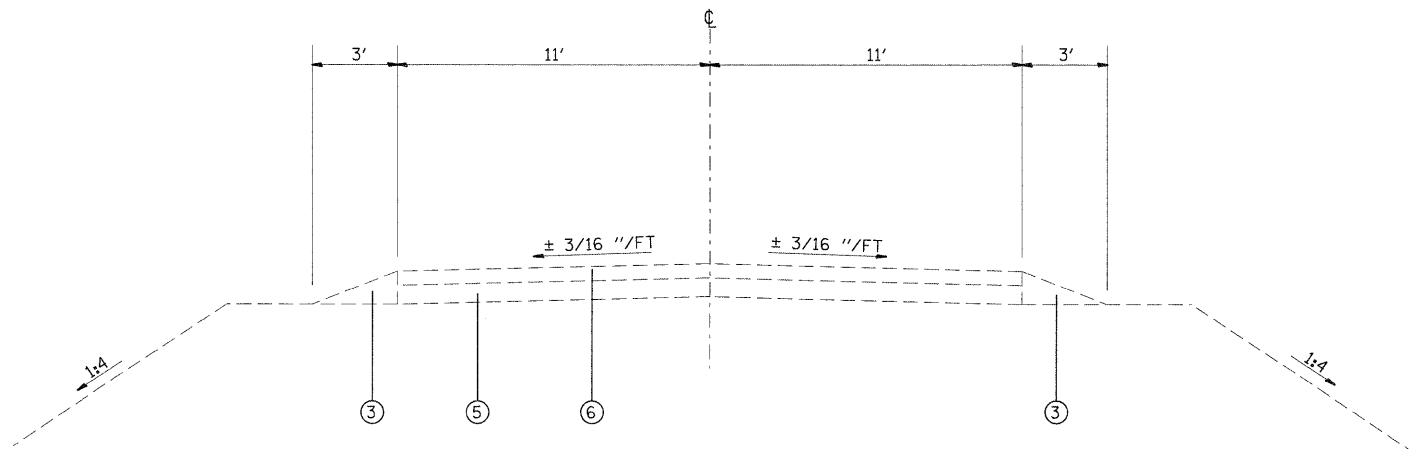


MIXTURE REQUIREMENTS

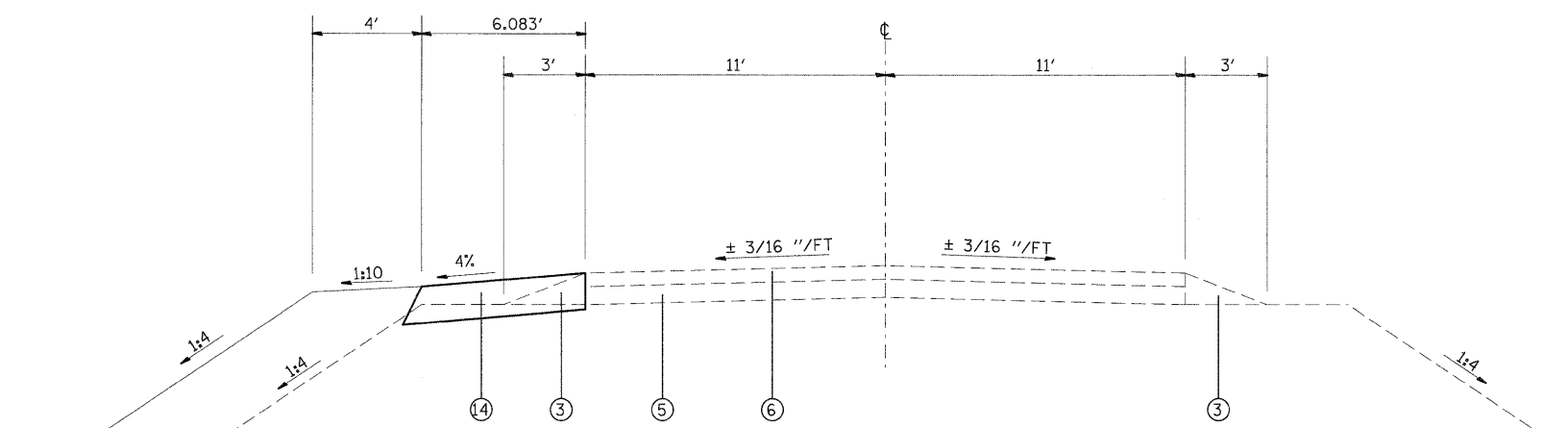
MIXTURE USE	SURFACE COURSE	INCIDENTAL SURFACE	BINDER COURSE	HOT-MIX ASPHALT SHOULDERS
AC/PG	PG 64-22	PG 64-22	PG 64-22	PG 64-22
RAP % (MAX)	SEE SPECIAL PROV	SEE SPECIAL PROV	SEE SPECIAL PROV	SEE SPECIAL PROV
DESIGN AIR VOIDS	4.0%@Ndes=70	4.0%@Ndes=70	4.0%@Ndes=70	SEE SPECIAL PROV
MIX COMPOSITION (GRADATION MIXTURE)	IL 9.5		IL 19.0	2.0%@Ndes=30
FRICTION AGG	MIXTURE "C"	MIXTURE "C"	MIXTURE "B"	BAM

TOP LIFT SHOULDERS - DESIGN THIS MIX AT 2% VOIDS AND ADD ASPHALT TO REDUCE VOIDS TO 1.5%.

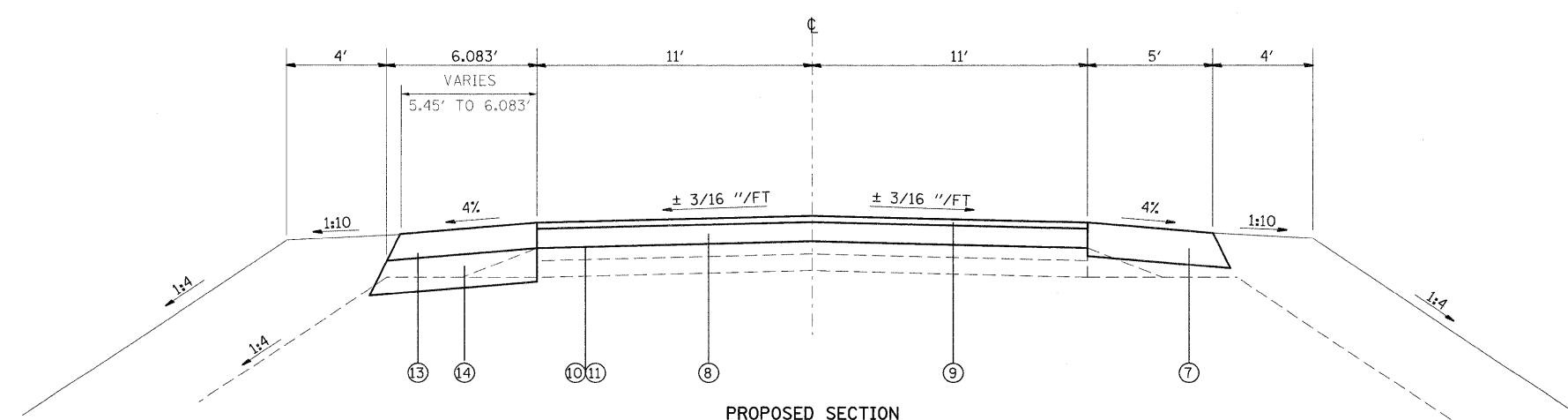
PLAN QUANTITIES FOR HOT-MIX ASPHALT SURFACE COURSE ITEMS ARE CALCULATED USING A UNIT WEIGHT OF 112 LB/SQ YD/IN.



EXISTING SECTION
 STA 234+37.5 TO STA 236+83.5
 STA 237+16.5 TO STA 239+62.5



PRE-STAGE TYPICAL SECTION
 STA 234+37.5 TO STA 236+75.1
 STA 237+16 TO STA 239+62.5



PROPOSED SECTION
 STA 234+37.5 TO STA 236+35
 STA 237+65 TO STA 239+62.5

LEGEND

- ① EXISTING OIL AND CHIP
- ② EXISTING BITUMINOUS SURFACE TREATMENT, CLASS A-1
- ③ EXISTING AGGREGATE SHOULDERS
- ④ EXISTING EARTH SHOULDERS
- ⑤ EXISTING AGGREGATE SURFACE COURSE, TYPE 1 4"
- ⑥ EXISTING OIL AND CHIP ± 3"
- ⑦ PROPOSED HOT-MIX ASPHALT SHOULDERS 8"
- ⑧ PROPOSED HOT-MIX ASPHALT BINDER COURSE - 2 1/4" AND VARIES
- ⑨ PROPOSED HOT-MIX ASPHALT SURFACE COURSE - 1 1/2" AND VARIES
- ⑩ PROPOSED BITUMINOUS MATERIALS (PRIME COAT)
- ⑪ PROPOSED AGGREGATE (PRIME COAT)
- ⑫ PROPOSED AGGREGATE SHOULDERS
- ⑬ PROPOSED HOT-MIX ASPHALT SHOULDERS, VARIES 0 TO 15 3/4"
- ⑭ PROPOSED HOT-MIX ASPHALT BASE COURSE WIDENING, 9"

NOTE: NOT TO SCALE

FILE NAME =	USER NAME = therpr1	DESIGNED -	REVISED -	STATE OF ILLINOIS DEPARTMENT OF TRANSPORTATION	TYPICAL SECTIONS SN 031-0010(E) 0039(P), SECTION 1BR	F.A.S. RTE.	SECTION	COUNTY	TOTAL SHEETS	SHEET NO.
c:\pwwork\pwwork\therpr1\dms52692\087610-sh-typical.dgn		DRAWN -	REVISED -			739	1BR, 1-2BR, 401-2BR	GREENE	150	109
PLOT SCALE = 50,000' / IN.		CHECKED -	REVISED -			CONTRACT NO. 76410				
PLOT DATE = 3/25/2010		DATE -	REVISED -			FED. ROAD DIST. NO. ILLINOIS FED. AID PROJECT				