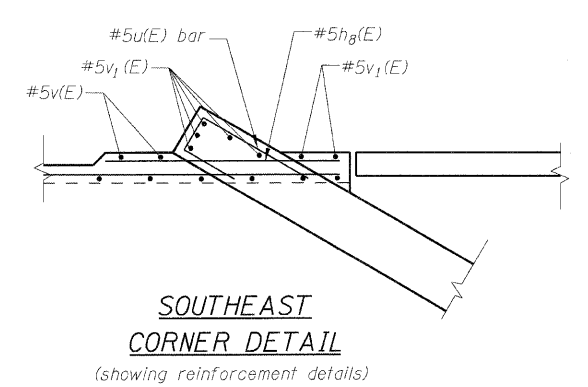
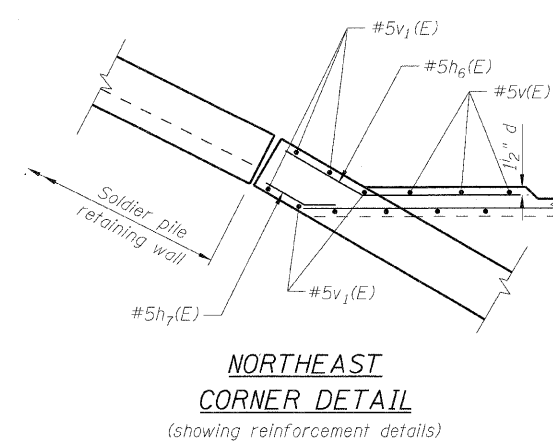
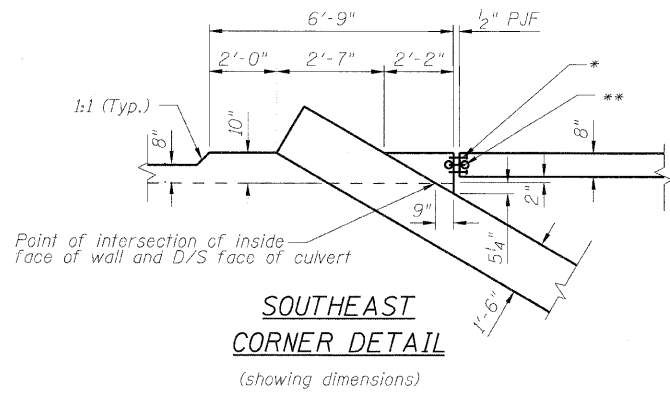
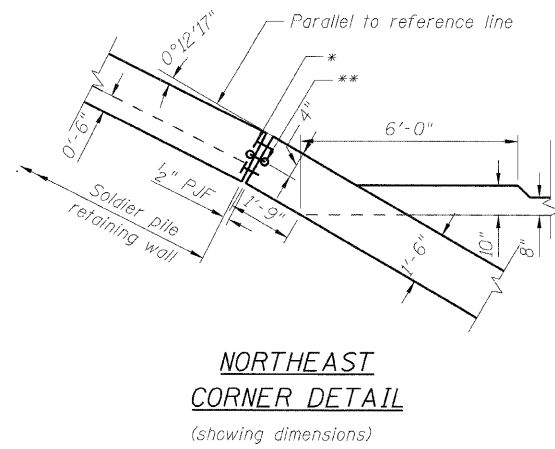
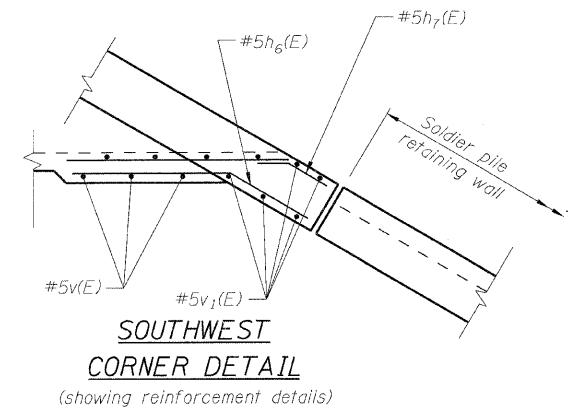
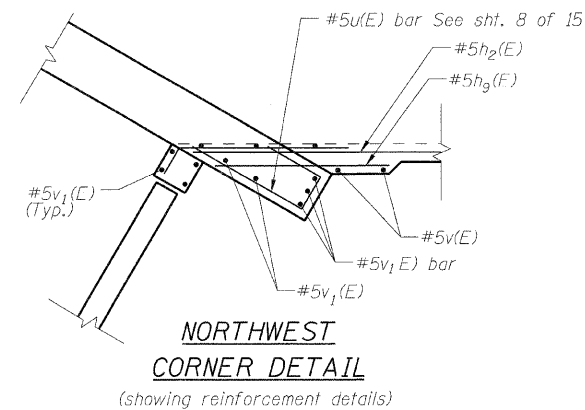
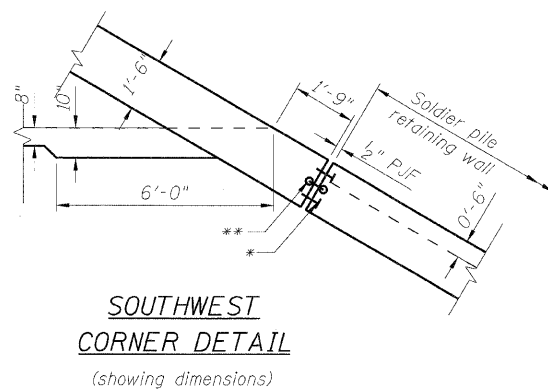
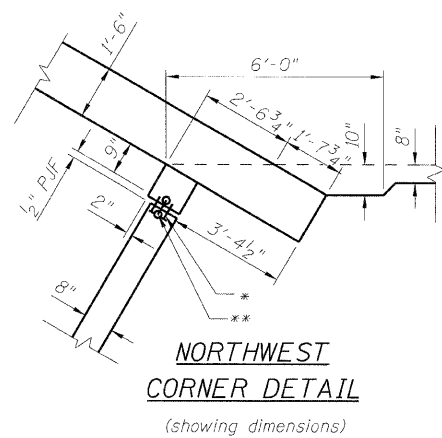


STATE OF ILLINOIS  
DEPARTMENT OF TRANSPORTATION

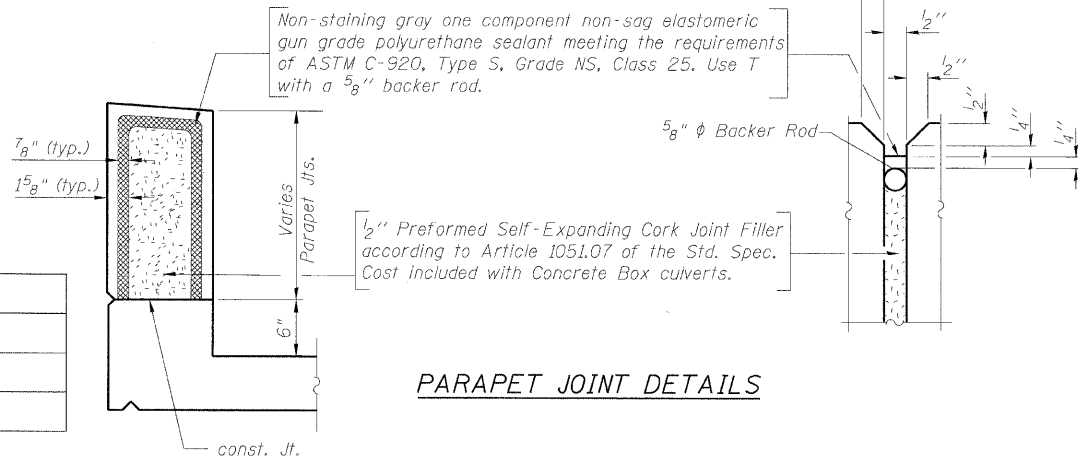
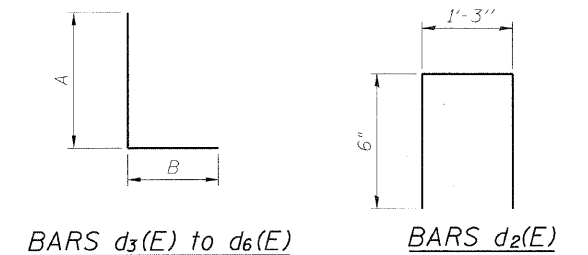
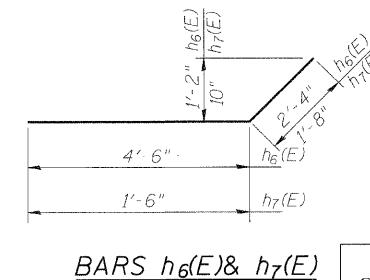
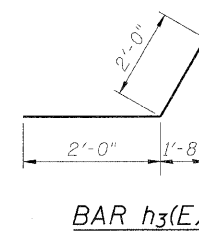
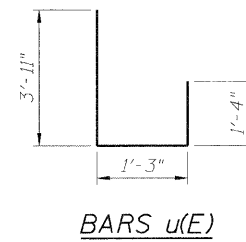


- \* Concrete nails (flat head C.S.) 1" long at 12" cts. vertical
- \*\* 6" Hollow bulb dumb bell type nonmetallic water seal (6" from top of wall to top of Apron floor) cost included with concrete structures.



**BAR DIMENSIONS**

Bar	A	B
d <sub>3</sub> (E)	1'-8"	1'-0"
d <sub>4</sub> (E)	1'-8"	8"
d <sub>5</sub> (E)	2'-9"	1'-0"
d <sub>6</sub> (E)	2'-9"	8"



DESIGNED - KRG
CHECKED - MJK
DRAWN - GSJ
CHECKED - MJK

**CULVERT DETAILS**  
STRUCTURE NO: 082-2044

SHEET NO. 7 15 SHEETS	F.A.P. RTE.	SECTION	COUNTY	TOTAL SHEETS	SHEET NO.
	600	60-(30,31,128)-1	St. Clair	399	248
STRUCTURE NO: 082-2044			CONTRACT NO. 76830		
FED. ROAD DIST. NO. - ILLINOIS FED. AID PROJECT					

MID-AMERICA ENGINEERING SERVICES