

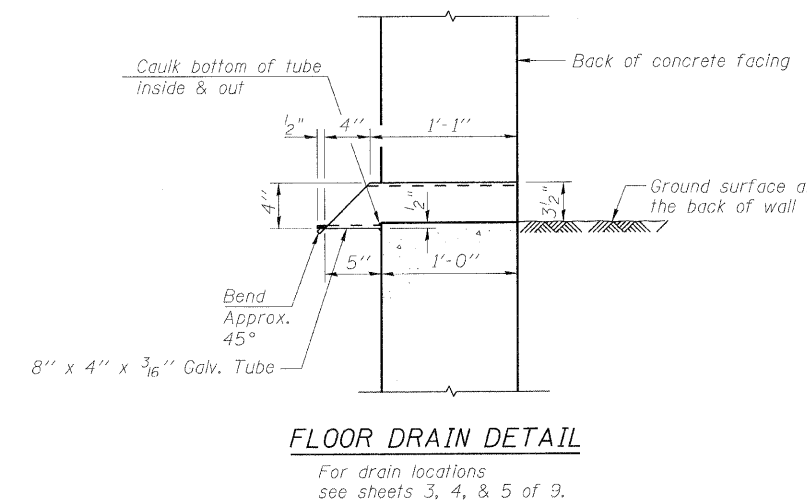
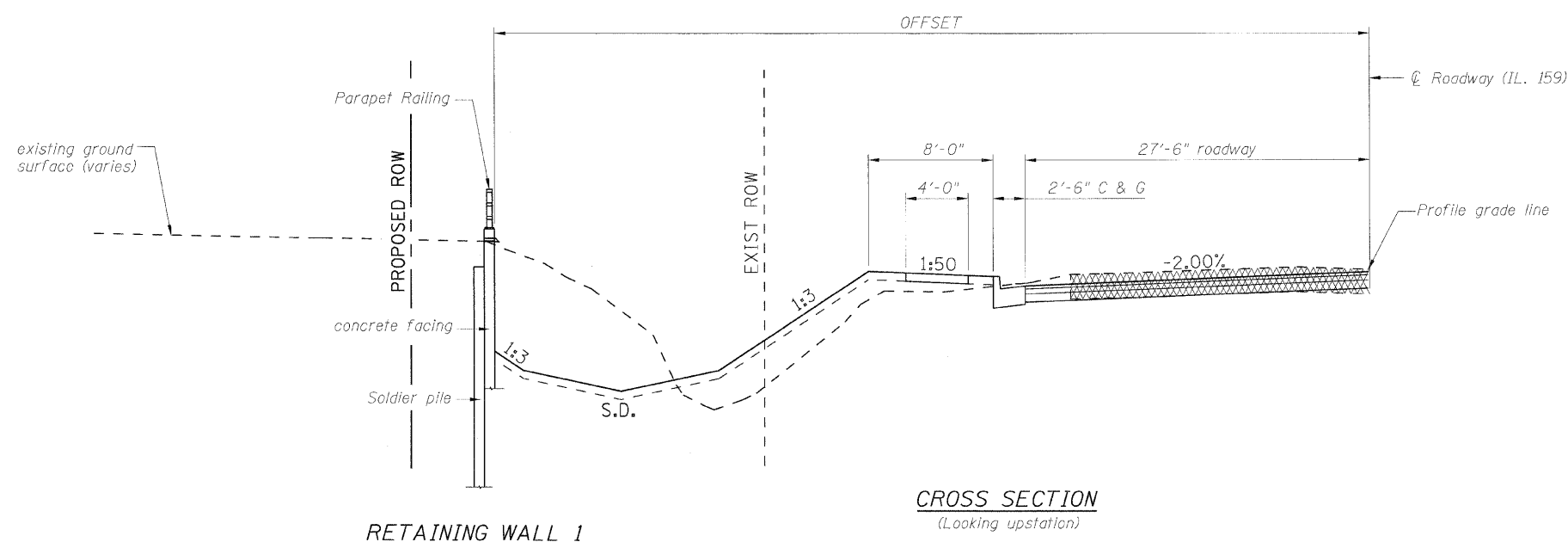
STATE OF ILLINOIS
DEPARTMENT OF TRANSPORTATION

TOTAL BILL OF MATERIAL

Item	Unit	Quantity
Structure Excavation	Cu. Yd.	119
Concrete Structures	Cu. Yd.	58.0
Stud Shear connectors	Each	456
Reinforcement Bars, Epoxy Coated	Pound	6780
Parapet Railing,	Foot	172
Geocomposite Wall Drain	Sq. Yd.	44
Pipe Underdrains for Structures, 4"	Foot	175
Furnishing Soldier Piles(Built-up section)	Foot	122
Furnishing Soldier Piles(w section)	Foot	786
Drilling and setting Soldier piles (in soil)	Cu. Ft.	6610
Untreated Timber Lagging	Sq. Ft.	662
Floor Drains	Each	8

GENERAL NOTES

1. Reinforcement bars shall conform to the requirements of ASTM A 706 Gr 60. See Special Provisions.
2. Reinforcement bars designated (E) shall be epoxy coated.
3. All exposed edges of concrete shall be bevelled $\frac{3}{4}$ ".
4. The geocomposite wall drain shall be constructed according to section 591 of the Standard Specifications. The contractor shall insure that the bottom, sides and the top edges are protected from soil entering or sealing the drain while placing the pervious fabric side of the drain towards the soil. Geocomposite wall drain shall be installed in stages as the excavation process proceeds downward. Splicing should be minimized, following proper splice practices to insure no long term soil contamination.
5. The buildings behind the retaining wall are susceptible to damage and the contractor shall not leave the excavations unsupported during construction as specified in the special provisions by using the top down placement of the lagging.



DESIGNED - KRG
CHECKED - MJK
DRAWN - GSJ
CHECKED - MJK

GENERAL NOTES, CROSS SECTION & TOTAL BILL MATERIAL

SHEET NO. 2	F.A.P. RTE.	SECTION	COUNTY	TOTAL SHEETS	SHEET NO.
9 SHEETS	600	60-(30,31,128)-1	St. Clair/Madison	399	258
RETAINING WALL 1			CONTRACT NO. 76830		
FED. ROAD DIST. NO. ILLINOIS FED. AID PROJECT					

Rev. MID-AMERICA ENGINEERING SERVICES