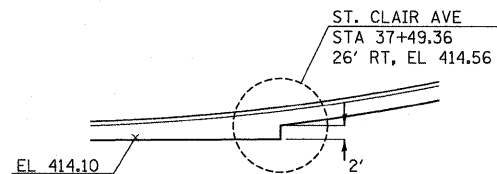
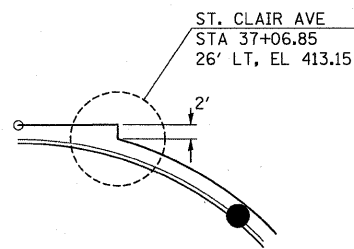


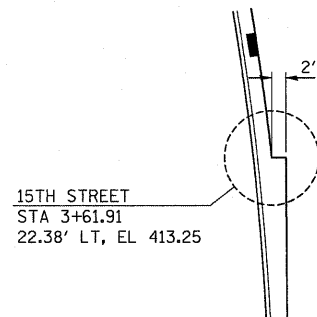
DETAIL "A"



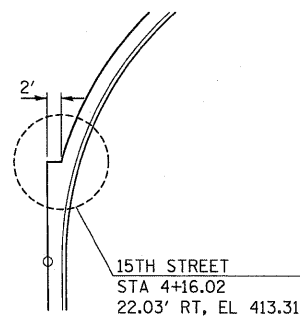
DETAIL "B"



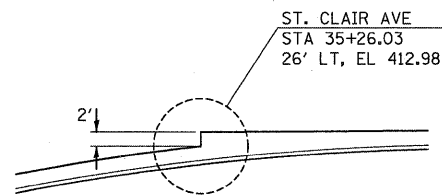
DETAIL "C"



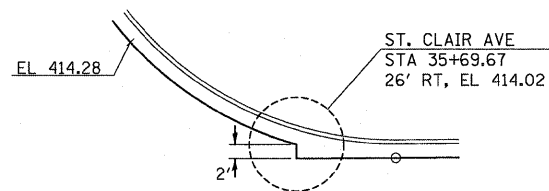
DETAIL "D"



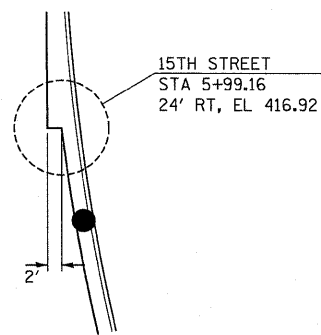
DETAIL "E"



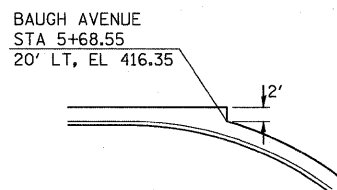
DETAIL "F"



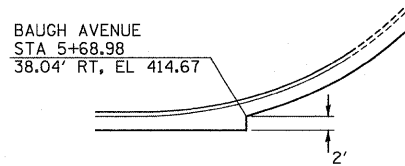
DETAIL "G"



DETAIL "H"



DETAIL "I"



DETAIL "M"

	CURVE DESIGNATION	ROADWAY/STATION	OFFSET	PAVEMENT ELEVATION
1	PT C1-2	3+21.96 (15TH STREET)	20.38' LT (15TH STREET)	413.50
2	PCC C1-2	4+25.92 (15TH STREET)/ 36+72.57 (ST. CLAIR AVE)	34.13' LT (15TH STREET)/ 60.97' LT (ST. CLAIR AVE)	413.30 (HIGH PNT)
3	PC C1-2	37+20.85 (ST. CLAIR AVE)	24.00' LT (ST. CLAIR AVE)	413.43
4	PT C3-4	37+84.16 (ST. CLAIR AVE)	24.00' RT (ST. CLAIR AVE)	414.32
6	PCC C3-4	36+96.03 (ST. CLAIR AVE)	37.07' RT (ST. CLAIR AVE)	414.93
7	N/A	5+36.52 (15TH STREET)/ 36+75.12 (ST. CLAIR AVE)	36.60' LT (15TH STREET)/ 49.63' RT (ST. CLAIR AVE)	415.33
8	PC C3-4	5+71.83 (15TH STREET)	22.00' LT (15TH STREET)	416.11
9	PC C5-6	35+55.67 (ST. CLAIR AVE)	24.00' RT (ST. CLAIR AVE)	413.99
10	N/A	5+27.51 (15TH STREET)/ 35+92.96 (ST. CLAIR AVE)	45.57' RT (15TH STREET)/ 40.69' RT (ST. CLAIR AVE)	415.22
11	PCC C5-6	5+46.20 (15TH STREET)	35.06' RT (15TH STREET)	415.66
12	PT C5-6	6+33.75 (15TH STREET)	22.00' RT (15TH STREET)	418.03
13	PC C7-8	4+02.02 (15TH STREET)	20.03' RT (15TH STREET)	413.19
14	N/A	4+42.37 (15TH STREET)/ 35+97.94 (ST. CLAIR AVE)	40.50' RT (15TH STREET)/ 44.46' LT (ST. CLAIR AVE)	413.58 (HIGH PNT)
15	PCC C7-8	35+81.66 (ST. CLAIR AVE)	36.58' LT (ST. CLAIR AVE)	413.41
16	PT C7-8	34+88.67 (ST. CLAIR AVE)	24.00' LT (ST. CLAIR AVE)	412.86
17	PC C9-10	9+06.70 (15TH STREET)	29.00' LT (15TH STREET)	417.64
18	PCC C9-10	9+33.25 (15TH STREET)/ 5+40.41 (BAUGH AVE)	40.72' LT (15TH STREET)/ 41.08' LT (BAUGH AVE)	417.06
19	PT C9-10	5+83.42 (BAUGH AVE)	18.00' RT (BAUGH AVE)	415.32
20	PC C11	5+83.68 (BAUGH AVE)	36.04' RT (BAUGH AVE)	414.52
21	N/A	10+33.29 (15TH STREET)/ 5+38.99 (ST. CLAIR AVE)	38.55' LT (15TH STREET)/ 58.98' RT (ST. CLAIR AVE)	415.06 (HIGH PNT)
22	PT C11	10+65.69 (15TH STREET)	28.00' LT (15TH STREET)	414.95
23	PC C12	110+59.40 (BAUGH AVE)	20.00' LT (BAUGH AVE)	414.76
24	N/A	10+10.63 (15TH STREET)/ 110+31.26 (BAUGH AVE)	31.57' RT (15TH STREET)/ 31.57' LT (BAUGH AVE)	414.92
25	PT C12	10+38.77 (15TH STREET)	20.00' RT (15TH STREET)	415.07
26	PC C13	9+40.89 (15TH STREET)	22.00' RT (15TH STREET)	417.00
27	PT C13	110+47.38 (BAUGH AVE)	13.00' RT (BAUGH AVE)	416.20