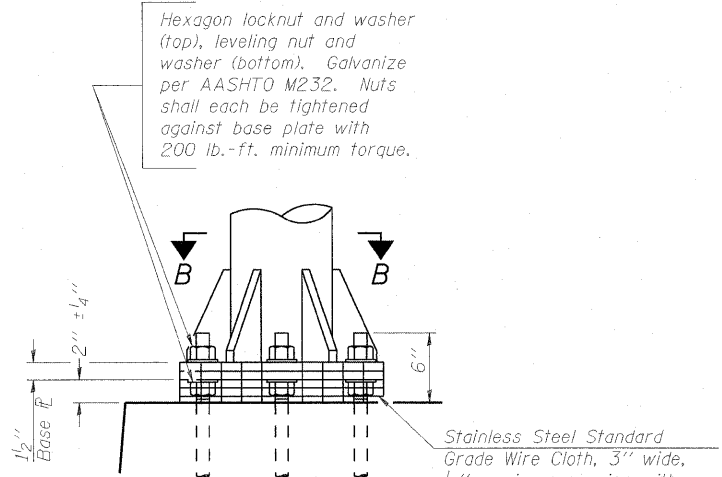
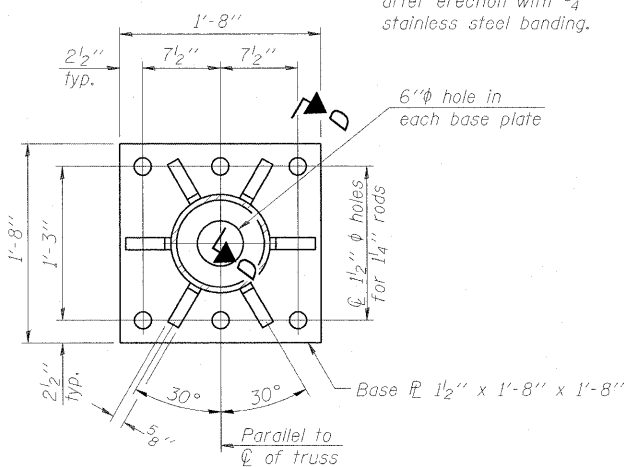


STATE OF ILLINOIS
DEPARTMENT OF TRANSPORTATION

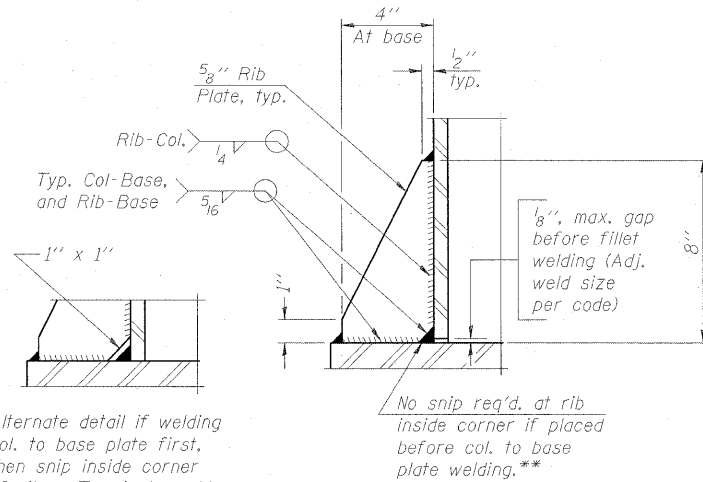


DETAIL B

Ribs shall be cut to fit slope of pipe.
Stainless Steel Standard Grade Wire Cloth, 3" wide, 1/4" maximum opening with a minimum wire diameter of AWG. No. 16 with a minimum 2" lap. Secure to base plate after erection with 3/4" stainless steel banding.

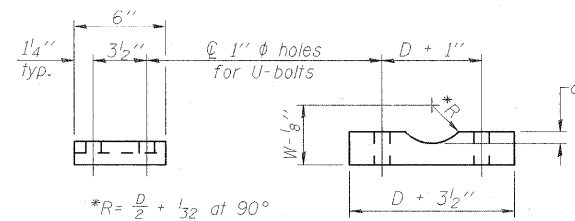


SECTION B-B



SECTION D-D

** Alternate detail if welding col. to base plate first, then snip inside corner of ribs. Terminate weld on rib 1/4" from snip.

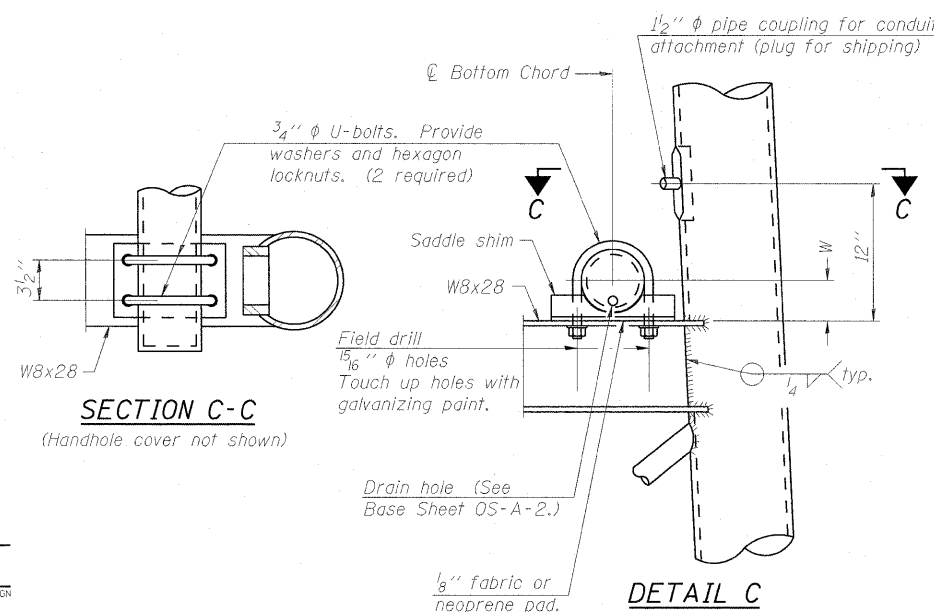


SADDLE SHIM DETAIL

ASTM B26 Alloy 356-F
or
ASTM B209 Alloy 6061-T651
(4 required per sign truss)

Truss Chord Nominal Dia.	a
5"	3/4"
5 1/2"	13/16"
6"	7/8"
6 1/2"	15/16"
7"	1"

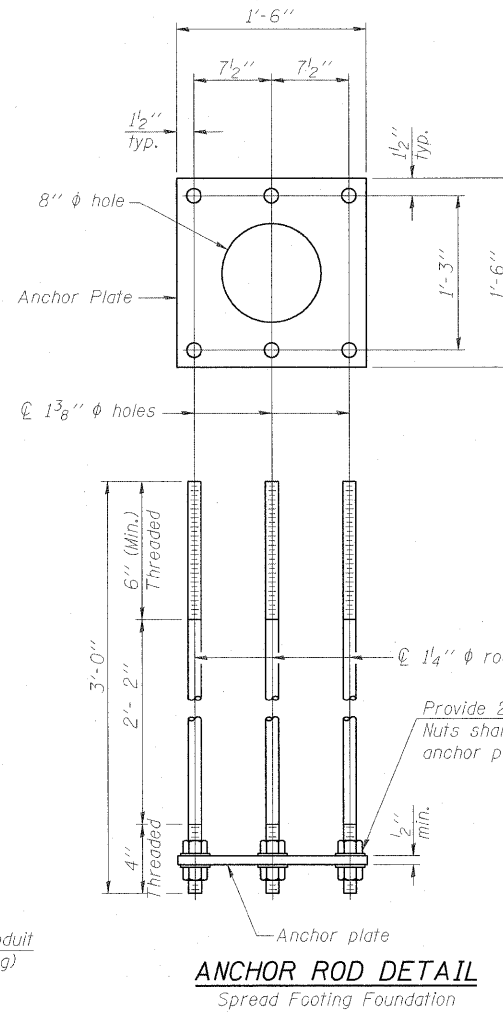
NUMBER	REVISION	DATE



SECTION C-C

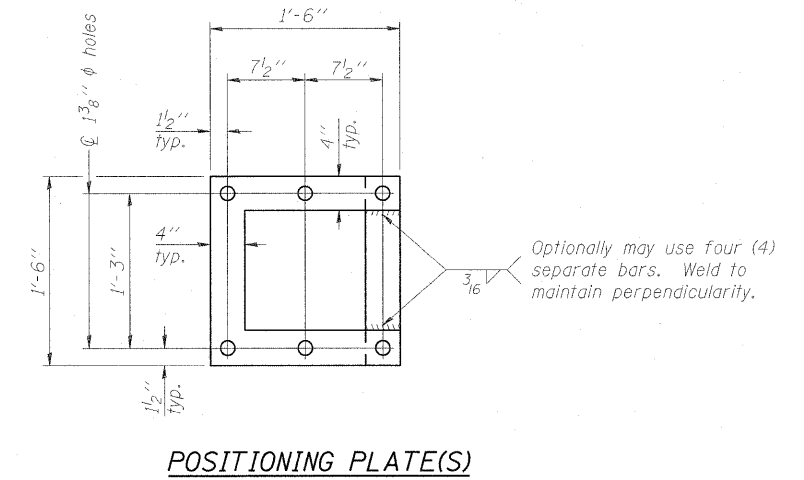
(Handhole cover not shown)

DETAIL C

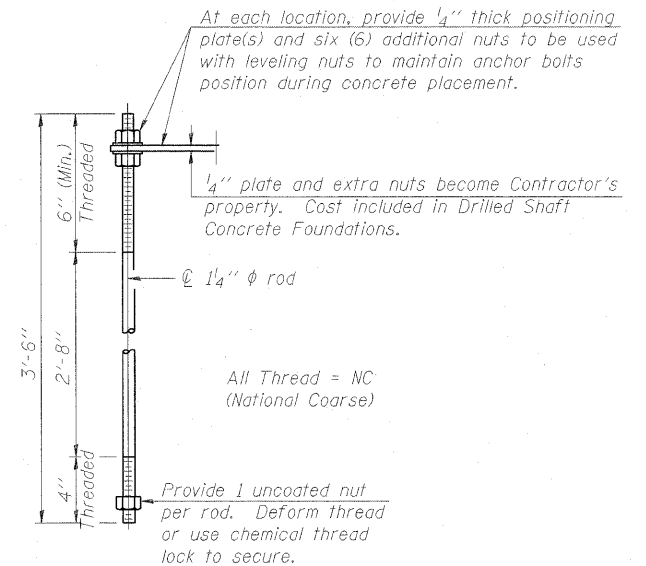


ANCHOR ROD DETAIL
Spread Footing Foundation

All Thread = NC (National Coarse)



POSITIONING PLATE(S)



ANCHOR ROD DETAIL
Drilled Shaft Foundation

All Thread = NC (National Coarse)

Provide 1 uncoated nut per rod. Deform thread or use chemical thread lock to secure.

10" Ø PIPE SUPPORT FRAME DETAILS

Anchor rods shall conform to AASHTO M314 Grade 36 or 50 and meet Charpy V-Notch (CVN) energy of 15 lb.-ft. at 40° F. Galvanize upper 12" per AASHTO M232. No welding shall be permitted on rods.

DESIGNED TGF	200
CHECKED MPW	EXAMINED
DRAWN TGF	PASSED
CHECKED MPW	ENGINEER OF BRIDGES AND STRUCTURES

OS-A-6A 12-1-08

OVERHEAD SIGN STRUCTURES
SUPPORT FRAME DETAILS ALUMINUM TRUSS

SHEET NO.	F.A. RTE.	SECTION	COUNTY	TOTAL SHEETS	SHEET NO.
64	82-1-2HB	ST. CLAIR	345	160	CONTRACT NO. 76C49
FED ROAD DIST. NO. ILLINOIS FED. AID PROJECT					