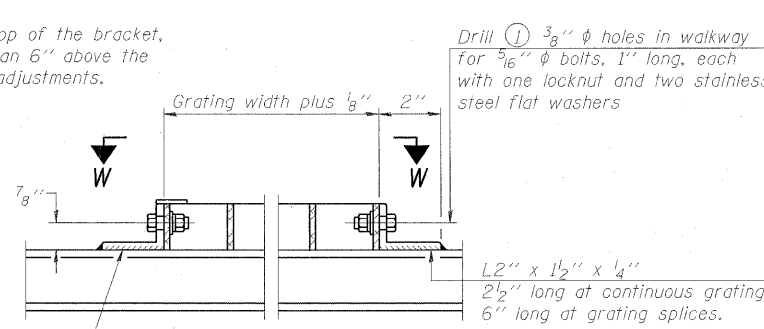
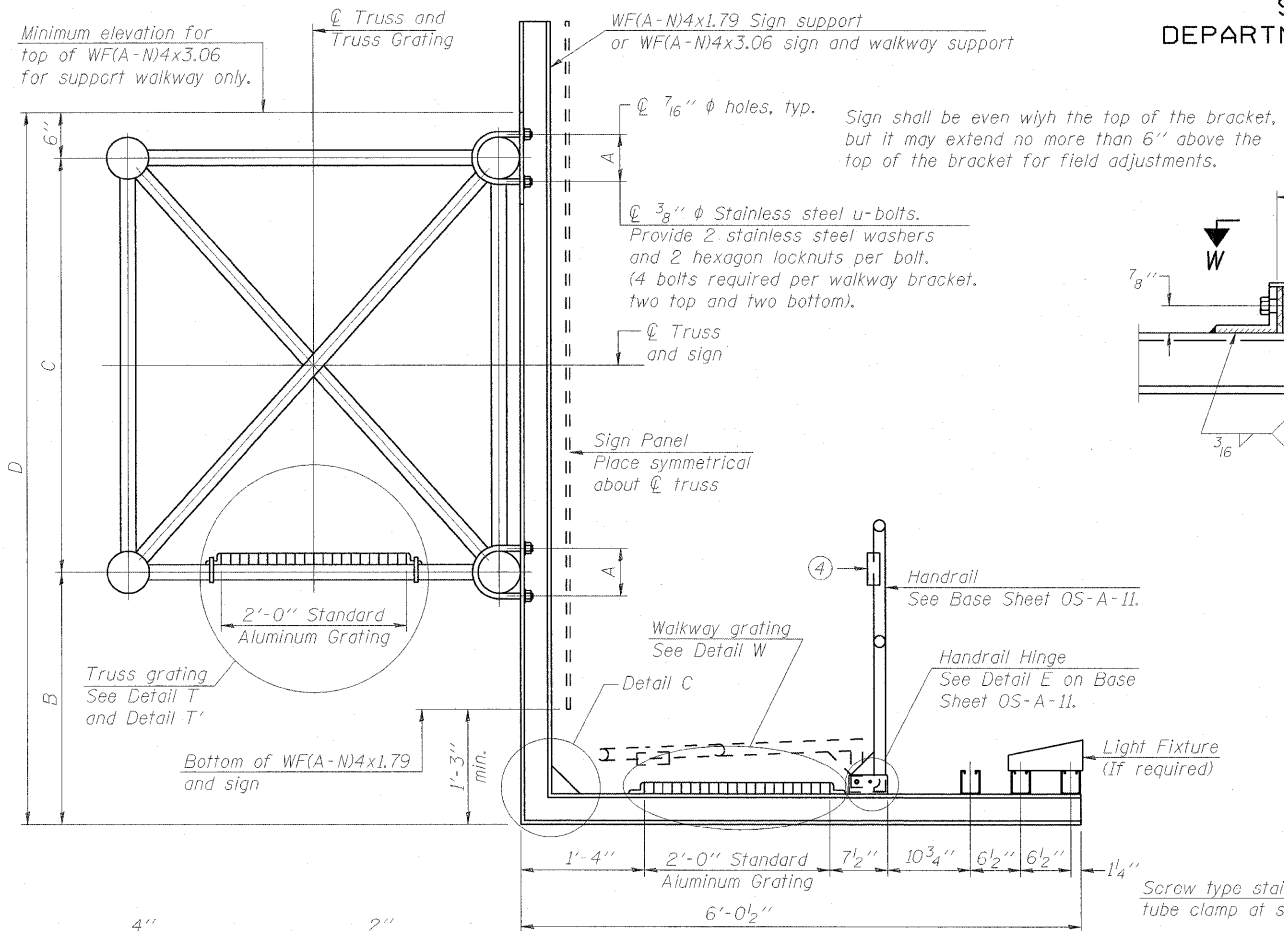
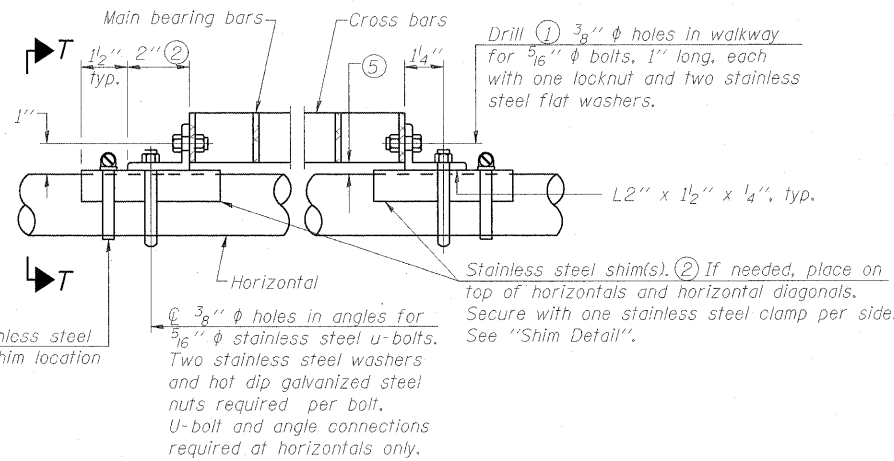


STATE OF ILLINOIS
DEPARTMENT OF TRANSPORTATION



DETAIL W
(Walkway grating)



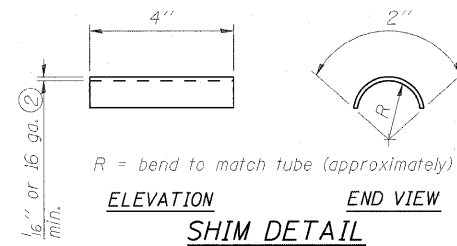
DETAIL T
(Continuous Truss grating)

SPECIFICATIONS FOR STANDARD ALUMINUM GRATING

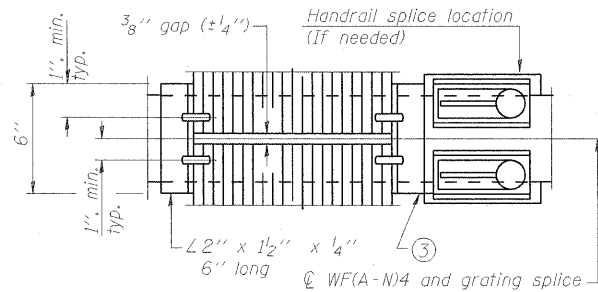
Main Bearing Bars shall be 3/16" x 1 1/2" on 1 3/8" centers and conform to ASTM B221 Alloy 6061-T6.
Cross bars shall be 3/16" x 1 1/2" on 4" centers and conform to ASTM B221 Alloy 6063-T5 or 6061-T6.

OR

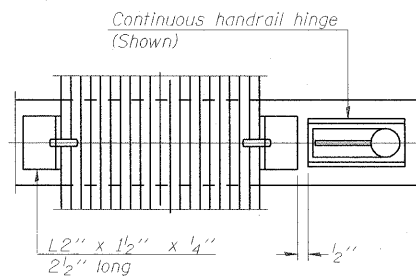
Aluminum Grating with modified "4" sections for main bearing bars shall meet the following requirements:
Main bars shall conform to ASTM B221 Alloy 6061-T6 and have a minimum section modulus equal to 0.0705 in.³ per bar, a depth of 1 1/2", spaced on 1 3/8" centers.
Cross bars shall conform to ASTM B221 Alloy 6063-T5 or T-42 and spaced on 4" centers.



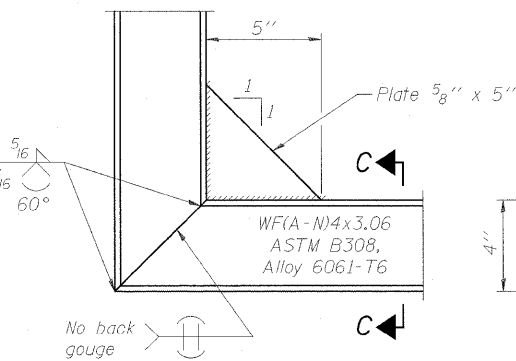
SECTION B-B



(AT WALKWAY GRATING SPLICE)



SECTION W-W



DETAIL C

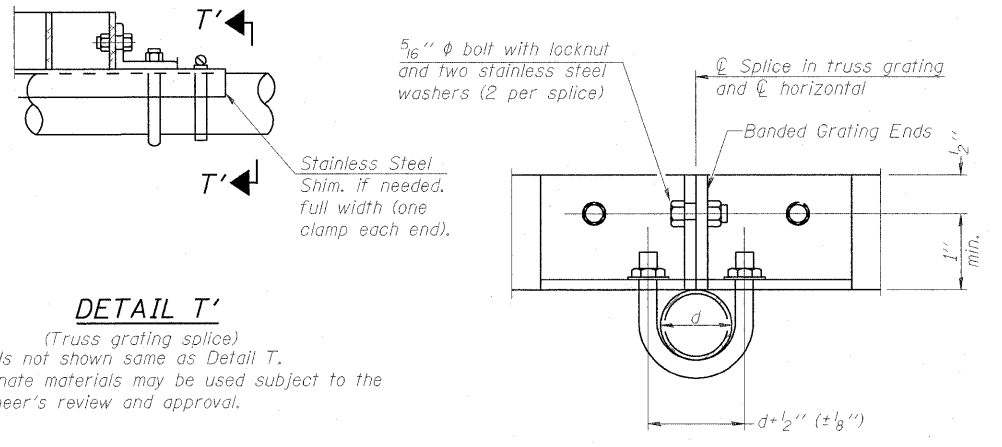
SECTION C-C

DESIGNED	TGF
CHECKED	MPW
DRAWN	TGF
CHECKED	MPW

200	EXAMINED
	PASSED

NUMBER	REVISION	DATE

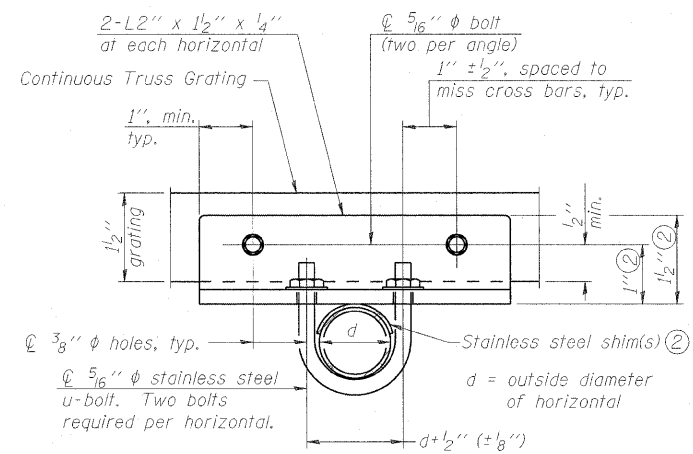
Structure Number	Station	A	B	C	D
ST CLAIR ST	34+75.00	6"	8'-3"	5'-3"	14'-0"
8S082I64L003.4	93+20.00	7 1/2"	7'-3"	7'-0"	14'-9"



DETAIL T'

(Truss grating splice)
Details not shown same as Detail T.
Alternate materials may be used subject to the Engineer's review and approval.

SECTION T'-T'



SECTION T-T

- Drilling holes in grating may be done in shop or field, based on Contractor's preference and subject to accurate alignment.
- Stainless steel shims shall be placed as shown in Detail T if needed to compensate for alignment variations between horizontal and diagonal pipes beyond adjustment provided by angles. Thicker shims may be used subject to shims performing properly.
- If Handrail Joint present, weld angle to WF(A-N)4 and 1/4" extension bars. (See Base Sheet OS-A-11.)
- 1/8" x 1/2" x 2" welded to handrail posts to protect locations that contact grating.
- Tube to grating gap may vary from 0 to 1/2", max. to align walkway, allow for camber, etc.
- Based on actual height of tallest sign given on OS-A-1.

OVERHEAD SIGN STRUCTURES ALUMINUM WALKWAY DETAILS					
SHEET NO.	F.A. RTE.	SECTION	COUNTY	TOTAL SHEETS	SHEET NO.
64		82-1-2HB	ST. CLAIR	345	164
CONTRACT NO. 76C49					
FED ROAD DIST. NO. ILLINOIS FED. AID PROJECT					