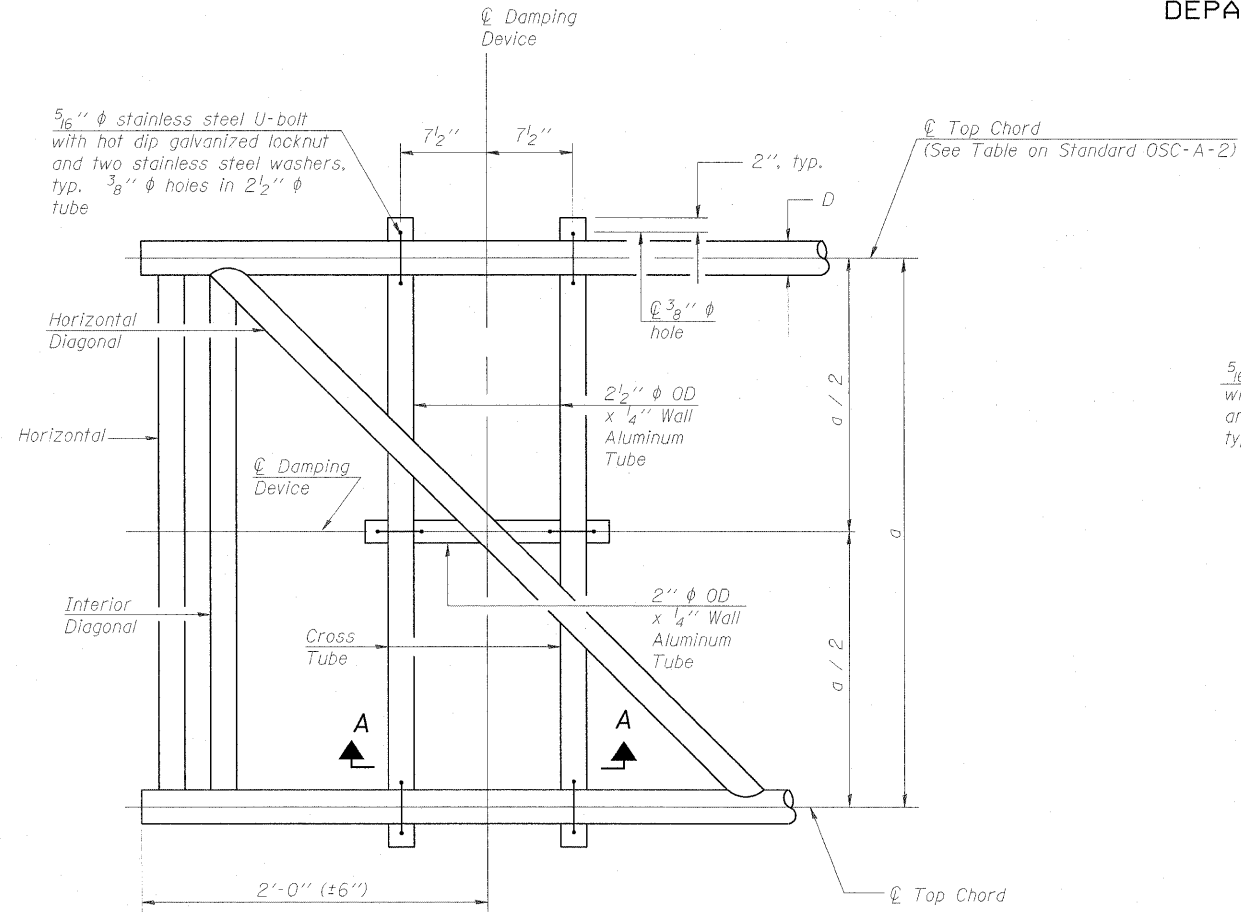
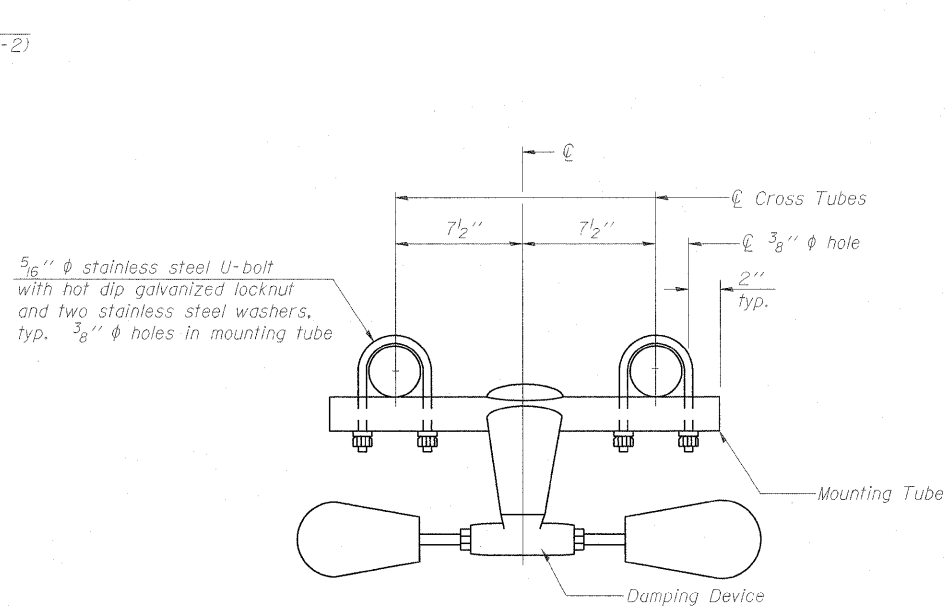


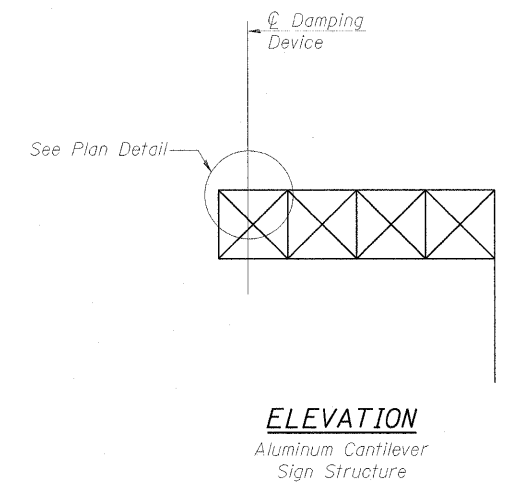
STATE OF ILLINOIS
DEPARTMENT OF TRANSPORTATION



PLAN DETAIL



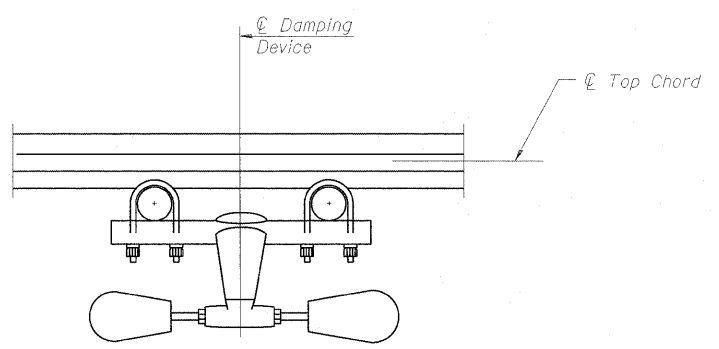
TRUSS DAMPING
DEVICE CONNECTION DETAIL



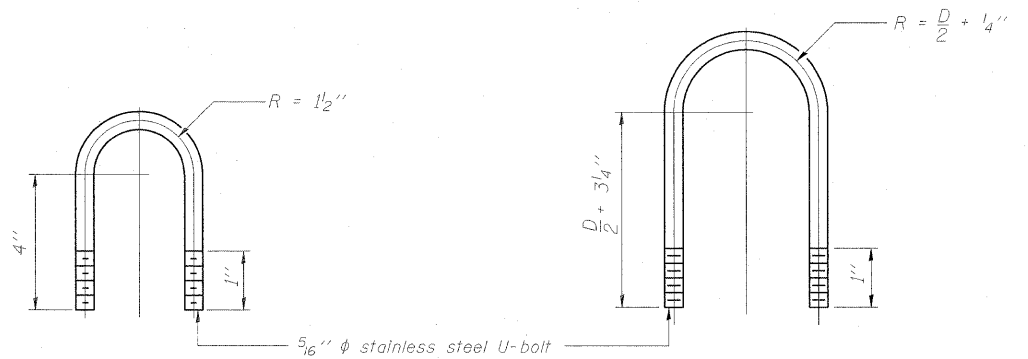
ELEVATION
Aluminum Cantilever
Sign Structure

GENERAL NOTES

- Damper: One damper per truss. (31 lbs. Stockbridge-Type Aluminum-29" minimum between ends of weights)
- Materials: Aluminum tubes shall be ASTM B221 alloy 6061 temper T6



SECTION A-A



DAMPING DEVICE MOUNTING
TUBE U-BOLT DETAIL
(Typical)

TOP CHORD TO CROSS TUBE
U-BOLT DETAIL
(Typical)

DESIGNED TGF	200
CHECKED MPW	EXAMINED
DRAWN TGF	PASSED
CHECKED MPW	ENGINEER OF BRIDGES AND STRUCTURES

OSC-A-D 12-1-08

CANTILEVER SIGN STRUCTURE DAMPING DEVICE				
SHEET NO.	F.A. RTE.	SECTION	COUNTY	TOTAL SHEETS
SHEETS	64	82-1-2HB	ST. CLAIR	345
CONTRACT NO. 76C49				
FED ROAD DIST. NO. ILLINOIS FED. AID PROJECT				