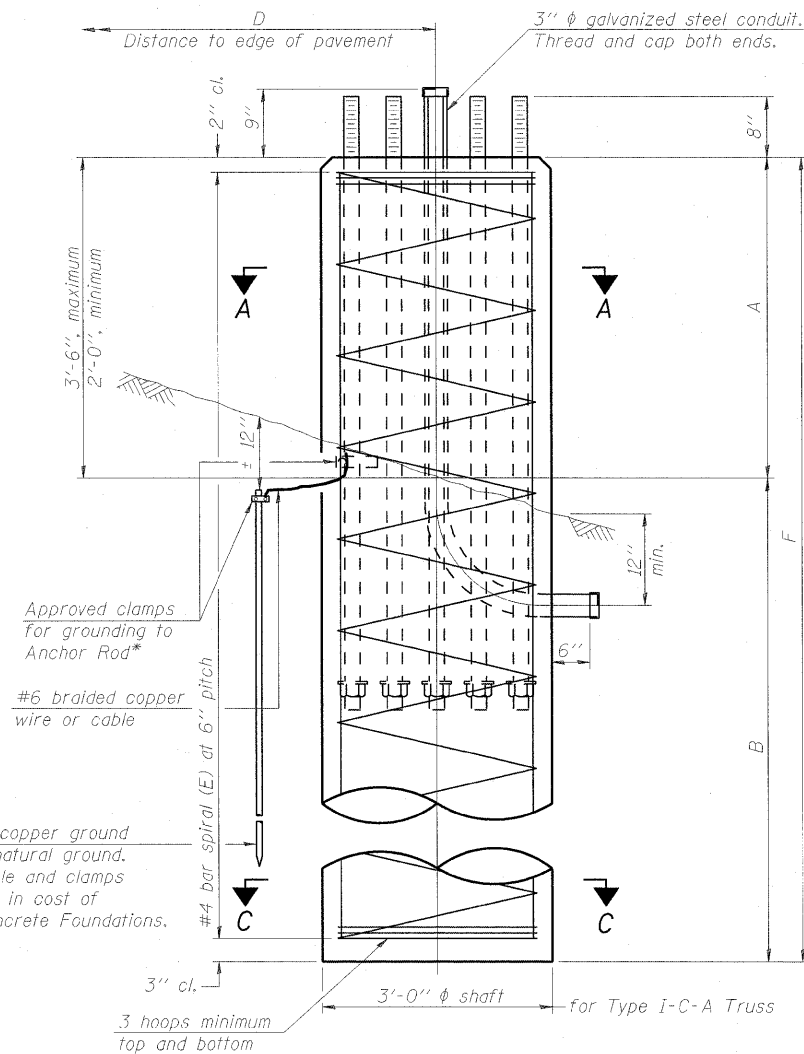
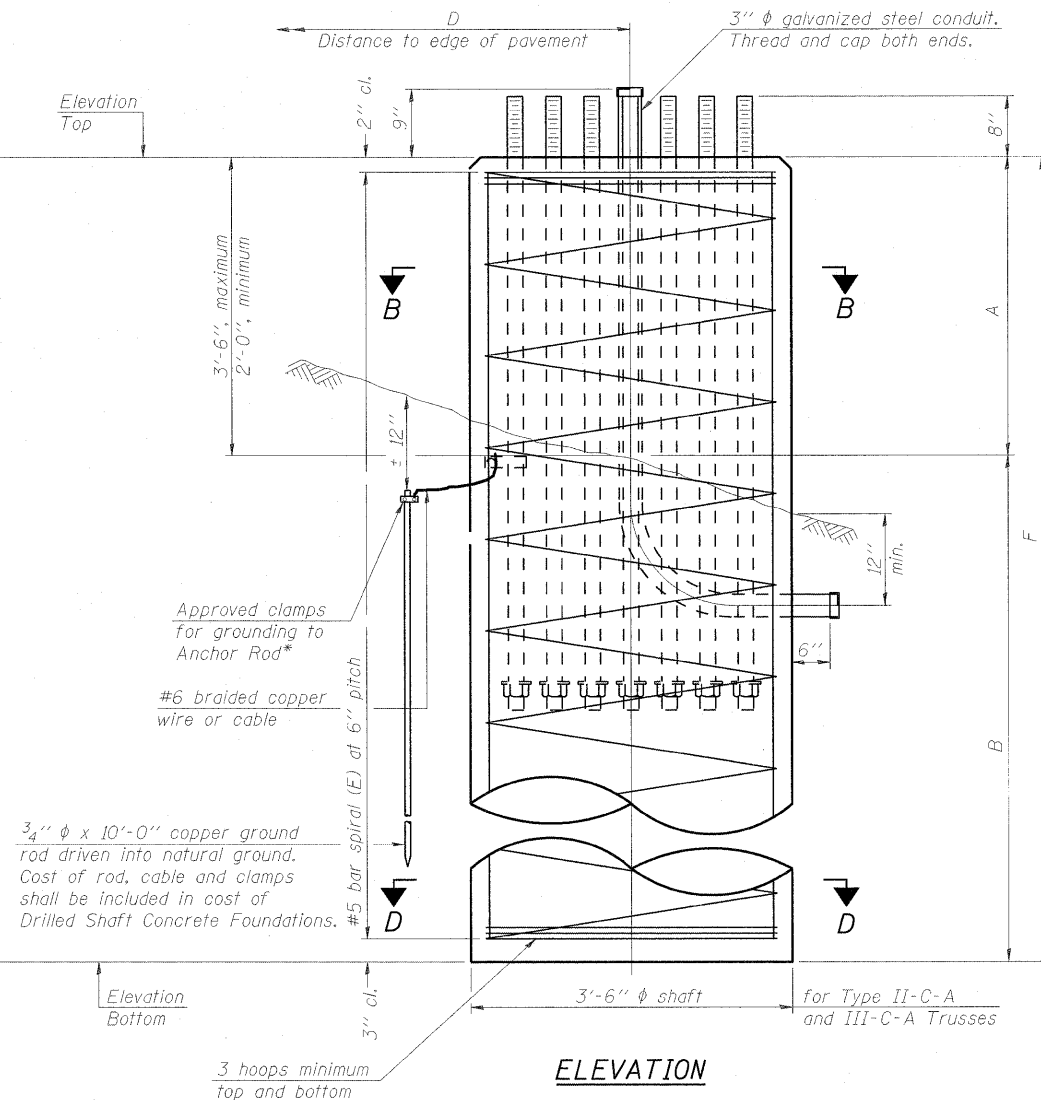


STATE OF ILLINOIS
DEPARTMENT OF TRANSPORTATION

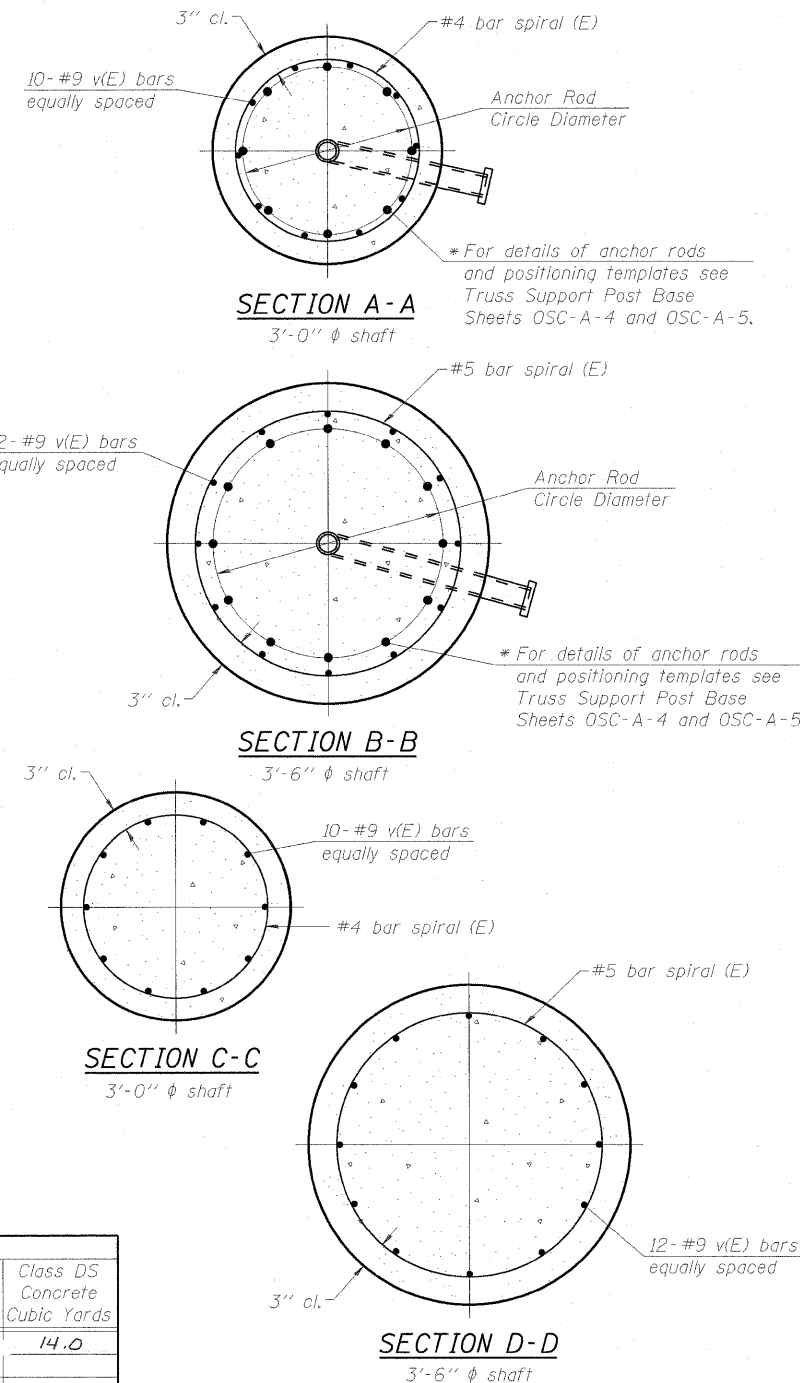
* Grind anchor rod to bright finish at ground clamp location before installing clamp.



ELEVATION



ELEVATION



NOTES:

This foundation is a special design and based on soil borings. If the conditions encountered are different than those indicated, the Contractor shall notify the Engineer to determine if the foundation dimensions need to be modified. If dimensions "B" or "F" are revised by more than 12" by the Contractor, "as-built" plans shall be prepared and submitted to the District Bureau of Operations for future reference. A normal surface finish followed by a Bridge Seat Sealer application will be required on concrete surfaces above the lowest elevation 6" below finished ground line. Cost included in Drilled Shaft Concrete Foundation. Ground water is expected to be encountered at elev 400; the contractor is responsible for placing a monolithic concrete pour for the shaft, with no construction joints, voids or soil-water intrusion. The contractor may decide to drill the shaft with casing in the wet or with drilling fluid. The concrete must be pumped, not tremied, to the bottom of the casing. All water or drilling fluid must be displaced by the concrete pumping prior to casing removal.

FOUNDATION DATA TABLE

Structure Number	Station	Truss Type	Shaft Diameter	Elevation Top	Elevation Bottom	A	B	F	Class DS Concrete Cubic Yards
8C082164R003.2	10+00.00	II-C-A	3.5	396.50	375.25	3.25	36.00	39.25	14.0

FOUNDATION DESIGN TABLE

Truss Type	Post Base Sheet	Maximum Cantilever Length (ft)	Maximum Total Sign Area (sq ft)	Shaft Diameter (in)	"B" Depth (ft)	Anchor Rods		Anchor Rod Circle Diameter (in)
						No.	Diameter (in)	
I-C-A	OSC-A-4	25	170	3.0	16.0	8	2	22
II-C-A	OSC-A-5	30	170	3.5	17.0	12	2	30
II-C-A	OSC-A-5	30	340	3.5	21.5	12	2	30
III-C-A	OSC-A-5	35	170	3.5	19.0	12	2	30
III-C-A	OSC-A-5	35	250	3.5	22.5	12	2	30
III-C-A	OSC-A-5	35	400	3.5	26.5	12	2	30
III-C-A	OSC-A-5	40	400	3.5	32.0	12	2	30

CANTILEVER SIGN STRUCTURES
DRILLED SHAFT
ALUMINUM TRUSS & STEEL POST

DESIGNED VAM
CHECKED MPW
DRAWN TGF
CHECKED MPW

EXAMINED	200
PASSED	ENGINEER OF BRIDGE DESIGN
	ENGINEER OF BRIDGES AND STRUCTURES

NUMBER	REVISION	DATE

SHEET NO.	F.A. RTE.	SECTION	COUNTY	TOTAL SHEETS	SHEET NO.
	64	82-1-2HB	ST. CLAIR	345	176
SHEETS	CONTRACT NO. 76C49				
	FED ROAD DIST. NO. ILLINOIS FED. AID PROJECT				

Rev.