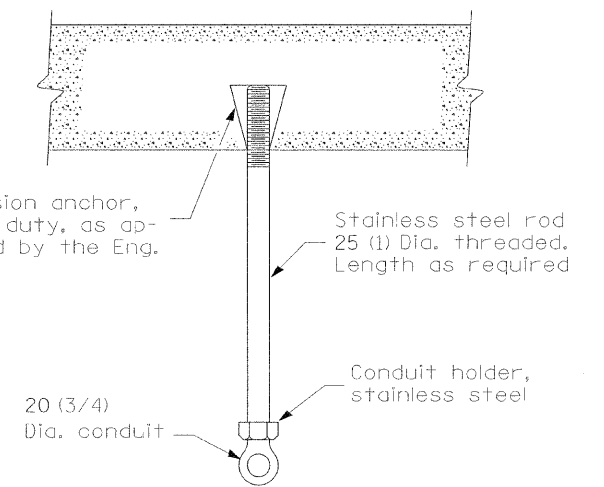
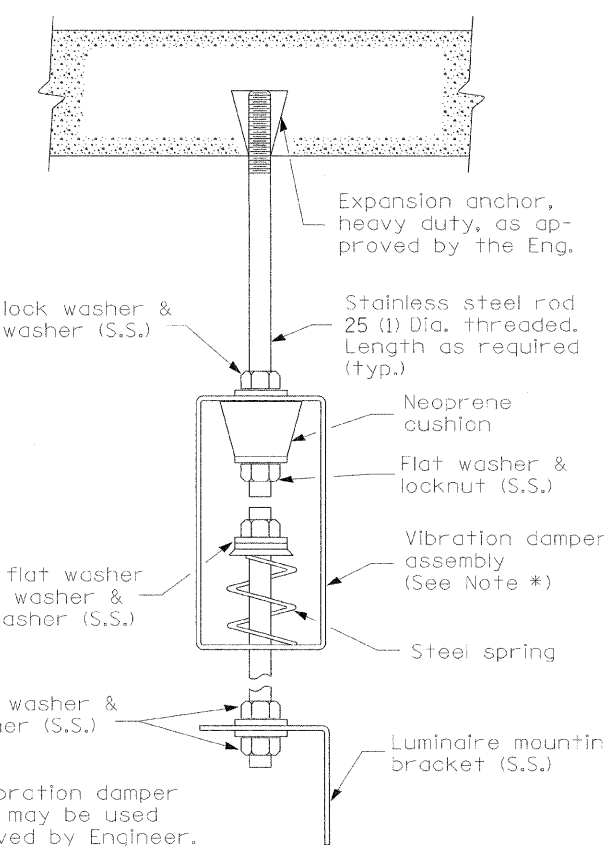


UNDERPASS LIGHTING
(Mounted on Face Pier)



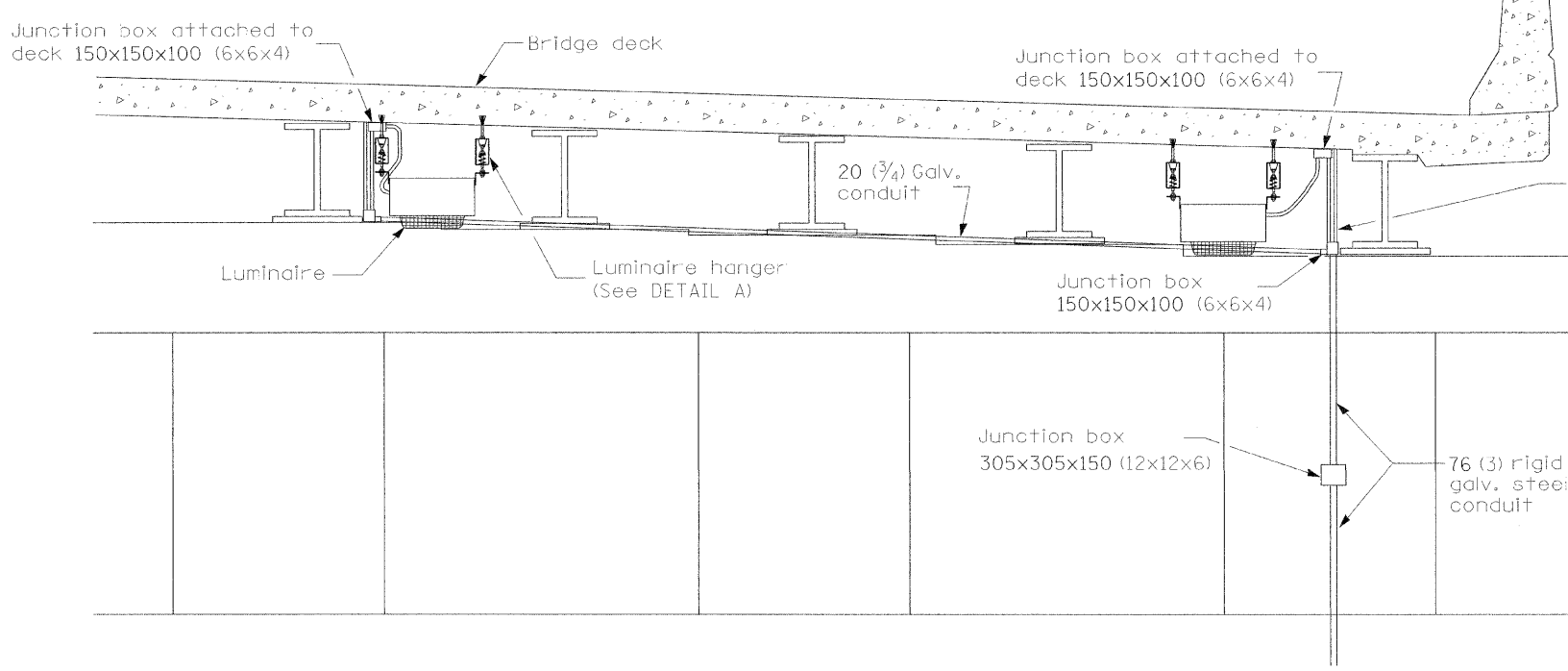
CONDUIT HANGER



* Note:
Other vibration damper assembly may be used if approved by Engineer.

LUMINAIRE HANGER ASSEMBLY DETAIL A

All dimensions are in millimeters (inches) unless otherwise shown.



UNDERPASS LIGHTING
(Mounted to Bridge Deck)

| DATE | REVISIONS |
|------|-----------|
| | |
| | |
| | |
| | |
| | |

UNDERPASS LIGHTING