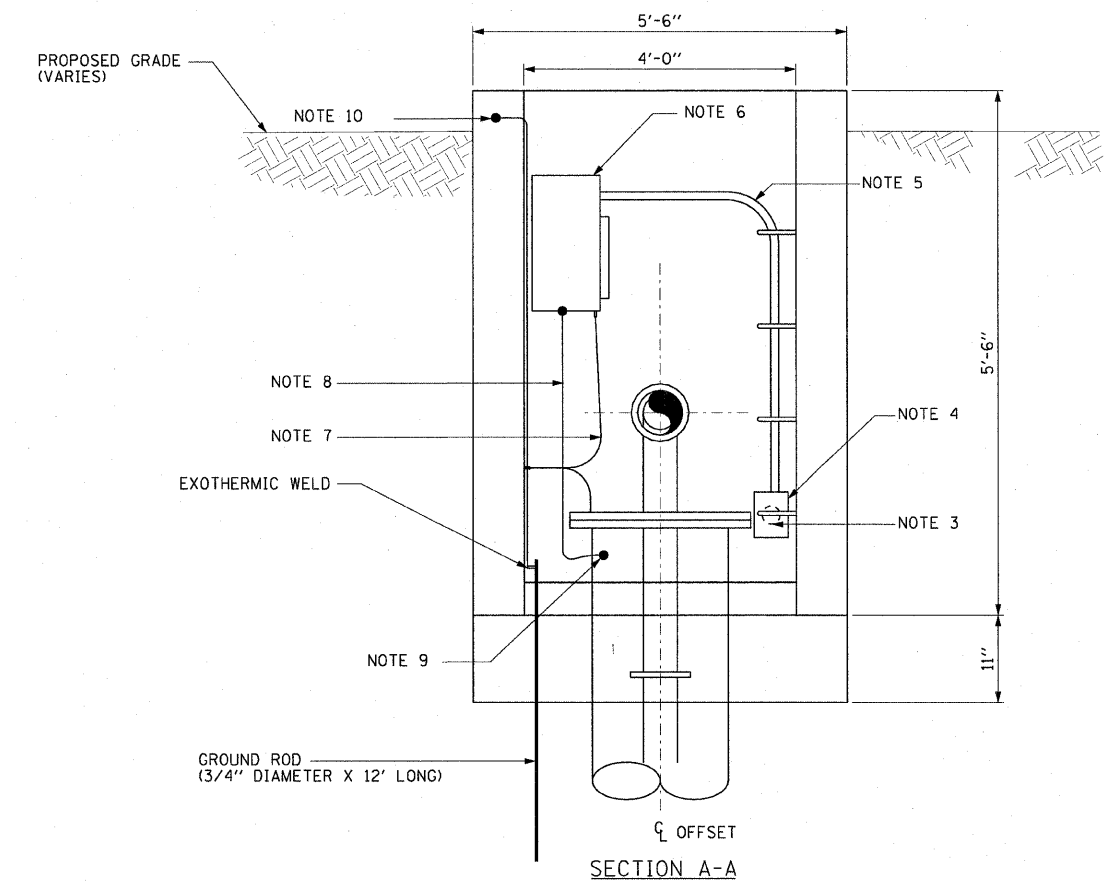
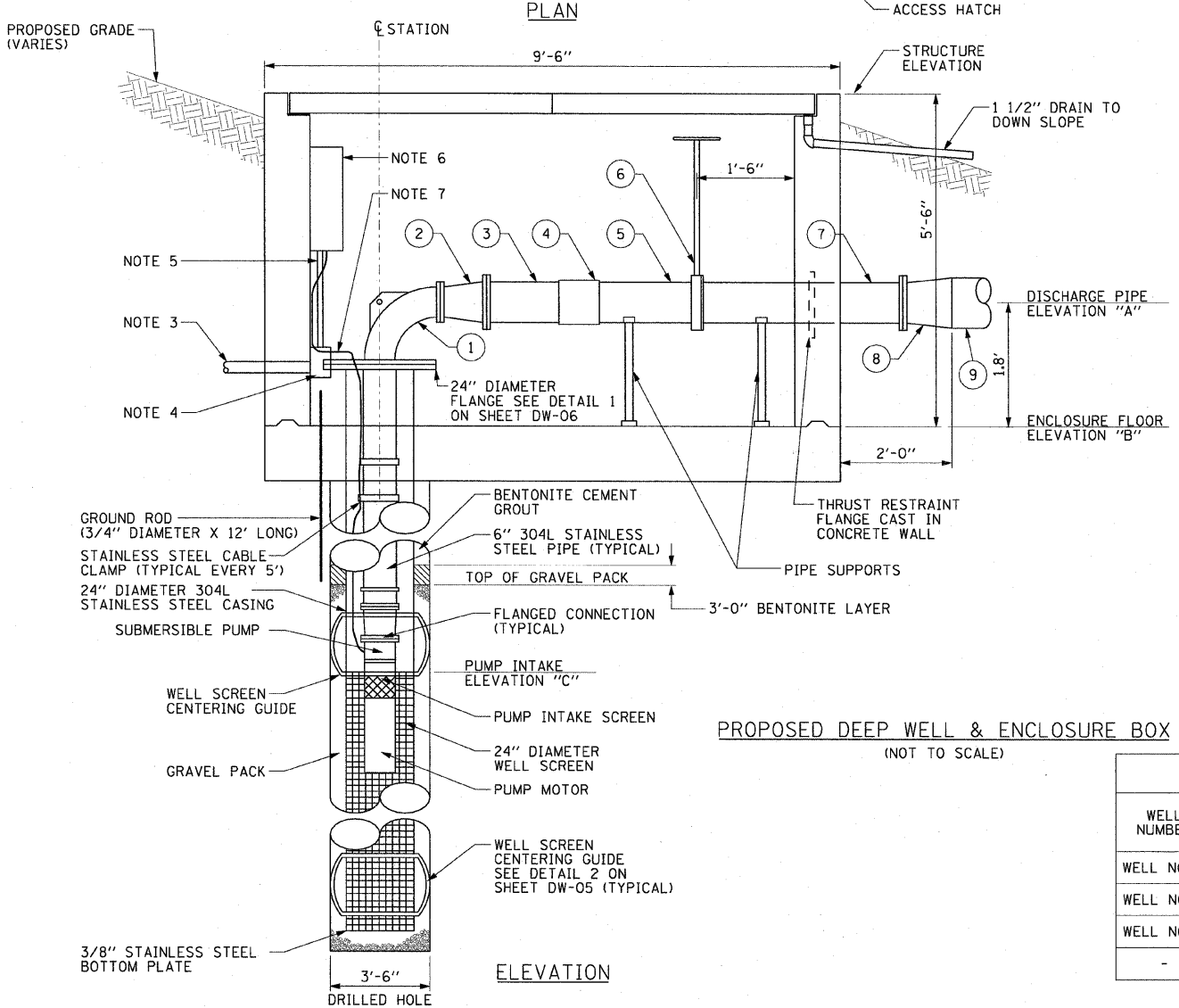
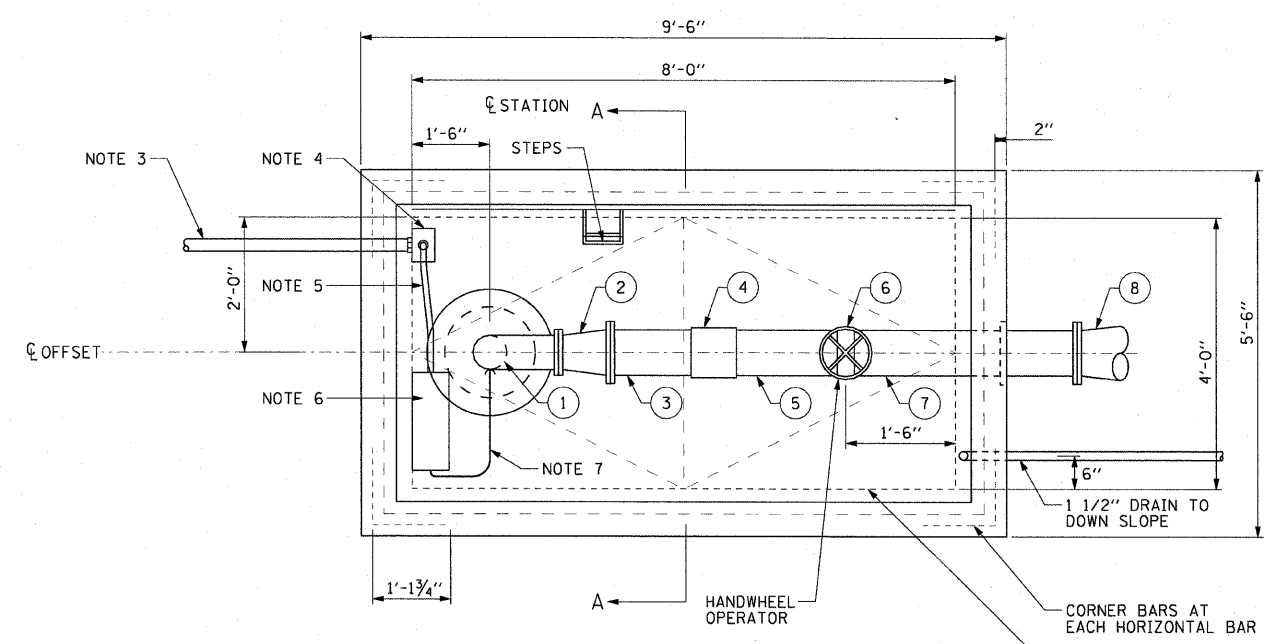


NOTES:

1. CONSTRUCT THE PROPOSED DEEP WELLS AT THE LOCATIONS INDICATED ON THIS DRAWING. REFER TO SPECIAL PROVISIONS FOR INSTALLATION PROCEDURES.
2. CONSTRUCT A NEW PIEZOMETER WELL FOR EACH PROPOSED DEEP WELL. SEE DRAWING DW-05 FOR PROPOSED PIEZOMETER WELL DETAILS.
3. EXTEND 3 INCH RIGID GALVANIZED CONDUIT 5 FEET FROM THE PROPOSED WELL ENCLOSURE BOX TO FACILITATE THE UNIT DUCT INSTALLATION INTO THE ENCLOSURE.
4. 6 INCHES WIDE BY 8 INCHES HIGH BY 4 INCHES DEEP STAINLESS STEEL PULL BOX. DO NOT SPLICE THE CONDUCTORS WITHIN THE PULL BOX.
5. 2 INCH LIQUID-TIGHT FLEXIBLE ~~METAL~~ CONDUIT FOR PUMP FEEDER CONDUCTORS. *NON-METALLIC*
6. 100 AMPERE, 3 POLE, NON-FUSED, HEAVY DUTY DISCONNECT SWITCH.
7. PUMP POWER CABLE (FURNISHED WITH PUMP).
8. NO.6 AWG GROUNDING ELECTRODE CONDUCTOR ROUTED FROM THE DISCONNECT SWITCH TO THE GROUND ROD.
9. NO.6 AWG BONDING CONDUCTOR ROUTED FROM THE GROUND ROD TO THE WELL CASING. BOND CONDUCTOR TO WELL CASING.
10. NO.6 AWG BONDING CONDUCTOR ROUTED FROM THE GROUND ROD TO THE ACCESS HATCH FRAME. BOND CONDUCTOR TO THE ACCESS HATCH FRAME.

BILL OF MATERIAL

- ① 6" 304L STAINLESS STEEL LONG RADIUS 90 ELBOW
- ② 6"x8" 304L STAINLESS STEEL CONC. REDUCER, FLANGED
- ③ 8" HDPE PIPE & FLANGE x PE
- ④ 8" STAINLESS STEEL COUPLING
- ⑤ 8" 304L STAINLESS STEEL PIPE & FLANGES
- ⑥ 8" KNIFE GATE VALVE (TILT AS REQUIRED)
- ⑦ 8" 304L STAINLESS STEEL PIPE & FLANGES
- ⑧ 8"x12" HDPE REDUCER, FLANGE x PE
- ⑨ 12" HDPE PIPE (BY OTHERS, SEE DRAINAGE PLANS)



PROPOSED DEEP WELL & ENCLOSURE BOX (NOT TO SCALE)

PROPOSED DEEP WELL INSTALLMENT												
WELL NUMBER	STATION	OFFSET	PROPOSED STRUCTURE ELEVATION	DISCHARGE PIPE ELEV. "A"	ENCLOSURE FLOOR ELEV. "B"	PUMP INTAKE ELEV. "C"	TOP OF SCREEN ELEVATION	BOTTOM OF SCREEN ELEVATION	TOP OF BEDROCK ELEVATION	TOP OF GRAVEL PACK ELEVATION	WELL PACK TYPE	SLOT SIZE
WELL NO.10	17+54.76 RAMP E BL	17.23' RT	398.65'	394.95'	393.15'	324.0'	325.0'	295.0'	294.0'	328.0'	WB-40	50
WELL NO.18	13+01.90 RAMP A BL	40.21' RT	392.72'	389.02'	387.22'	327.0'	328.0'	298.0'	297.0'	333.0'	WB-40	50
WELL NO.19	16+23.10 RAMP A BL	49.22' RT	398.08'	394.38'	392.58'	326.0'	327.0'	297.0'	296.0'	337.0'	WB-40	50
-	-	-	-	-	-	-	-	-	-	-	-	-