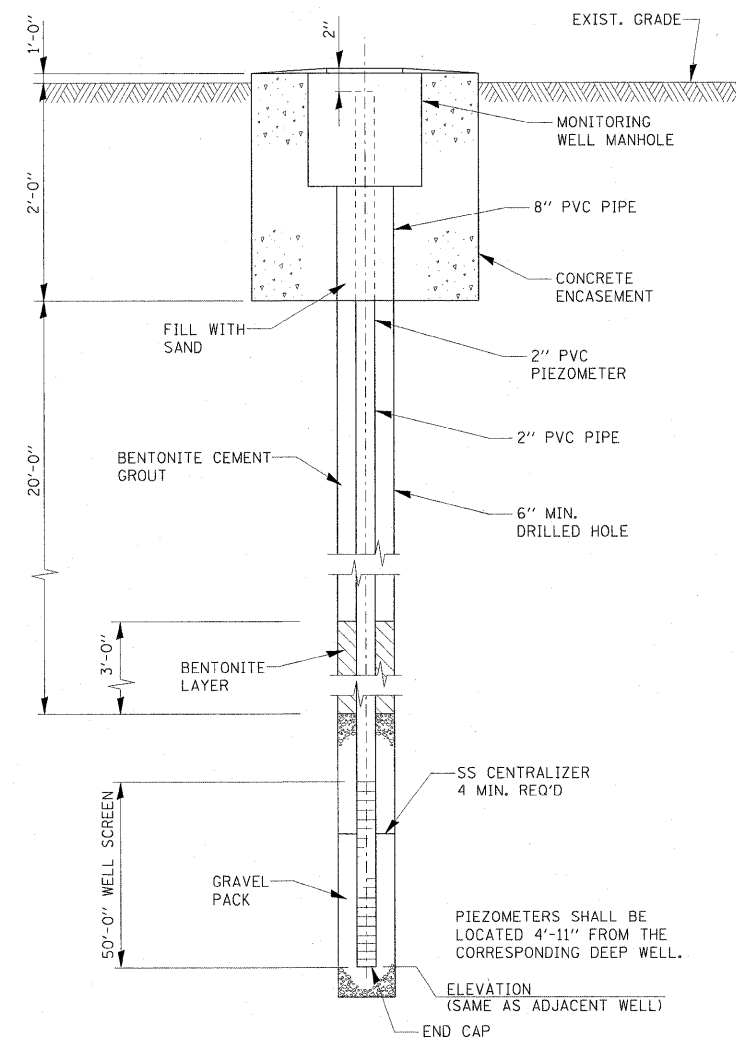
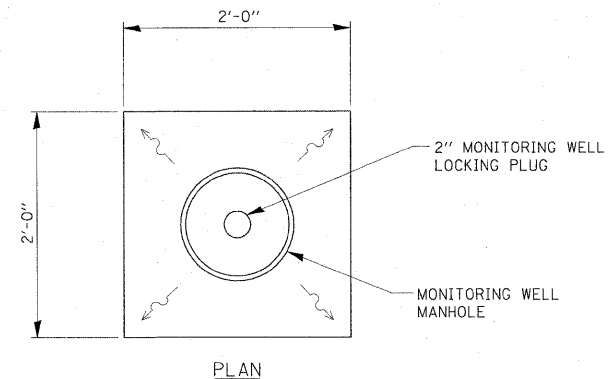


WELL SCREEN CENTERING GUIDE

**NOTES:**

1. LOCATE THE PROPOSED PIEZOMETER WELL WITHIN A 10'-0" RADIAL DISTANCE FROM EACH PROPOSED DEEP WELL. SEE DRAWING DW-04 FOR PROPOSED DEEP WELL STATION AND OFFSET DIMENSIONS.
2. SEE DW-04 FOR GRADE ELEVATIONS AND WELL POINT ELEVATIONS.



DETAIL 3  
PROFILE OF NEW PIEZOMETER  
N.T.S.

FILE NAME =	USER NAME = stermerb	DESIGNED JSF	REVISD - 4/15/2010	<b>STATE OF ILLINOIS DEPARTMENT OF TRANSPORTATION</b>	<b>DEEP WELL DETAILS PROPOSED PIEZOMETER WELL</b>		F.A.J. RTE. 64	SECTION 82-1-2HB	COUNTY ST. CLAIR	TOTAL SHEETS 345	SHEET NO. 206	
#FILE#	PLOT SCALE = 1:20000 1" = 100'	DRAWN JSF	REVISD -		SCALE: NONE	SHEET NO. 1 OF 1 SHEETS	STA. N/A	TO STA. N/A	FED. ROAD DIST. NO. ILLINOIS FED. AID PROJECT	CONTRACT NO. 76C49		
	PLOT DATE = 4/14/2010	CHECKED JPC	REVISD -									
		DATE 03/19/10	REVISD -									