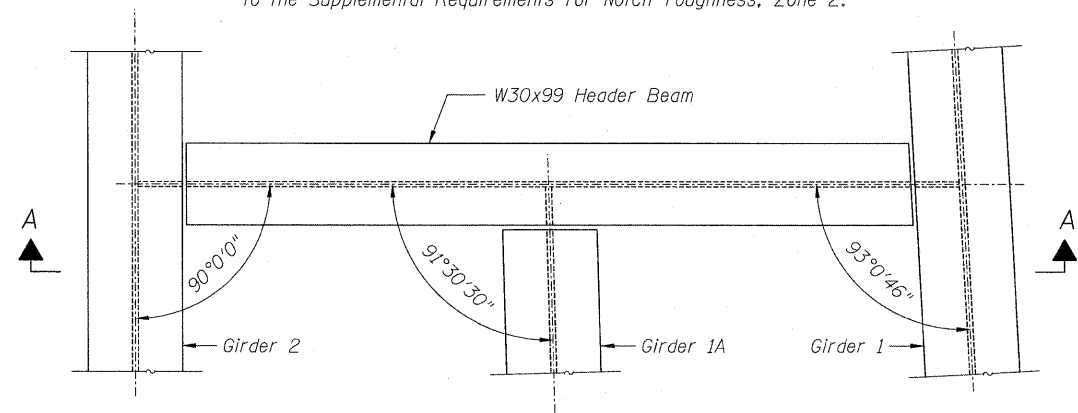
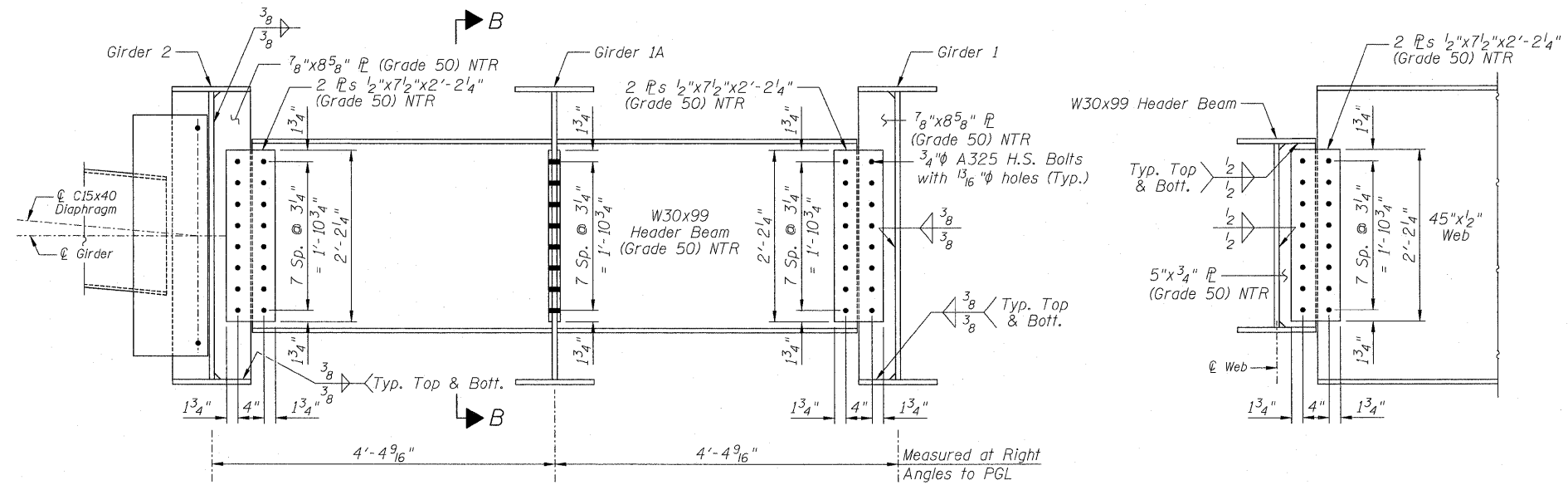


STATE OF ILLINOIS
DEPARTMENT OF TRANSPORTATION



ZROKA engineering
Zroka Engineering, P.C.
4216 North Hermitage
Chicago, IL 60613

DESIGNED	LAS
CHECKED	JLA
DRAWN	SAW
CHECKED	LAS

3-31-2010

STRUCTURAL STEEL DETAILS 3
STRUCTURE NO. 082-0377

SHEET NO. 24	F.A.I. RTE.	SECTION	COUNTY	TOTAL SHEETS	SHEET NO.
	64	82-1-2HB	ST. CLAIR	345	231
44 SHEETS	CONTRACT NO. 76C49			ILLINOIS FED. AID PROJECT	

REVISED 4/11/2010