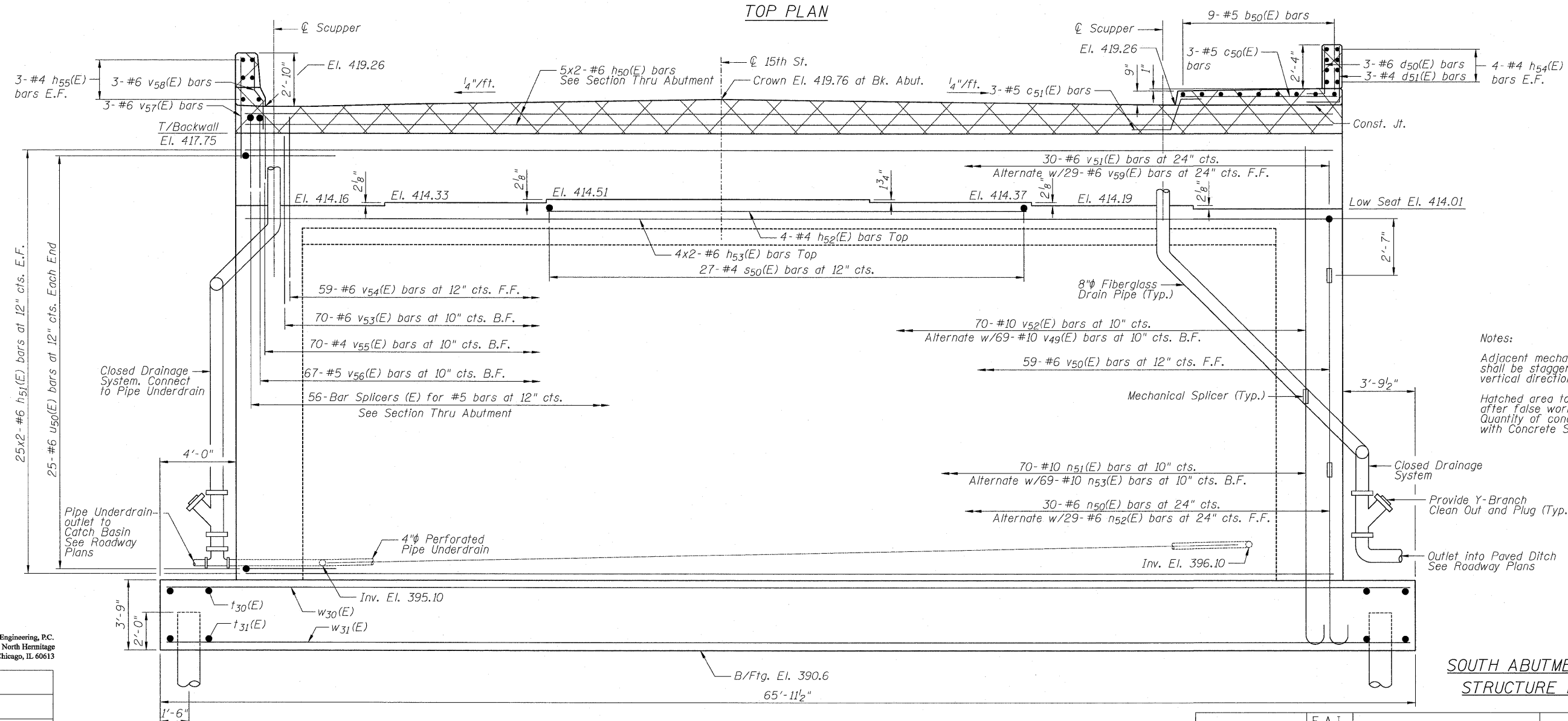
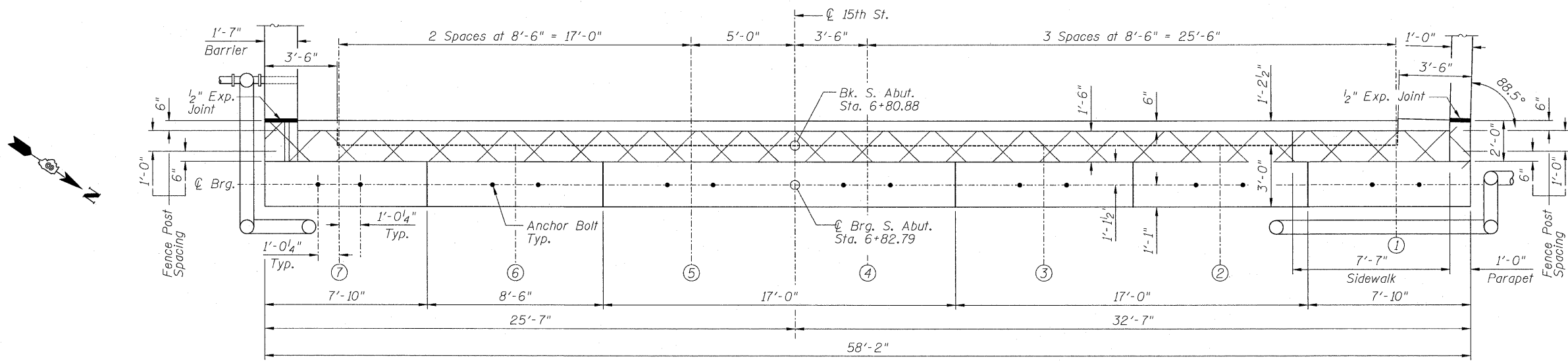


STATE OF ILLINOIS
DEPARTMENT OF TRANSPORTATION



Notes:
Adjacent mechanical splicers shall be staggered 2'-0" in the vertical direction.
Hatched area to be poured after false work has been removed. Quantity of concrete included with Concrete Superstructure.

ZROKA engineering
Zroka Engineering, P.C.
4216 North Hermitage
Chicago, IL 60613

DESIGNED	LAS
CHECKED	JLA
DRAWN	SAW
CHECKED	LAS

3-31-2010

SOUTH ABUTMENT ELEVATION
(Looking South)

SHEET NO. 28 44 SHEETS	F.A.I. RTE. 64	SECTION 82-1-2HB	COUNTY ST. CLAIR	TOTAL SHEETS 345	SHEET NO. 235
	CONTRACT NO. 76C49				
ILLINOIS FED. AID PROJECT					

Revised 4/15/2010