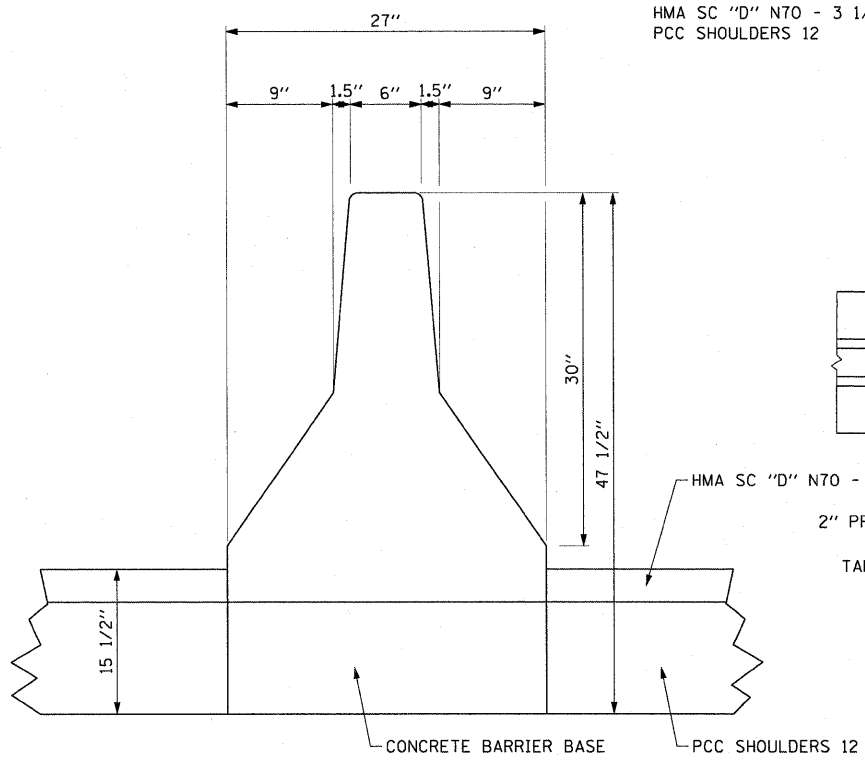
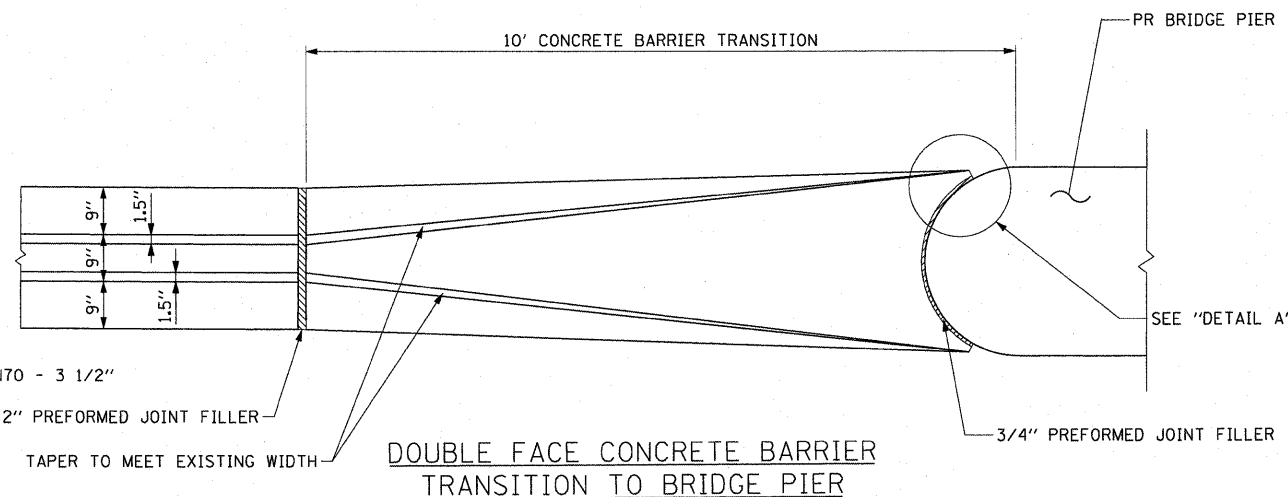


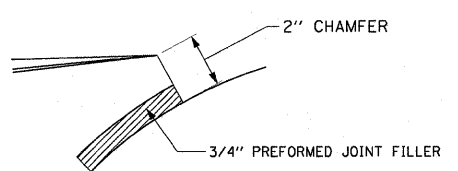
PLAN



SECTION A-A



DOUBLE FACE CONCRETE BARRIER TRANSITION TO BRIDGE PIER



DETAIL A

GENERAL NOTES

1. CONTRACTOR OPTIONS FOR FILL BETWEEN BARRIER WALLS (WHEN NEEDED):
 - A. PLACE 4" CLASS SI CONCRETE.
 - B. PLACE 12" OF GRANULAR MATERIAL AT BASE BETWEEN WALLS.
 - C. PLACE GRANULAR MATERIAL FROM BASE TO BOTTOM OF 4" CAP. FORMING MATERIAL FOR 4" CAP MAY REMAIN IN PLACE.
2. REINFORCING STEEL SHALL EXTEND CONTINUOUS THROUGH CONSTRUCTION JOINTS. AT JOINTS WITH EXISTING BARRIER WALL TO REMAIN, SEE STANDARD 637006-02 FOR JOINT DETAILS.
3. EXPANSION JOINTS SHOWN ON THIS DRAWING SHALL BE PREFORMED JOINT MATERIAL (BITUMINOUS TYPE) FILLER SHALL MEET AASHTO DESIGNATION M-33.
4. ALL REINFORCING STEEL SHALL BE GRADE 40 OR GRADE 60 MEETING THE REQUIREMENTS OF AASHTO M31 OR ASTM A615.
5. ALL WORK DETAILED HEREIN SHALL BE INCLUDED IN THE COST OF THE VARIOUS CONCRETE BARRIER PAY ITEMS.
6. PREFORMED JOINT FILLER SHALL BE INCLUDED IN THE COST OF THE CONCRETE BARRIER TRANSITION.

FILE NAME = #FILE#	USER NAME = pmsarino	DESIGNED CRH	REVISIONS
		DRAWN CRH	REVISIONS
		CHECKED DBM	REVISIONS
		DATE 03/19/10	REVISIONS

STATE OF ILLINOIS
DEPARTMENT OF TRANSPORTATION

ROADWAY DETAILS - CONCRETE BARRIER, SPECIAL, 32" HEIGHT DETAIL
SCALE: 1" = 20' SHEET NO. 1 OF 1 SHEETS STA. TO STA.

F.A.I. RTE.	SECTION	COUNTY	TOTAL SHEETS	SHEET NO.
64	82-1-2HB	ST. CLAIR	345	276
FED. ROAD DIST. NO. ILLINOIS FED. AID PROJECT			CONTRACT NO. 76C49	