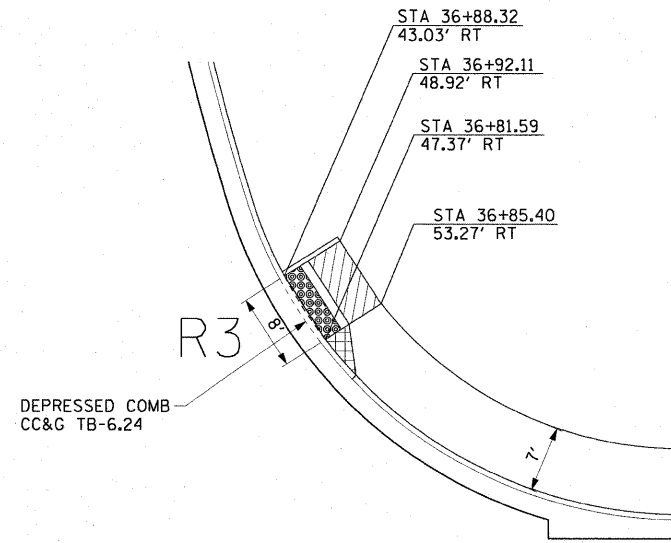
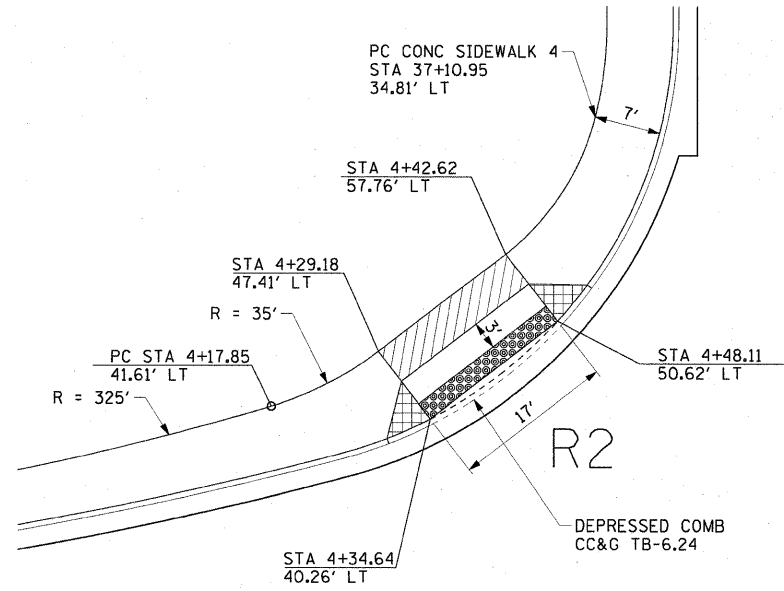
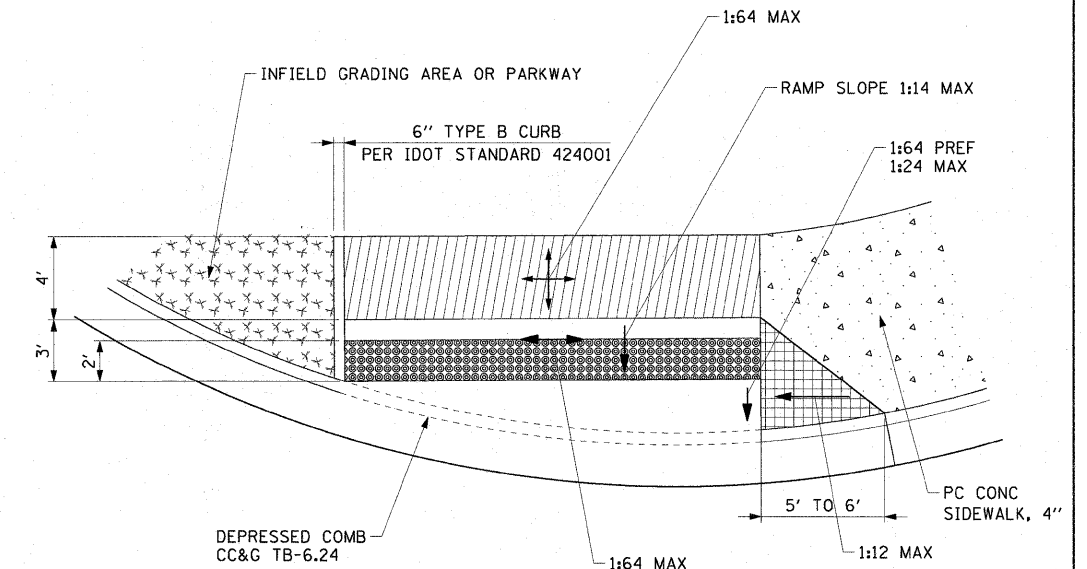


NOTE: STATION AND OFFSETS TAKEN FROM 15TH ST AND ST. CLAIR AVE CL

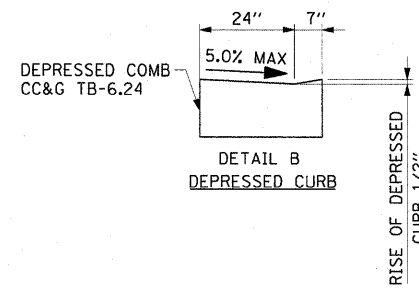
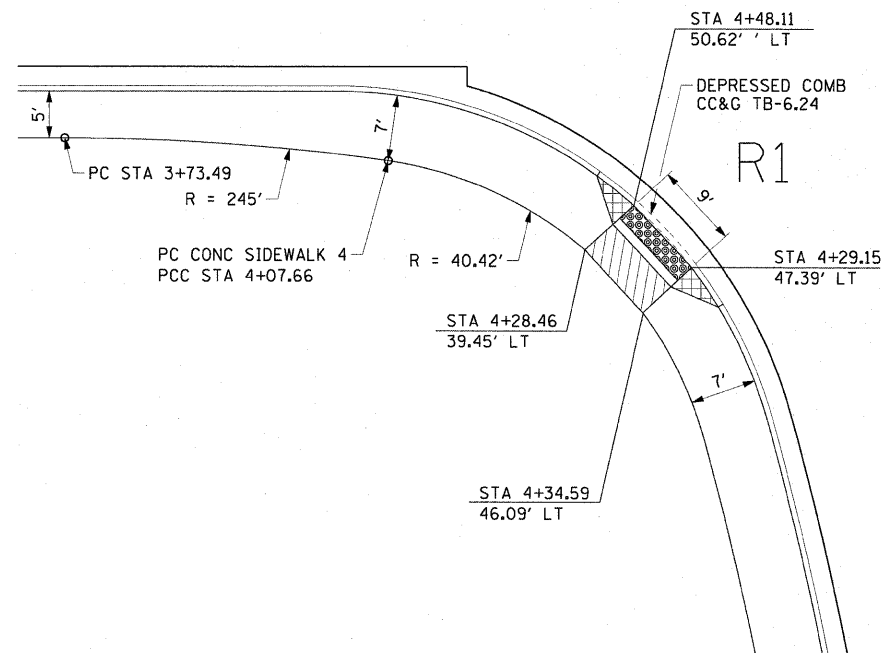


**LEGEND:**

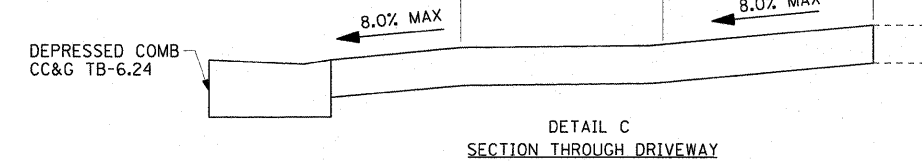
- DETECTABLE WARNINGS (24" WIDE)
- LEVEL LANDING AREA = 1:64 MAX
- SIDE FLARE = 1:12 MAX (SLOPING INWARD TO DETECTABLE WARNING)



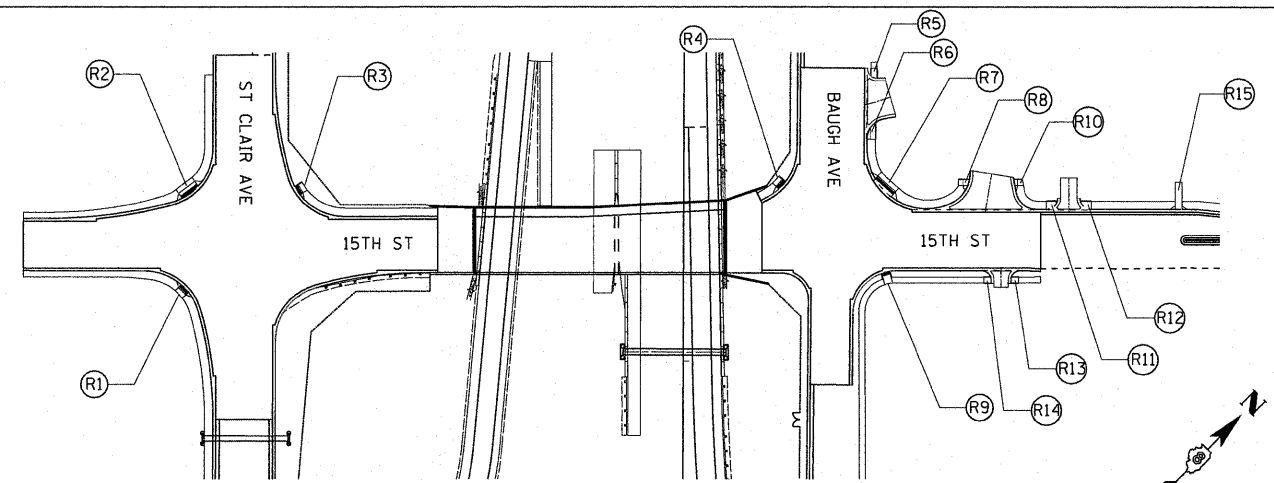
DETAIL A  
(TYP DIMENSIONS FOR ALL CURB RAMPS, UNLESS OTHERWISE NOTED)



DETAIL B  
DEPRESSED CURB



DETAIL C  
SECTION THROUGH DRIVEWAY



LOCATION PLAN

FILE NAME =	USER NAME = plmsorno	DESIGNED CRH	REVISED -
#FILE#		DRAWN CRH	REVISED -
	PLOT SCALE = 10,000' / IN.	CHECKED DBM	REVISED -
	PLOT DATE = 3/18/2010	DATE 03/19/10	REVISED -

STATE OF ILLINOIS  
DEPARTMENT OF TRANSPORTATION

ROADWAY DETAILS - ADA CURB RAMPS

SCALE: SHEET NO. 1 OF 3 SHEETS STA. TO STA.

F.A.I. RTE.	SECTION	COUNTY	TOTAL SHEETS	SHEET NO.
64	82-1-2HB	ST. CLAIR	345	280
CONTRACT NO. 76C49				
FED. ROAD DIST. NO. ILLINOIS FED. AID PROJECT				