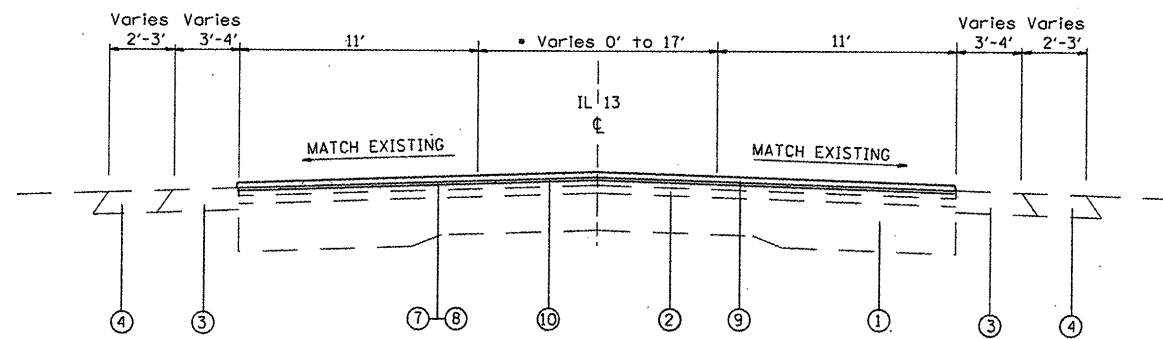


EXISTING TYPICAL SECTION
FAU 9251 (IL 13)

STA. 109+61 TO STA. 132+00
STA. 148+11 TO STA. 195+50



PROPOSED TYPICAL SECTION
FAU 9251 (IL 13)

STA. 109+61 TO STA. 132+00
STA. 148+11 TO STA. 195+50

LEGEND

- ① EXISTING PAVEMENT
- ② EXISTING RESURFACING
- ③ EXISTING BITUMINOUS SHOULDER
- ④ EXISTING VARIES FROM AGGREGATE, CURB & GUTTER TYPE B-6.24 AND GUTTER TYPE A
- ⑤ EXISTING CONCRETE MEDIAN
- ⑥ PROPOSED HMA SURFACE REMOVAL 1 3/4"
- ⑦ PROPOSED BITUMINOUS (PRIME COAT)
- ⑧ PROPOSED AGGREGATE (PRIME COAT)
- ⑨ PROPOSED HOT-MIX ASPHALT SURFACE COURSE, MIX D, N90 1 1/2"
- ⑩ PROPOSED LEVELING BINDER (MACHINE METHOD) 3/4"

*RAISED MEDIAN ON BOTH SIDES OF IL 13 AT 11ST INTERSECTION.

NOTE: BI-DIRECTIONAL LANE FROM (11TH STREET & IL 13) INTERSECTION TO (IL 158/IL 13 & CENTREVILLE ROAD) INTERSECTION.

NOTE: BI-DIRECTIONAL LANE FROM (STATE STREET & IL 13/IL 158) INTERSECTION TO (IL 158/IL 13 & IL 159) INTERSECTION.

FILE NAME =	USER NAME = karlosal	DESIGNED -	REVISD -
o:\pwork\VPWIDOT\KARLASAL\d0155566\d0876d44-ah-plot.dgn		DRAWN -	REVISD -
PLOT SCALE = 107.3171' / IN.		CHECKED -	REVISD -
PLOT DATE = 3/3/2010		DATE -	REVISD -

STATE OF ILLINOIS
DEPARTMENT OF TRANSPORTATION

TYPICAL SECTIONS

SCALE: _____ SHEET NO. _____ OF _____ SHEETS STA. _____ TO STA. _____

F.A.U. RTE.	SECTION	COUNTY	TOTAL SHEETS	SHEET NO.
9251	26-JRS-3	ST. CLAIR	31	6
FED. ROAD DIST. NO. ILLINOIS FED. AID PROJECT			CONTRACT NO. 76D44	