

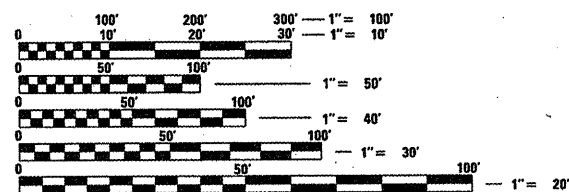
STATE OF ILLINOIS
DEPARTMENT OF TRANSPORTATION
DIVISION OF HIGHWAYS

**PROPOSED
HIGHWAY PLANS**

FAU ROUTE 9251 IL 13 /IL 158 /IL 177
SECTION 26-1RS-3
PROJECT: ACM-9251(011)
ST. CLAIR COUNTY
HOT-MIX ASPHALT OVERLAY
C-98-007-10

F.A.U. RTE.	SECTION	COUNTY	TOTAL SHEETS	SHEET NO.
9251	26-1RS-3	ST. CLAIR	37	1
FED. ROAD DIST. NO.	ILLINOIS	CONTRACT NO. 76D44		

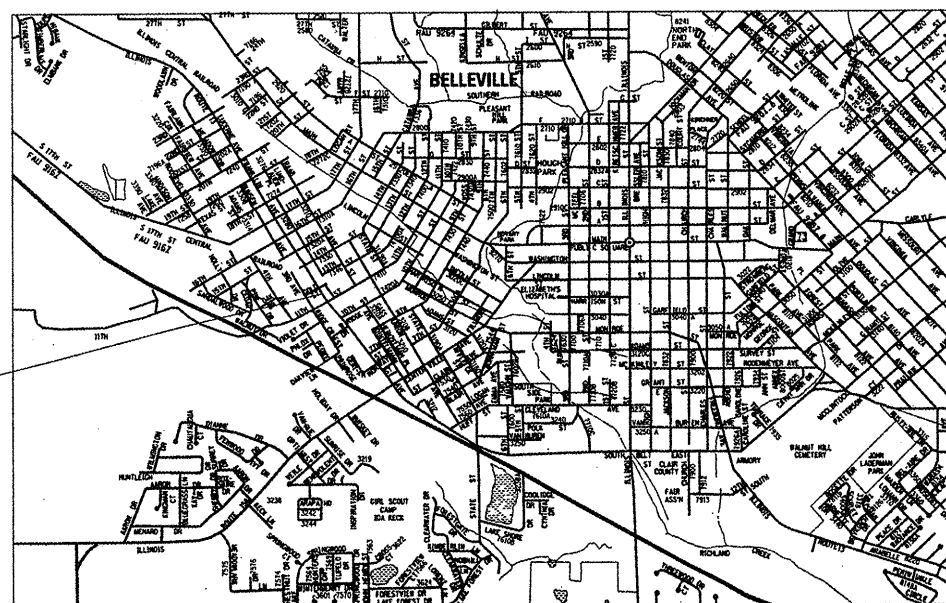
FOR INDEX OF SHEETS, SEE SHEET NO. 2



FULL SIZE PLANS HAVE BEEN PREPARED USING STANDARD ENGINEERING SCALES. REDUCED SIZED PLANS WILL NOT CONFORM TO STANDARD SCALES. IN MAKING MEASUREMENTS ON REDUCED PLANS, THE ABOVE SCALES MAY BE USED.

J.U.L.I.E.
JOINT UTILITY LOCATION INFORMATION FOR EXCAVATION
1-800-892-0123
OR 811

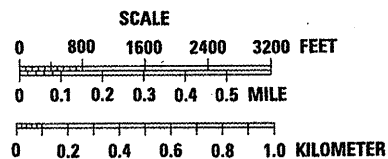
BEGIN SECTION
STA. 109+11



END SECTION
STA. 229+82.5

FUNCTIONAL CLASS = URBAN MINOR ARTERIAL

2009 ADT - 15,400
SU = 6.8%
MU = 1.6%



GROSS LENGTH = 2.18 MILES
NET LENGTH = 2.18 MILES

PROJECT ENGINEER: TIM PADGETT (618)346-3155
PROJECT MANAGER: AARON KARLAS (618)346-3208

CONTRACT NO. 76D44

STATE OF ILLINOIS
DEPARTMENT OF TRANSPORTATION
DIVISION OF HIGHWAYS

SUBMITTED *March 16 20 10*
Mark C. James
DEPUTY DIRECTOR OF HIGHWAYS, REGION ENGINEER

May 7 20 10
Scott E. Stitt, P.E.
ENGINEER OF DESIGN AND ENVIRONMENT

May 7 20 10
Christine M. Reed
DIRECTOR OF HIGHWAYS, CHIEF ENGINEER

PRINTED BY THE AUTHORITY
OF THE STATE OF ILLINOIS

STANDARDS

000001-05
 001001-02
 001006
 442101-07
 482011-03
 606101-04
 606301-04
 630001-08
 630101-08
 635006-03
 635011-02
 701311-03
 701501-05
 701502-03
 701701-06
 701901-01
 780001-02
 781001-02
 886001-01
 886006-01

INDEX OF SHEETS

1. COVER SHEET
2. INDEX OF SHEETS AND STANDARDS
3. GENERAL NOTES AND COMMITMENTS
4. SUMMARY OF QUANTITIES
- 5.-9. TYPICAL SECTIONS
- 10.-12. LOCATION MAP
- 13.-17. SCHEDULE OF QUANTITIES
- 18.-24. INTERSECTION DETAILS
- 25.-34. MISCELLANEOUS DETAILS
- 35.-37. DETECTOR LOOPS

FILE NAME =	USER NAME = karlesal	DESIGNED -	REVISED -	STATE OF ILLINOIS DEPARTMENT OF TRANSPORTATION	INDEX OF SHEETS AND STANDARDS	F.A.U. RTE.	SECTION	COUNTY	TOTAL SHEETS	SHEET NO.
c:\pwork\pwork\DOT\KARLASAL\0155566\0876d44-shr-plen.dgn	DRAWN -	REVISED -	9251			26-IRS-3	ST. CLAIR	37	2	
PLOT SCALE = 1/87.3171" / IN.	CHECKED -	REVISED -	CONTRACT NO. 76D44							
PLOT DATE = 3/3/2018	DATE -	REVISED -	FED. ROAD DIST. NO. - ILLINOIS FED. AID PROJECT							
SCALE: _____ SHEET NO. ___ OF ___ SHEETS STA. _____ TO STA. _____										

GENERAL NOTES

- ① SAW CUTTING ON ALL EDGES FOR REMOVAL ITEMS SHALL BE INCLUDED IN THE COST OF THE REMOVAL ITEM AS INDICATED AND IN ACCORDANCE WITH SECTION 440 OF THE STANDARD SPECIFICATIONS.
- ② EXCEPT WHERE DESIGNATED OTHERWISE, THE LOCATIONS AND/OR DEPTHS OF UNDERGROUND UTILITIES SHOWN HAVE BEEN TAKEN FROM OFFICE RECORD INFORMATION FURNISHED BY THE UTILITY OWNERS AND MUST BE CONSIDERED APPROXIMATE.
- ③ ILLINOIS STATE LAW REQUIRES A 48-HOUR NOTICE TO BE GIVEN TO ALL UTILITIES BEFORE DIGGING. FIELD MARKING OF FACILITIES MAY BE OBTAINED BY CONTACTING J.U.L.I.E. OR FOR NON-MEMBERS, THE UTILITY COMPANY DIRECTLY. AGENCIES KNOWN TO HAVE FACILITIES WITHIN THE PROJECT AREA ARE AS FOLLOWS:

UTILITY	ABOVE GROUND	BELOW GROUND
* AMEREN (GAS & ELECTRIC)	X	X
* AT&T ILLINOIS	X	X
* CITY OF BELLEVILLE		X
* CHARTER COMMUNICATIONS, INC.	X	X
* ILLINOIS AMERICAN WATER COMPANY		X
* LEVEL 3 COMMUNICATIONS, LLC		X
* VERIZON BUSINESS	X	X
* 36ONETWORKS (USA) INC.		X

MEMBERS OF J.U.L.I.E. (800)-892-0123 ARE INDICATED BY *. NON J.U.L.I.E. MEMBERS MUST BE NOTIFIED INDIVIDUALLY.

- ④ THE FOLLOWING MIXTURE REQUIREMENTS ARE APPLICABLE FOR THIS PROJECT:

ROUTE	FAU 9251
SECTION	26-IRS-3
COUNTY	ST. CLAIR
CONTRACT	76D44

DESCRIPTION	3P-IL 13 FROM .1 MI W. OF 11TH ST. TO MCCLINTOCK ROAD IN BELLEVILLE.
-------------	--

ADT (Construction Yr):	15400
MU%:	1.6
SU%:	6.8
20YR. ESAL'S:	2.88

MIXTURE USE	SURFACE	LEVEL BINDER	BINDER/PATCHING	INCIDENTAL SURF
AC/PG	PG 64-22	PG 64-22	PG 64-22	PG 64-22
RAP % (MAX)	10%	10%	10%	10%
DESIGN AIR VOIDS	4.0% @ Ndes=90	4.0% @ Ndes=90	4.0% @ Ndes=90	4.0% @ Ndes=90
MIX COMPOSITION (GRADATION MIXTURE)		IL 12.5	IL 19.0	
FRICITION AGG	MIXTURE "D"	MIXTURE "C"	MIXTURE "B"	MIXTURE "D"

MIXTURE USE	SHOULDERS
AC/PG	PG 64-22
RAP % (MAX)	30%
DESIGN AIR VOIDS	2.0% @ Ndes=30
MIX COMPOSITION (GRADATION MIXTURE)	
FRICITION AGG	BAM

** Top Lift Shoulders - Design this mix at 2.0% voids and add asphalt to reduce voids to 1.5%.
Plan quantities for Bituminous Concrete Surface Course items are calculated using a unit weight of 112 lb/sq yd/in (59.8 kg/sq m/25 mm thickness).

- ⑤ THE THICKNESS OF THE BITUMINOUS MIXTURE SHOWN ON THE PLANS IS THE NOMINAL THICKNESS. DEVIATIONS FROM THE NOMINAL THICKNESS WILL BE PERMITTED WHEN SUCH DEVIATIONS OCCUR DUE TO IRREGULARITIES IN THE EXISTING SURFACE OR BASE ON WHICH THE BITUMINOUS MIXTURE IS PLACED.
- ⑥ "ROAD CONSTRUCTION AHEAD" SIGNS SHALL BE PLACED AT THE BEGINNING AND END OF THE PROJECT PLUS THE INTERSECTING SIDE ROADS, AND WILL BE INCLUDED IN THE TRAFFIC CONTROL PAY ITEMS. ALL CONSTRUCTION SIGNS SHALL BE FLUORESCENT ORANGE. (48"x48")
- ⑦ FLAGGERS SHALL BE PRESENT DURING ALL CLOSURE HOURS, INCLUDING LUNCH HOUR, AND NO ADDITIONAL COMPENSATION SHALL BE ALLOWED.
- ⑧ EXCAVATION ADJACENT TO EDGE OF PAVEMENT SHALL BE PROTECTED WITH EXTENDED LEG BARRICADES WITH APPROPRIATE LIGHTS.
- ⑨ THE CONTRACTOR SHALL VERIFY ALL DIMENSIONS AND CONDITIONS IN THE FIELD PRIOR TO CONSTRUCTION AND ORDERING OF MATERIALS.
- ⑩ ALL AREAS DISTURBED BY THE CONTRACTOR OUTSIDE THE PROPOSED CONSTRUCTION LIMITS SHALL BE SEEDDED AT THE CONTRACTOR'S EXPENSE.
- ⑪ SHORT-TERM PAVEMENT MARKING SHALL BE APPLIED TO THE MILLED, PRIMED, AND FINAL HMA SURFACE. A QUANTITY FOR TEMPORARY PAVEMENT MARKING EQUAL TO THE AMOUNT OF PERMANENT PAVEMENT MARKINGS HAS BEEN ADDED TO THE PLANS. ONLY REMOVAL FROM FINAL SURFACE PAID FOR AS WORK ZONE PAVEMENT MARKING REMOVAL.

COMMITMENTS

NONE

FILE NAME =	USER NAME = korjsoo1	DESIGNED - ---	REVISED - ---	STATE OF ILLINOIS DEPARTMENT OF TRANSPORTATION	GENERAL NOTES AND COMMITMENTS			F.A.U. RTE.	SECTION	COUNTY	TOTAL SHEETS	SHEET NO.
cr\pwwork\pwwdot\karlasal\0155566\d86d44-shit-plan.dgn		DRAWN - ---	REVISED - ---		9251	26-IRS-3	ST. CLAIR	37	3			
PLOT SCALE = 107.3171' / IN.		CHECKED - ---	REVISED - ---		CONTRACT NO. 76D44			FED. ROAD DIST. NO. - ILLINOIS FED. AID PROJECT				
PLOT DATE = 3/3/2010		DATE - ---	REVISED - ---		SCALE: -----	SHEET NO. ___ OF ___ SHEETS	STA. ----- TO STA. -----					

80% FED.
20% STATE

SUMMARY OF QUANTITIES

80% FED.
20% STATE

SUMMARY OF QUANTITIES			URBAN	CONSTRUCTION TYPE CODE		
CODE NO	ITEM	UNIT	TOTAL QUANTITIES	1000	-----	-----
40600200	BITUMINOUS MATERIALS (PRIME COAT)	TON	27.9	27.9		
40600300	AGGREGATE (PRIME COAT)	TON	134	134		
40600635	LEVELING BINDER (MACHINE METHOD), N70	TON	1716.6	1716.6		
40600990	TEMPORARY RAMP	SO YD	1275	1275		
40603345	HOT-MIX ASPHALT SURFACE COURSE, MIX "D", N90	TON	3743	3743		
40800020	BITUMINOUS MATERIALS (PRIME COAT)	TON	0.05	0.05		
40800050	INCIDENTAL HOT-MIX ASPHALT SURFACING	TON	14.2	14.2		
44000156	HOT-MIX ASPHALT SURFACE REMOVAL, 1 3/4"	SO YD	40877	40877		
44000158	HOT-MIX ASPHALT SURFACE REMOVAL, 2 1/4"	SO YD	112.9	112.9		
44000400	GUTTER REMOVAL	FOOT	1100	1100		
44201789	CLASS D PATCHES, TYPE II, 12 INCH	SO YD	156.5	156.5		
44201794	CLASS D PATCHES, TYPE III, 12 INCH	SO YD	128.8	128.8		
44201796	CLASS D PATCHES, TYPE IV, 12 INCH	SO YD	1143.2	1143.2		
60602500	CONCRETE GUTTER, TYPE A	FOOT	1100	1100		
* 63000001	STEEL PLATE BEAM GUARD RAIL, TYPE A, 6 FOOT POSTS	FOOT	418.75	418.75		
* 63000025	STEEL PLATE BEAM GUARD RAIL, ATTACHED TO STRUCTURES	FOOT	98.75	98.75		
* 63100167	TRAFFIC BARRIER TERMINAL, TYPE 1 (SPECIAL) TANGENT	EACH	6	6		
63200310	GUARDRAIL REMOVAL	FOOT	378	378		
* 63300725	STEEL PLATE BEAM GUARDRAIL (SHORT RADIUS)	FOOT	37.5	37.5		
67000400	ENGINEER'S FIELD OFFICE, TYPE A	CAL MO	5	5		
67100100	MOBILIZATION	L SUM	1	1		
70102620	TRAFFIC CONTROL AND PROTECTION, STANDARD 701501	L SUM	1	1		
70102622	TRAFFIC CONTROL AND PROTECTION, STANDARD 701502	L SUM	1	1		
70102635	TRAFFIC CONTROL AND PROTECTION, STANDARD 701701	L SUM	1	1		
70300100	SHORT-TERM PAVEMENT MARKING	FOOT	11280	11280		
70300210	TEMPORARY PAVEMENT MARKING - LETTERS AND SYMBOLS	SO FT	1486	1486		
70300220	TEMPORARY PAVEMENT MARKING - LINE 4"	FOOT	54183	54183		
70300240	TEMPORARY PAVEMENT MARKING - LINE 6"	FOOT	632	632		
70300260	TEMPORARY PAVEMENT MARKING - LINE 12"	FOOT	1182	1182		
70300280	TEMPORARY PAVEMENT MARKING - LINE 24"	FOOT	48	48		

SUMMARY OF QUANTITIES			URBAN	CONSTRUCTION TYPE CODE		
CODE NO	ITEM	UNIT	TOTAL QUANTITIES	1000	-----	-----
70301000	WORK ZONE PAVEMENT MARKING REMOVAL	SO FT	1240.8	1240.8		
* 78000100	THERMOPLASTIC PAVEMENT MARKING - LETTERS AND SYMBOLS	SO FT	1486	1486		
* 78000200	THERMOPLASTIC PAVEMENT MARKING - LINE 4"	FOOT	54183	54183		
* 78000400	THERMOPLASTIC PAVEMENT MARKING - LINE 6"	FOOT	632	632		
* 78000500	THERMOPLASTIC PAVEMENT MARKING - LINE 8"	FOOT	410	410		
* 78000600	THERMOPLASTIC PAVEMENT MARKING - LINE 12"	FOOT	1182	1182		
* 78000650	THERMOPLASTIC PAVEMENT MARKING - LINE 24"	FOOT	48	48		
* 78001110	PAINT PAVEMENT MARKING - LINE 4"	FOOT	170	170		
* 78100100	RAISED REFLECTIVE PAVEMENT MARKER	EACH	443	443		
* 78200300	PRISMATIC CURB REFLECTOR	EACH	60	60		
* 78200410	GUARDRAIL MARKERS, TYPE A	EACH	21	21		
* 78201000	TERMINAL MARKER - DIRECT APPLIED	EACH	6	6		
78300200	RAISED REFLECTIVE PAVEMENT MARKER REMOVAL	EACH	443	443		
80300100	LOCATING UNDERGROUND CABLE	FOOT	633	633		
* 88600600	DETECTOR LOOP REPLACEMENT	FOOT	2943	2943		
20048665	RAILROAD PROTECTIVE LIABILITY INSURANCE	L SUM	1	1		
* Specialty Items						

FILE NAME =	USER NAME = kerlesal	DESIGNED -	REVISED -
c:\pwwork\PMWIDOT\KARLASAL\d0155566\d0155566.dgn	6d44-sht-plen.dgn	DRAWN -	REVISED -
	PLOT SCALE = 1/8" = 107.3171' / IN.	CHECKED -	REVISED -
	PLOT DATE = 3/3/2010	DATE -	REVISED -

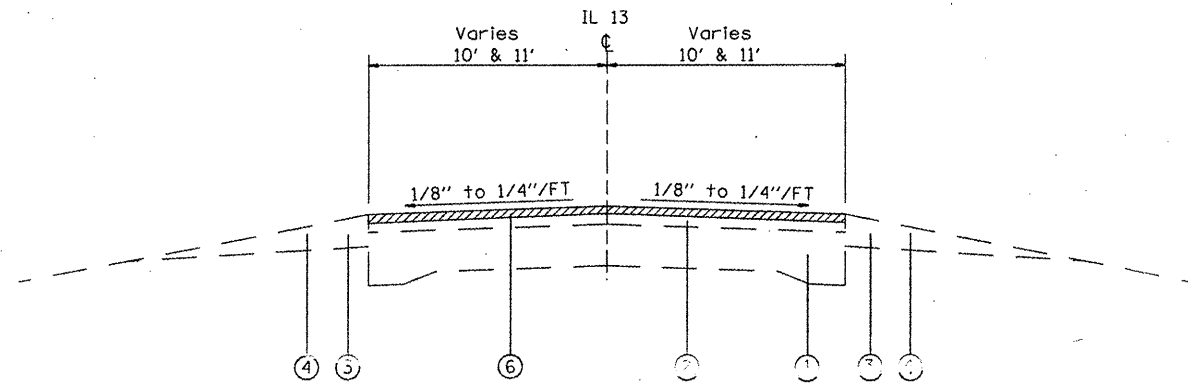
**STATE OF ILLINOIS
DEPARTMENT OF TRANSPORTATION**

SUMMARY OF QUANTITIES

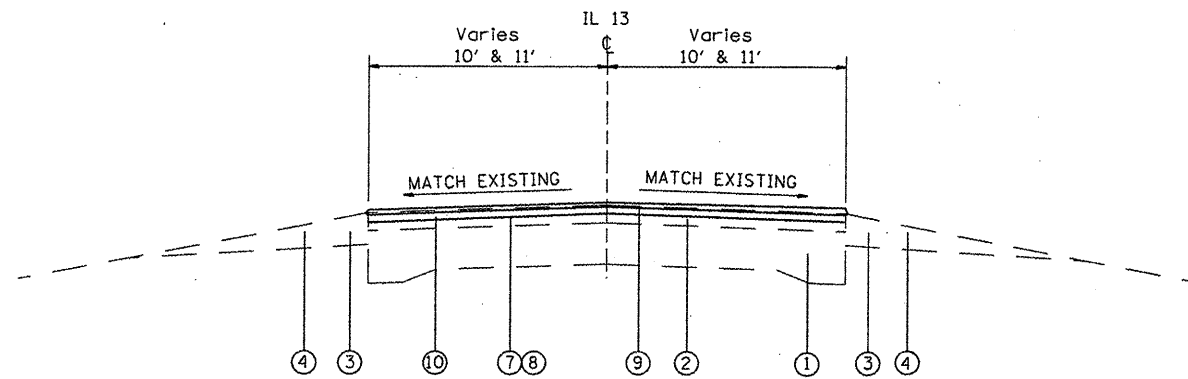
SCALE: _____ SHEET NO. _____ OF _____ SHEETS STA. _____ TO STA. _____

F.A.U. RITE.	SECTION	COUNTY	TOTAL SHEETS	SHEET NO.
9251	26-IRS-3	ST. CLAIR	37	4
FED. ROAD DIST. NO. - ILLINOIS FED. AID PROJECT			CONTRACT NO. 76044	

Re



EXISTING TYPICAL SECTION
 FAU 9251 (IL 13)
 STA. 109+11 to STA. 109+61



EXISTING TYPICAL SECTION
 FAU 9251 (IL 13)
 STA. 109+11 to STA. 109+61

LEGEND

- ① EXISTING PAVEMENT
- ② EXISTING RESURFACING
- ③ EXISTING BITUMINOUS SHOULDER
- ④ EXISTING VARIES FROM AGGREGATE, CURB & GUTTER TYPE B-6.24 AND GUTTER TYPE A
- ⑤ EXISTING CONCRETE MEDIAN
- ⑥ PROPOSED HMA SURFACE REMOVAL 1 3/4"
- ⑦ PROPOSED BITUMINOUS (PRIME COAT)
- ⑧ PROPOSED AGGREGATE (PRIME COAT)
- ⑨ PROPOSED HOT-MIX ASPHALT SURFACE COURSE, MIX D, N90 1 1/2"
- ⑩ PROPOSED LEVELING BINDER (MACHINE METHOD) 3/4"

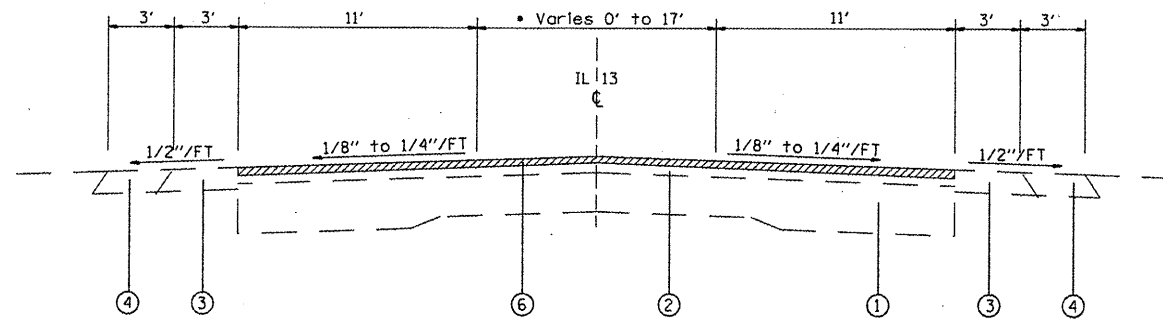
FILE NAME =	USER NAME = karlosol	DESIGNED -	REVISD -
c:\pr_work\PIWIDOT\KARLASAL\0155566\d87644-sh-t-pln.dgn		DRAWN -	REVISD -
PLOT SCALE = 107.3171 / IN.		CHECKED -	REVISD -
PLOT DATE = 3/3/2010		DATE -	REVISD -

**STATE OF ILLINOIS
 DEPARTMENT OF TRANSPORTATION**

TYPICAL SECTIONS

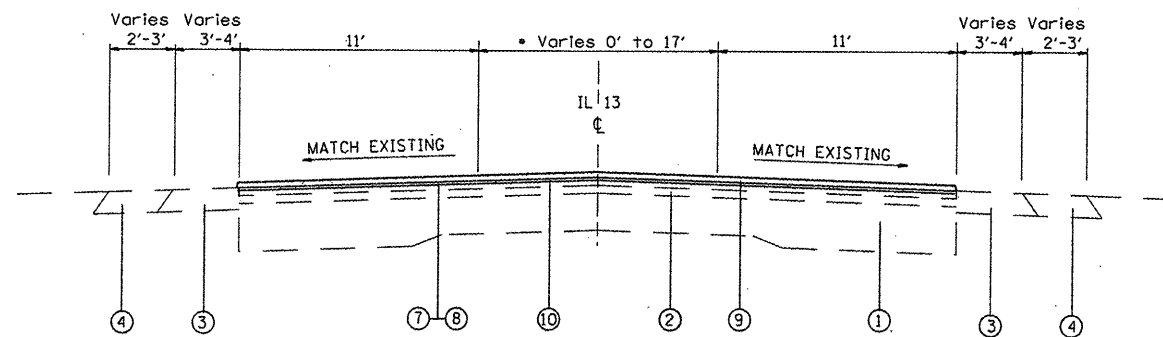
SCALE: _____ SHEET NO. ____ OF ____ SHEETS STA. _____ TO STA. _____

F.A.U. RTE.	SECTION	COUNTY	TOTAL SHEETS	SHEET NO.
9251	26-1RS-3	ST. CLAIR	37	5
FED. ROAD DIST. NO. - ILLINOIS FED. AID PROJECT			CONTRACT NO. 76D44	



EXISTING TYPICAL SECTION
FAU 9251 (IL 13)

STA. 109+61 TO STA. 132+00
STA. 148+11 TO STA. 195+50



PROPOSED TYPICAL SECTION
FAU 9251 (IL 13)

STA. 109+61 TO STA. 132+00
STA. 148+11 TO STA. 195+50

LEGEND

- ① EXISTING PAVEMENT
- ② EXISTING RESURFACING
- ③ EXISTING BITUMINOUS SHOULDER
- ④ EXISTING VARIES FROM AGGREGATE, CURB & GUTTER TYPE B-6.24 AND GUTTER TYPE A
- ⑤ EXISTING CONCRETE MEDIAN
- ⑥ PROPOSED HMA SURFACE REMOVAL 1 3/4"
- ⑦ PROPOSED BITUMINOUS (PRIME COAT)
- ⑧ PROPOSED AGGREGATE (PRIME COAT)
- ⑨ PROPOSED HOT-MIX ASPHALT SURFACE COURSE, MIX D, N90 1 1/2"
- ⑩ PROPOSED LEVELING BINDER (MACHINE METHOD) 3/4"

*RAISED MEDIAN ON BOTH SIDES OF IL 13 AT 11ST INTERSECTION.

NOTE: BI-DIRECTIONAL LANE FROM (11TH STREET & IL 13) INTERSECTION TO (IL 158/IL 13 & CENTREVILLE ROAD) INTERSECTION.

NOTE: BI-DIRECTIONAL LANE FROM (STATE STREET & IL 13/IL 158) INTERSECTION TO (IL 158/IL 13 & IL 159) INTERSECTION.

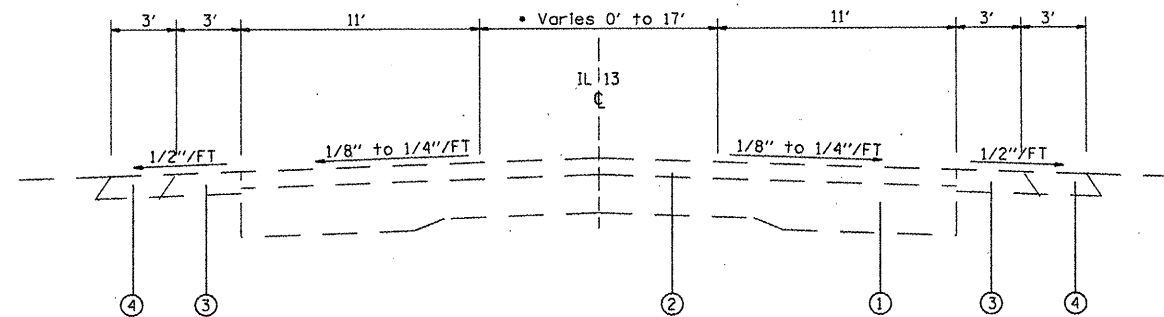
FILE NAME =	USER NAME = karlosal	DESIGNED -	REVISED -
c:\pwork\VPWIDOT\KARLASAL\d0155566\d08	6d44-ah-plen.dgn	DRAWN -	REVISED -
	PLOT SCALE = 107.3171' / IN.	CHECKED -	REVISED -
	PLOT DATE = 3/3/2010	DATE -	REVISED -

STATE OF ILLINOIS
DEPARTMENT OF TRANSPORTATION

TYPICAL SECTIONS

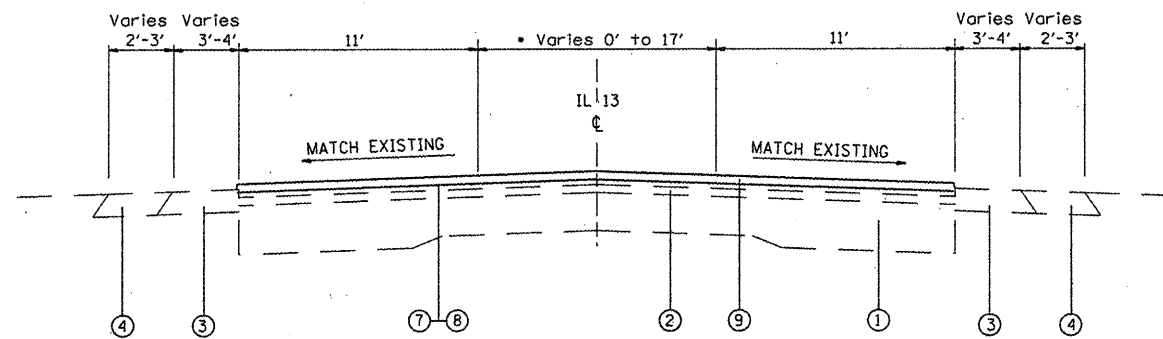
SCALE: _____ SHEET NO. _____ OF _____ SHEETS STA. _____ TO STA. _____

F.A.U. RTE.	SECTION	COUNTY	TOTAL SHEETS	SHEET NO.
9251	26-JRS-3	ST. CLAIR	37	6
FED. ROAD DIST. NO. ILLINOIS FED. AID PROJECT			CONTRACT NO. 76D44	



EXISTING TYPICAL SECTION
FAU 9251 (IL 13)

STA. 132+00 TO STA. 139+14



PROPOSED TYPICAL SECTION
FAU 9251 (IL 13)

STA. 132+00 TO STA. 139+14

LEGEND

- ① EXISTING PAVEMENT
- ② EXISTING RESURFACING
- ③ EXISTING BITUMINOUS SHOULDER
- ④ EXISTING VARIES FROM AGGREGATE,
CURB & GUTTER TYPE B-6.24 AND
GUTTER TYPE A
- ⑤ EXISTING CONCRETE MEDIAN
- ⑥ PROPOSED HMA SURFACE REMOVAL 1 3/4"
- ⑦ PROPOSED BITUMINOUS (PRIME COAT)
- ⑧ PROPOSED AGGREGATE (PRIME COAT)
- ⑨ PROPOSED HOT-MIX ASPHALT SURFACE COURSE, MIX D, N90 1 1/2"
- ⑩ PROPOSED LEVELING BINDER (MACHINE METHOD) 3/4"

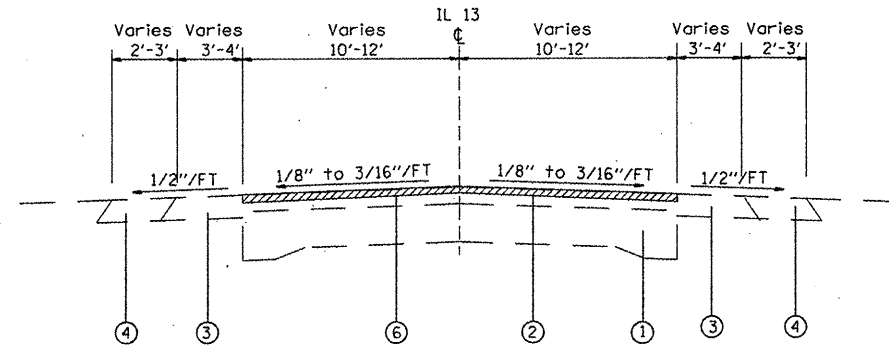
*RAISED MEDIAN ON BOTH SIDES OF IL 13 AT 11ST INTERSECTION.

NOTE: BI-DIRECTIONAL LANE FROM (11TH STREET & IL 13) INTERSECTION TO (IL 158/IL 13 & CENTREVILLE ROAD) INTERSECTION.

NOTE: BI-DIRECTIONAL LANE FROM (STATE STREET & IL 13/IL 158) INTERSECTION TO (IL 158/IL 13 & IL 159) INTERSECTION.

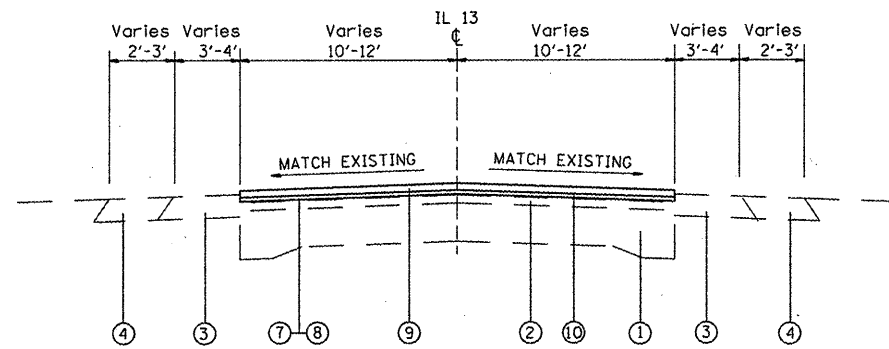
NOTE: DETECTOR LOOPS ARE NOT TO BE DISTURBED IN THIS SECTION.

FILE NAME =	USER NAME = kerlosal	DESIGNED -	REVISED -	STATE OF ILLINOIS DEPARTMENT OF TRANSPORTATION	TYPICAL SECTIONS		F.A. RTE.	SECTION	COUNTY	TOTAL SHEETS	SHEET NO.
c:\pwork\K\PWIDOT\KARLASAL\d0150566\d8644-ahh-pln.dgn		DRAWN -	REVISED -		9251	26-IRS-3	ST. CLAIR	37	7		
PLOT SCALE = 1/8" = 1' / IN.		CHECKED -	REVISED -		SCALE: _____	SHEET NO. _____ OF _____ SHEETS	STA. _____ TO STA. _____	FED. ROAD DIST. NO. _____ ILLINOIS FED. AID PROJECT			
PLOT DATE = 3/3/2010		DATE -	REVISED -								



EXISTING TYPICAL SECTION
FAU 9251 (IL 13)

STA. 139+14 TO STA. 148+11
STA. 195+50 TO STA. 226+57



PROPOSED TYPICAL SECTION
FAU 9251 (IL 13)

STA. 139+14 TO STA. 148+11
STA. 195+50 TO STA. 226+57

LEGEND

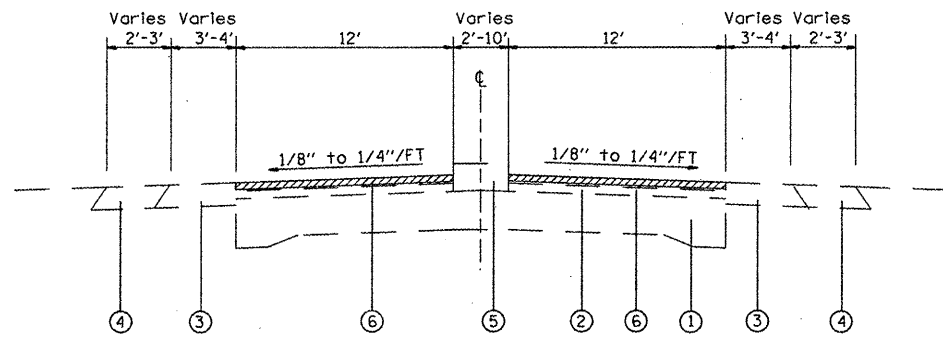
- ① EXISTING PAVEMENT
- ② EXISTING RESURFACING
- ③ EXISTING BITUMINOUS SHOULDER
- ④ EXISTING VARIES FROM AGGREGATE,
CURB & GUTTER TYPE B-6.24 AND
GUTTER TYPE A
- ⑤ EXISTING CONCRETE MEDIAN
- ⑥ PROPOSED HMA SURFACE REMOVAL 1 3/4"
- ⑦ PROPOSED BITUMINOUS (PRIME COAT)
- ⑧ PROPOSED AGGREGATE (PRIME COAT)
- ⑨ PROPOSED HOT-MIX ASPHALT SURFACE COURSE, MIX D, N90 1 1/2"
- ⑩ PROPOSED LEVELING BINDER (MACHINE METHOD) 3/4"

FILE NAME =	USER NAME = korlesal	DESIGNED -	REVISED -
c:\pwwork\p\IDOT\KARLASAL\d0155566\d06	6d44-sht-plan.dgn	DRAWN -	REVISED -
PLOT SCALE = 187.3171' / IN.	CHECKED -	REVISIONS -	REVISIONS -
PLOT DATE = 3/3/2010	DATE -	REVISIONS -	REVISIONS -

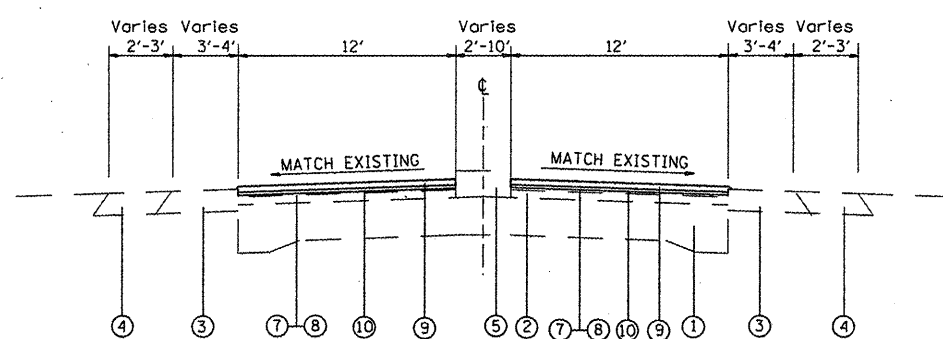
STATE OF ILLINOIS
DEPARTMENT OF TRANSPORTATION

TYPICAL SECTIONS	
SCALE: _____	SHEET NO. ___ OF ___ SHEETS
STA. _____ TO STA. _____	

F.A.U. RTE.	SECTION	COUNTY	TOTAL SHEETS	SHEET NO.
9251	26-185-3	ST. CLAIR	37	8
FED. ROAD DIST. NO. - ILLINOIS FED. AID PROJECT			CONTRACT NO. 76D44	



EXISTING TYPICAL SECTION
 FAU 9251 (IL 13)
 STA. 226+57 TO STA. 229+82



PROPOSED TYPICAL SECTION
 FAU 9251 (IL 13)
 STA. 226+57 TO STA. 229+82

- LEGEND**
- ① EXISTING PAVEMENT
 - ② EXISTING RESURFACING
 - ③ EXISTING BITUMINOUS SHOULDER
 - ④ EXISTING VARIES FROM AGGREGATE, CURB & GUTTER TYPE B-6.24 AND GUTTER TYPE A
 - ⑤ EXISTING CONCRETE MEDIAN
 - ⑥ PROPOSED HMA SURFACE REMOVAL 1 3/4"
 - ⑦ PROPOSED BITUMINOUS (PRIME COAT)
 - ⑧ PROPOSED AGGREGATE (PRIME COAT)
 - ⑨ PROPOSED HOT-MIX ASPHALT SURFACE COURSE, MIX D, N90 1 1/2"
 - ⑩ PROPOSED LEVELING BINDER (MACHINE METHOD) 3/4"

FILE NAME =	USER NAME = korlesal	DESIGNED -	REVISED -
c:\pwork\PIWIDOT\KARLASAL\08155566\0876444-sht-pln.dgn		DRAWN -	REVISED -
PLOT SCALE = 107.3171' / IN.		CHECKED -	REVISED -
PLOT DATE = 3/3/2010		DATE -	REVISED -

STATE OF ILLINOIS
DEPARTMENT OF TRANSPORTATION

----- **TYPICAL SECTIONS** -----
 SCALE: _____ SHEET NO. ____ OF ____ SHEETS STA. _____ TO STA. _____

F.A.U. RTE.	SECTION	COUNTY	TOTAL SHEETS	SHEET NO.
9251	26-IRS-3	ST. CLAIR	37	9
FED. ROAD DIST. NO. - ILLINOIS FED. AID PROJECT			CONTRACT NO. 76D44	

MATCH LINE STA. 109+11

START PROJECT

11TH ST
STA. 114+72.1

10TH ST
STA. 118+94.5

WESTRIDGE DR
121+58.5

7TH ST
128+44.9

GERT-ANN DR

IL 158/
CENTREVILLE AVE

GUNTERMAN ST

MATCH LINE STA. 150+86

FILE NAME =	USER NAME = kerlesol	DESIGNED -	REVISD -
c:\pw\work\FWIDOT\KARLASAL\d0155566\d086444-sht-plan.dgn		DRAWN -	REVISD -
PLOT SCALE = 1/8" = 100' / IN.		CHECKED -	REVISD -
PLOT DATE = 3/3/2010		DATE -	REVISD -

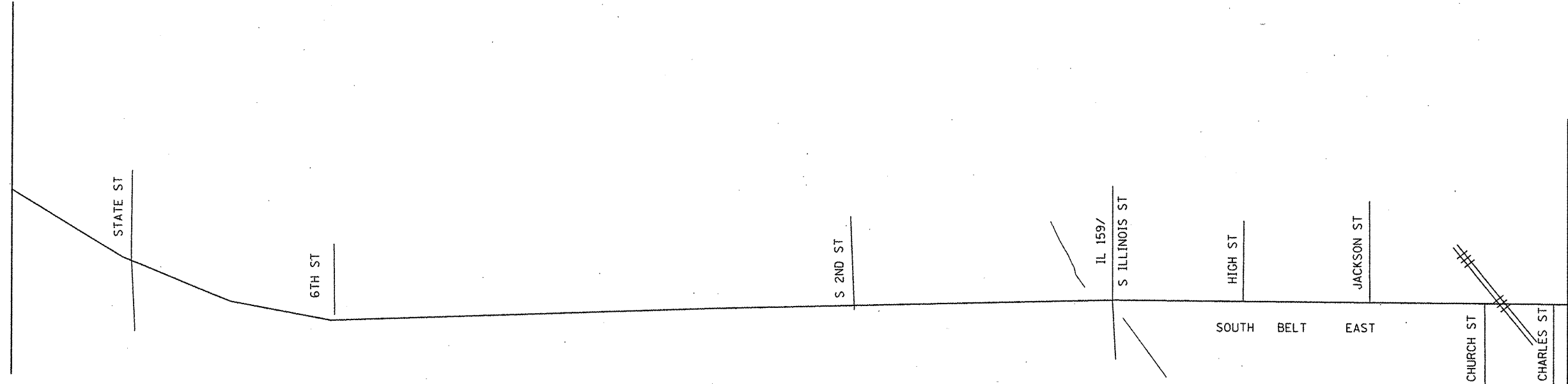
**STATE OF ILLINOIS
DEPARTMENT OF TRANSPORTATION**

LOCATION MAP

SCALE: N/A SHEET NO. ___ OF ___ SHEETS STA. 109+11 TO STA. 150+86

F.A.U. RTE.	SECTION	COUNTY	TOTAL SHEETS	SHEET NO.
9251	26-1RS-3	ST. CLAIR	37	10
FED. ROAD DIST. NO. 1 ILLINOIS FED. AID PROJECT			CONTRACT NO. 76D44	

MATCH LINE STA. 150 + 86



MATCH LINE STA. 198 + 04

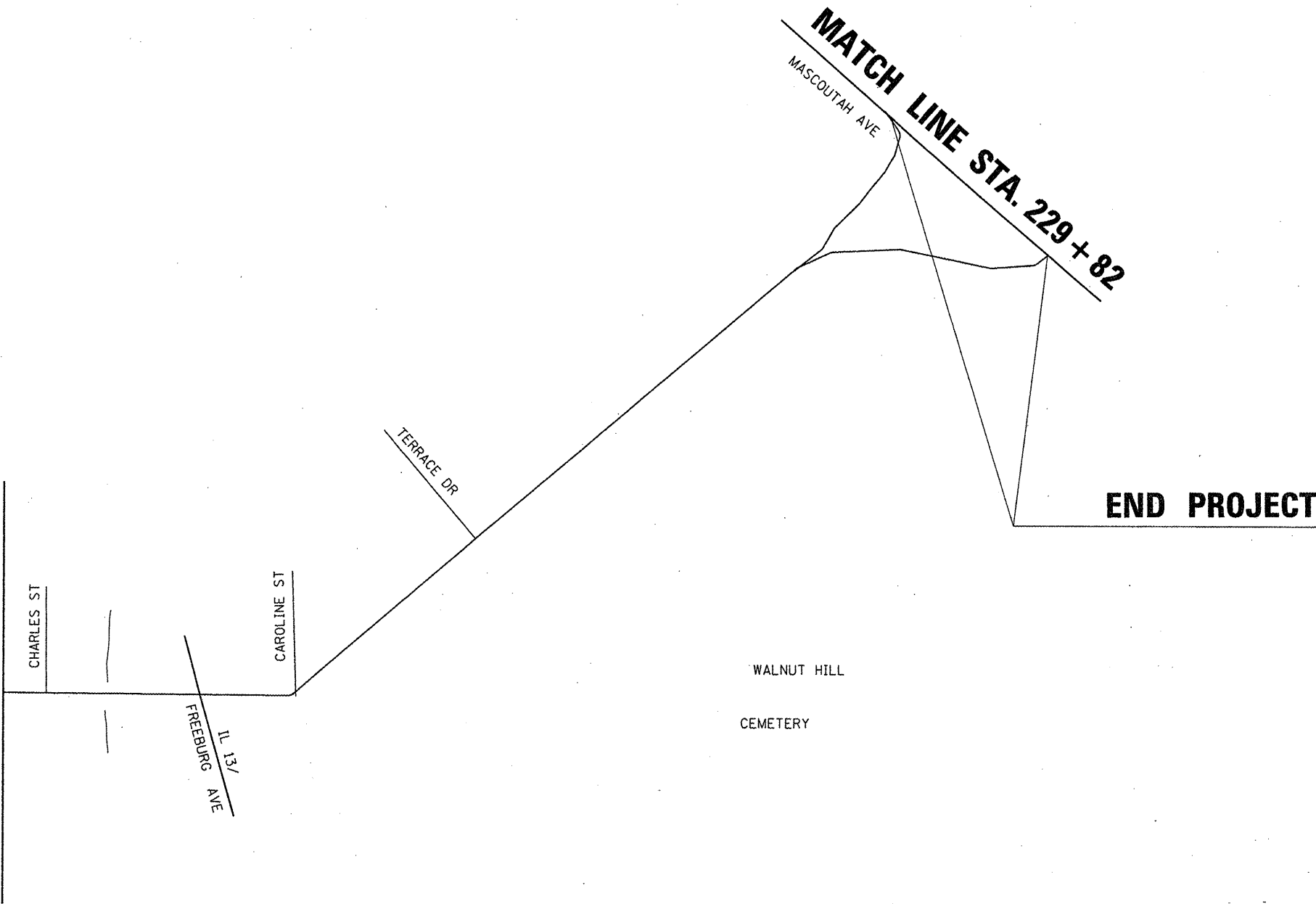
FILE NAME = c:\pwwork\VPWIDOT\KARLASAL\d0159566\d08	USER NAME = karlesal 8d44-ahf-plen.dgn	DESIGNED - ---	REVISED - ---
	PLOT SCALE = 1/8" = 1' / IN.	DRAWN - ---	REVISED - ---
	PLOT DATE = 3/3/2010	CHECKED - ---	REVISED - ---
		DATE - ---	REVISED - ---

**STATE OF ILLINOIS
DEPARTMENT OF TRANSPORTATION**

LOCATION MAP	
SCALE: 1/8" = 1'	SHEET NO. ___ OF ___ SHEETS
STA. 150+86 TO STA. 198+04	

F.A.A. RTE. 9251	SECTION 26-1B5-3	COUNTY ST. CLAIR	TOTAL SHEETS 37	SHEET NO. 11
FED. ROAD DIST. NO. ILLINOIS FED. AID PROJECT			CONTRACT NO. 76D44	

MATCH LINE STA. 198 + 04



FILE NAME =	USER NAME = korlesel	DESIGNED -	REVISED -
c:\pwwork\FWIDOT\KARLASAL\d0155566\d876444-sht-plan.dgn		DRAWN -	REVISED -
	PLOT SCALE = 1/8" = 1' / IN.	CHECKED -	REVISED -
	PLOT DATE = 3/3/2010	DATE -	REVISED -

**STATE OF ILLINOIS
DEPARTMENT OF TRANSPORTATION**

LOCATION MAP

SCALE: N/A SHEET NO. OF SHEETS STA. 198+04 TO STA. 229+82

F.A.U. RTE.	SECTION	COUNTY	TOTAL SHEETS	SHEET NO.
9251	26-185-3	ST. CLAIR	37	12
CONTRACT NO. 76D44			ILLINOIS FED. AID PROJECT	

HMA QUANTITIES

LOCATION			AREA (SQ YD)	HMA SURFACE COURSE (TON)	LEVELING BINDER (MACHINE METHOD) (TON)	406		HMA SURFACE REMOVAL, 1 3/4" (SY)
STA.	TO	STA.				BITUMINOUS MATERIALS (PRIME COAT) (TON)	AGGREGATE MATERIALS (PRIME COAT) (TON)	
109+11	-	109+61	111.0	9.3	4.7	0.07	0.33	111.0
109+61	-	112+16	1525.0	128.1	64.1	0.95	4.58	1525.0
112+16	-	117+05 (11th St.)	3810.8	320.1	160.1	2.38	11.43	3810.8
117+05	-	132+91	5815.3	488.5	230.2	3.64	17.45	5485
132+91	-	138+32 (IL 158)	3109.3	261.2	0	1.95	9.33	0
138+32	-	138+65	113.7	9.6	0	0.07	0.34	0
138+65	-	148+28	2140.0	179.8	83.9	1.34	6.42	2010
148+28	-	152+28	1177.8	98.9	49.5	0.74	3.53	1177.8
152+28	-	179+84	10105.3	848.8	424.4	6.32	30.32	10105.3
179+84	-	185+85	2715.9	228.1	114.1	1.70	8.15	2715.9
185+85	-	192+47	2868.7	241.0	120.5	1.80	8.61	2868.7
192+47	-	195+49	986.6	82.9	41.4	0.62	2.96	986.6
195+49	-	200+08	1275.0	107.1	53.6	0.80	3.83	1275.0
200+08	-	202+96	1088.0	91.4	45.7	0.68	3.26	1088.0
202+96	-	208+38	1626.0	136.6	68.3	1.02	4.88	1626.0
208+38	-	219+37.9	2933.3	246.4	123.2	1.84	8.80	2933.3
219+37.9	-	225+05	2322.2	195.1	97.5	1.45	6.97	2322.2
225+05	-	229+82 (Right Ramp)	284.7	23.9	12.0	0.18	0.85	284.7
Left Ramp			551.1	46.3	23.1	0.34	1.65	551.1
TOTAL				3743	1716.6	27.9	134	40877

CONCRETE V-GUTTER & REMOVAL

LOCATION NUMBER	LOCATION DESCRIPTION	CONCRETE GUTTER REMOVAL (FOOT)	CONC. GUTTER T-A (FOOT)
1	IL 13 & 158 INTESECTION ADJACENT TO QT	40	40
2	EAST OF IL 13 & 158 INTERSECTION RIGHT SIDE	530	530
3	EAST OF IL 13 & 158 INTERSECTION LEFT SIDE	530	530
TOTAL		1100	1100

FILE NAME =	USER NAME = karlesal	DESIGNED -	REVISED -	STATE OF ILLINOIS DEPARTMENT OF TRANSPORTATION	SCHEDULE OF QUANTITIES	F.A.P. RTE.	SECTION	COUNTY	TOTAL SHEETS	SHEET NO.	
ca:\pwwork\pwwid\karlasal\0155566\d8	6d44-sht-plen.dgn	DRAWN -	REVISED -			9251	26-1RS-3	ST. CLAIR	37	13	
	PLOT SCALE = 1/8" = 1' IN.	CHECKED -	REVISED -			SCALE: _____ SHEET NO. _____ OF _____ SHEETS STA. _____ TO STA. _____		CONTRACT NO. 76D44			
	PLOT DATE = 3/3/2010	DATE -	REVISED -			FED. ROAD DIST. NO. - ILLINOIS FED. AID PROJECT					

TEMPORARY RAMPS

LOCATION NUMBER	LOCATION DESCRIPTION	TEMPORARY RAMPS (SQ YD)
1	Sta. 109+11	11.1
2	11th Street (Both sides)	136.1
3	10th Street	36.1
4	Gersana St.	33.3
5	IL 158	144.4
6	IL 158	44.4
7	State Street	166.7
8	6th Street	27.8
9	IL 159	94.4
10	High Street	55.6
11	Jackson Street	38.9
12	RailRoad	63.9
13	Church Street	88.9
14	Charles Street	47.2
15	IL 13	102.8
16	Caroline Street	30.6
17	Terrace Street	27.8
18	West Street	33.3
19	End Project Mainline	83.3
20	End Project Ramp	8.9
TOTAL		1275

LOCATING UNDERGROUND CABLE

LOCATION NUMBER	LOCATION DESCRIPTION	LOCATING UNDERGROUND CABLE (FOOT)
1	IL 13 & IL 158 JUST EAST OF QT	475
2	IL 13 & STATE STREET	86
3	IL 159 & IL 13	72
TOTAL		633

GUARDRAIL REMOVAL

LOCATION NUMBER	LOCATION DESCRIPTION	GUARDRAIL REMOVAL (FOOT)
1	2 SEGMENTS WEST OF 11TH STREET	48
2	APPROXIMATELY 250' EAST OF CENTREVILLE AVE.	300
3	BOX CULVERT EAST OF HEARTHSIDE	30
TOTAL		378

FILE NAME =	USER NAME = karlosal	DESIGNED -	REVISED -	STATE OF ILLINOIS DEPARTMENT OF TRANSPORTATION	SCHEDULE OF QUANTITIES		F.A.P. RTE.	SECTION	COUNTY	TOTAL SHEETS	SHEET NO.
ci:\pwork\pwork\DOT\KARLASAL\00155586\0876d44-sht-plan.dgn	DRAWN -	REVISED -	9251				26-185-3	ST. CLAIR	37	14	
	PLOT SCALE = 107.3171' / IN.	CHECKED -	REVISED -		SCALE: _____ SHEET NO. ____ OF ____ SHEETS STA. _____ TO STA. _____		CONTRACT NO. 76D44				
	PLOT DATE = 3/3/2010	DATE -	REVISED -		FED. ROAD DIST. NO. _____ ILLINOIS FED. AID PROJECT						

GUARDRAIL

LOCATION NUMBER	LOCATION DESCRIPTION	SPBGR, TYPE A 6 FT POSTS (FOOT)	SPBGR, ATTACHED TO STRUCTURE (FT)	TBT, TYPE 1 (SPEC) TANGENT (EACH)	SPBGR (SHORT RADIUS) (FT)
1	APPROXIMATELY 250' EAST OF CENTREVILLE AVE.	375.00		2	
2	BOX CULVERT AT IL 13/IL 158 AND IL 159	12.50	67.5	2	37.5
3	BOX CULVERT EAST OF HEARTHSTIDE	31.25	31.25	2	
TOTAL		418.75	98.75	6	37.5

REFLECTOR AND TERMINAL MARKERS

LOCATION NUMBER	LOCATION DESCRIPTION	REFLECTOR MARKERS, TYPE A (EACH)	TERMINAL MARKER DIRECT APPLIED (EACH)
1	APPROXIMATELY 250' EAST OF CENTREVILLE AVE.	6	2
2	BOX CULVERT AT IL 13/IL 158 AND IL 159	10	2
3	BOX CULVERT EAST OF HEARTHSTIDE	5	2
TOTAL		21	6

PARTIAL DEPTH PATCHING

LOCATION	LENGTH (FT)	WIDTH (FT)	AREA (SQ YD)	HMA SURFACE REMOVAL 2 1/4" (SQ YD)	HMA INCIDENTAL (TONS)	BIT. MATERIALS (PRIME COAT) (TONS)
STA. 111+75 (EB)	4	20	8.9	8.9	1.1	0.01
STA. 125+45 (LTL)	12	30	40.0	40.0	5.0	0.01
STA. 140+79 (LT TURN LANE)	4	24	10.7	10.7	1.3	0.01
143+96 (WB)	6	50	33.3	33.3	4.2	0.01
STA. 147+13 (WB)	6	30	20.0	20.0	2.5	0.01
				112.9	14.2	0.05

408

FILE NAME =	USER NAME = korleal	DESIGNED -	REVISED -	STATE OF ILLINOIS DEPARTMENT OF TRANSPORTATION	SCHEDULE OF QUANTITIES		F.A.E. RTE.	SECTION	COUNTY	TOTAL SHEETS	SHEET NO.
c:\pwork\PIWIDOT\KARLASAL\0155566\d08	6d44-sht-plan.dgn	DRAWN -	REVISED -				9251	26-JRS-3	ST. CLAIR	37	15
PLOT SCALE = 107.3171' / IN.	CHECKED -	REVISED -			SCALE: _____ SHEET NO. ___ OF ___ SHEETS STA. _____ TO STA. _____		FED. ROAD DIST. NO. _____ ILLINOIS FED. AID PROJECT		CONTRACT NO. 76D44		
PLOT DATE = 3/3/2010	DATE -	REVISED -									

PAVEMENT MARKING										
LOCATION	THERMO PAV'T MARK - WHITE 4"	THERMO PAV'T MARK -	THERMO PAV'T MARK - SKIP-DASH	THERMO PAV'T MARK - WHITE 6"	THERMO PAV'T MARK - WHITE 8"	THERMO PAV'T MARK - WHITE 12"	THERMO PAV'T MARK - YELLOW 12"	THERMO PAV'T MARK - WHITE 24"	THERMO PAV'T MARK - L & S	PAINT PAV'T MARK - 4"
	FOOT	FOOT	FOOT	FOOT	FOOT	FOOT	FOOT	FOOT	SQ FT	FOOT
109+11 TO 114+72	1254	1960		221	205	42	210		31.2	85
114+72 TO 135+84	4487	4353	780	200	205	111	65		374.4	85
135+84 TO 155+38	4100	4750				92	187		114.4	
155+38 TO 183+81	6083.6	5496	1200	139		91			644.8	
183+81 TO 202+95	3716.4	4069	280	72		127	93	48	321.1	
202+95 TO 217+30	2788	1385	210			12				
217+30 to 229+82.6	3053	4118	100			42	110			
SUB TOTAL	25482	26131	2570	632	410	517	665	48	1485.9	170
TOTAL		54183		632	410		1182	48	1486	170

PAVEMENT MARKING TO MATCH EXISTING EXCEPT WHERE SHOWN DIFFERENT IN THE INTERSECTION DETAILS.

PAINT PAVEMENT MARKING INTENDED FOR MEDIANS AT 11TH STREET AND IL 13.

RAISED REFLECTOR MARKERS				
LOCATION	RAISED REFLEC PAV'T MARK- DOUBLE AMBER	RAISED REFLEC PAV'T MARK- WHITE OPAQUE	RAISED REFLEC PAV'T MARK- REMOVAL	PRISMATIC CURB REFLECTOR
	EACH	EACH	EACH	EACH
109+11 TO 114+72	2	25	27	10
114+72 TO 135+84	84	21	105	10
135+84 TO 155+38	25	34	59	
155+38 TO 183+81	132	14	146	
183+81 TO 202+95	46	24	70	
202+95 TO 229+82.6	21	15	36	40
SUBTOTAL	310	133		
TOTALS		443	443	60

FILE NAME =	USER NAME = korlojal	DESIGNED -	REVISED -	STATE OF ILLINOIS DEPARTMENT OF TRANSPORTATION	SCHEDULE OF QUANTITIES	F.A.P. RTE.	SECTION	COUNTY	TOTAL SHEETS	SHEET NO.	
c:\pwork\pwork\KARLASAL\00155566\d8	6044-sht-plen.dgn	DRAWN -	REVISED -			9251	26-185-3	ST. CLAIR	37	16	
PLOT SCALE = 107.3171' / IN.		CHECKED -	REVISED -			CONTRACT NO. 76D44					
PLOT DATE = 3/3/2010		DATE -	REVISED -			FED. ROAD DIST. NO. ILLINOIS FED. AID PROJECT					

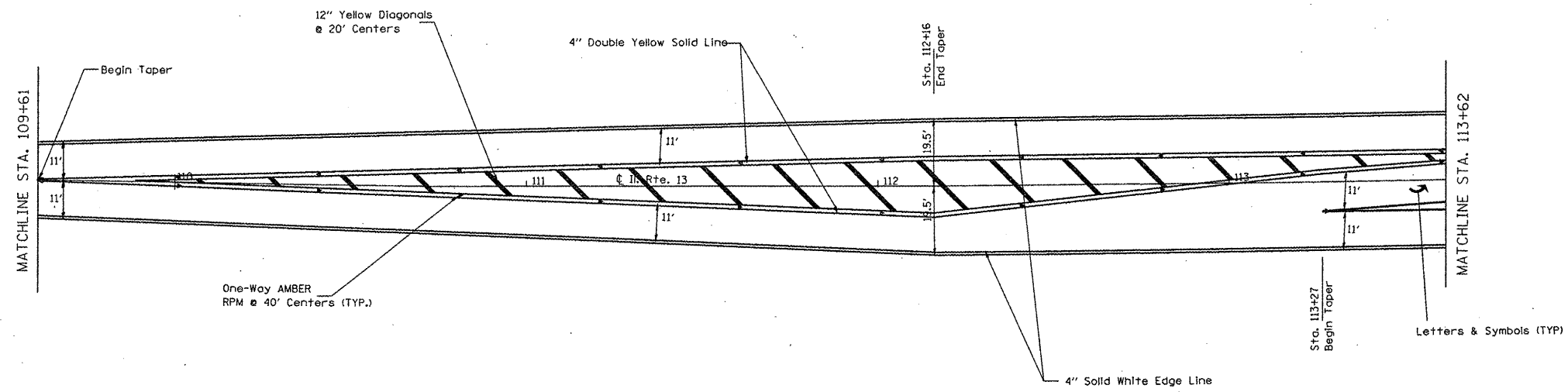
CLASS D PATCHES, 12 IN

LOCATION	LENGTH (FT)	WIDTH (FT)	AREA (SQ YD)	TYPE I (SQ YD)	TYPE II (SQ YD)	TYPE III (SQ YD)	TYPE IV (SQ YD)
STA. 117+56 (EB)	8	12	10.7		10.7		
STA. 117+56 (WB)	8	12	10.7		10.7		
STA. 117+56 (CL)	8	12	10.7		10.7		
STA. 120+20 (EB)	20	12	26.7				26.7
STA. 120+20 (WB)	20	12	26.7				26.7
STA. 120+20 (CL)	20	12	26.7				26.7
STA. 129+70 (EB)	6	12	8.0		8.0		
STA. 129+70 (WB)	6	12	8.0		8.0		
STA. 129+70 (CL)	6	12	8.0		8.0		
STA. 131+81 (EB)	6	12	8.0		8.0		
STA. 131+81 (WB)	6	12	8.0		8.0		
STA. 131+81 (CL)	6	12	8.0		8.0		
STA. 135+51 (EB)	20	12	26.7				26.7
STA. 135+51 (WB)	20	12	26.7				26.7
STA. 135+51 (CL)	20	12	26.7				26.7
STA. 135+80 (EB)	20	12	26.7				26.7
STA. 135+80 (WB)	20	12	26.7				26.7
STA. 135+80 (CL)	20	12	26.7				26.7
STA. 136+00 (WB)	20	12	26.7				26.7
STA. 136+35 (WB)	530	6	353.3				353.3
STA. 139+73 (EB)	20	12	26.7				26.7
STA. 139+73 (WB)	20	12	26.7				26.7
STA. 139+73 (CL)	20	12	26.7				26.7
STA. 140+79 (EB)	20	12	26.7				26.7
STA. 140+79 (WB)	20	12	26.7				26.7
STA. 140+79 (CL)	20	12	26.7				26.7
STA. 141+32 (EB)	20	12	26.7				26.7
STA. 141+32 (WB)	20	12	26.7				26.7
STA. 141+32 (CL)	20	12	26.7				26.7
STA. 141+58 (EB)	20	12	26.7				26.7
STA. 141+58 (WB)	20	12	26.7				26.7
STA. 141+58 (CL)	20	12	26.7				26.7
STA. 141+85 (EB)	12	12	16.0			16.0	
STA. 141+85 (WB)	12	12	16.0			16.0	
STA. 141+85 (CL)	12	12	16.0			16.0	
STA. 143+43 (EB)	20	12	26.7				26.7
STA. 143+43 (WB)	20	12	26.7				26.7
STA. 185+67 (EB)	12	12	16.0			16.0	
STA. 185+67 (TL)	12	12	16.0			16.0	
STA. 185+67 (TL)	12	12	16.0			16.0	
STA. 185+67 (WB)	12	12	16.0			16.0	
STA. 193+59 (EB)	6	12	8.0		8.0		
STA. 193+59 (WB)	6	12	8.0		8.0		
STA. 193+59 (CL)	6	12	8.0		8.0		
STA. 196+23 (EB)	6	12	8.0		8.0		
STA. 196+23 (WB)	6	12	8.0		8.0		
STA. 196+23 (CL)	6	12	8.0		8.0		
STA. 241+11 (WB)	6	12	8.0		8.0		
15% ANTICIPATE FAILURES				20.4	16.8		149.115
TOTALS				156.5	128.8		1143.2

SHORT-TERM PAVEMENT MARKING & WORK ZONE REMOVAL

LOCATION (STA. - STA.)	SHORT-TERM PM (FT)	WORK ZONE PM REMOVAL (SQ FT)
109+11 TO 109+61	96	10.6
109+61 TO 117+61	264	29.0
117+61 TO 132+00	1812	199.3
132+00 TO 139+24	408	44.9
139+24 TO 148+11	744	81.8
148+11 TO 157+25	1320	145.2
157+25 TO 181+20	2880	316.8
181+20 TO 186+45	756	83.2
186+45 TO 196+08	1152	126.7
196+08 TO 226+57	1848	203.3
TOTAL	11280	1240.8

FILE NAME =	USER NAME = karlesol	DESIGNED -	REVISED -	STATE OF ILLINOIS DEPARTMENT OF TRANSPORTATION	SCHEDULE OF QUANTITIES		F.A.I. RTE.	SECTION	COUNTY	TOTAL SHEETS	SHEET NO.
es:\pv_work\FWIDOT\KARLASAL\0155566\d07644-shr-plot.dgn	DRAWN -	REVISED -	9251				26-IRS-3	ST. CLAIR	37	17	
PLOT SCALE = 1/8" = 1' / IN.	CHECKED -	REVISED -	CONTRACT NO. 76D44								
PLOT DATE = 3/3/2010	DATE -	REVISED -	SCALE: _____				SHEET NO. ____ OF ____ SHEETS	STA. _____ TO STA. _____	FED. ROAD DIST. NO. - [ILLINOIS] FED. AID PROJECT		



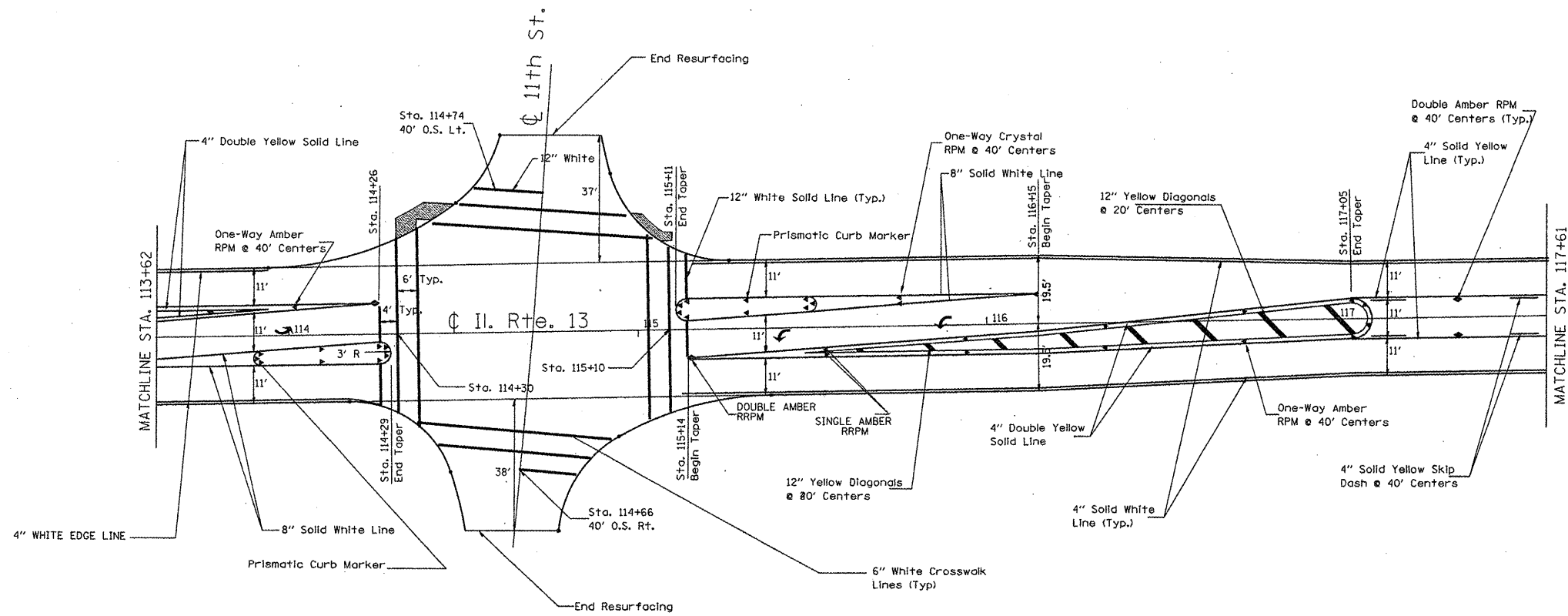
FILE NAME =	USER NAME = #USER#	DESIGNED -	REVISED -
#FILE#		DRAWN -	REVISED -
	PLOT SCALE = #SCALE#	CHECKED -	REVISED -
	PLOT DATE = #DATE#	DATE -	REVISED -

**STATE OF ILLINOIS
DEPARTMENT OF TRANSPORTATION**

INTERSECTION DETAIL

SCALE: 1"=40' SHEET NO. ___ OF ___ SHEETS STA. 109+61 TO STA. 113+62

F.A.P. RTE.	SECTION	COUNTY	TOTAL SHEETS	SHEET NO.
9251	26-1RS-3	ST. CLAIR	37	18
FED. ROAD DIST. NO. - [ILLINOIS] FED. AID PROJECT			CONTRACT NO. 76D44	



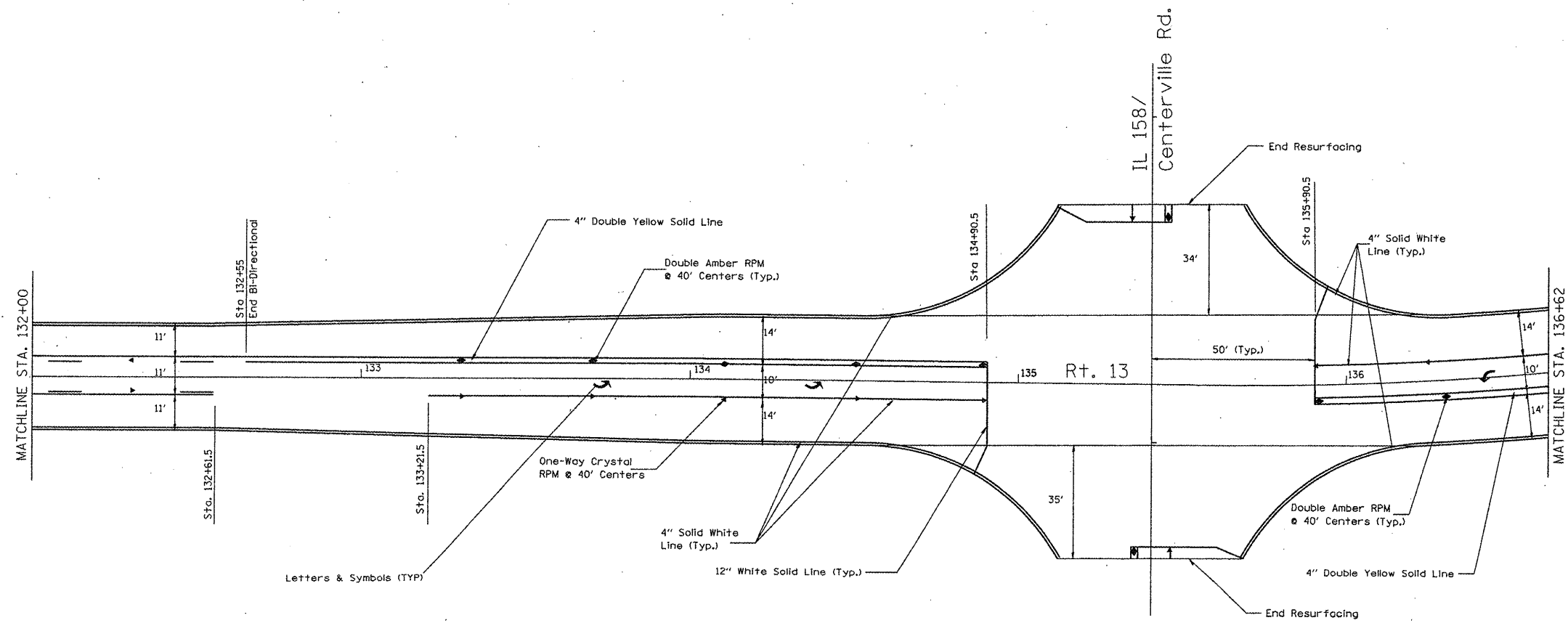
FILE NAME =	USER NAME = #USER#	DESIGNED -	REVISD -
#FILE#		DRAWN -	REVISD -
	PLOT SCALE = #SCALE#	CHECKED -	REVISD -
	PLOT DATE = #DATE#	DATE -	REVISD -

**STATE OF ILLINOIS
DEPARTMENT OF TRANSPORTATION**

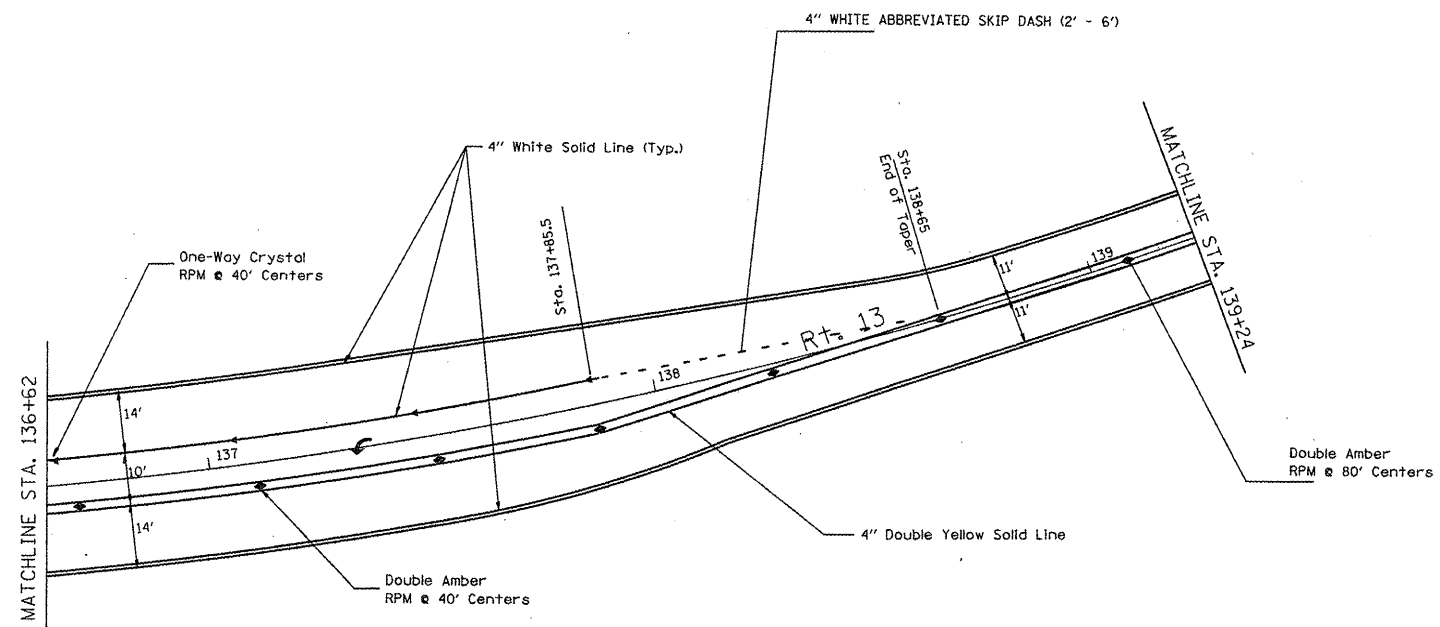
INTERSECTION DETAIL

SCALE: 1"=40' SHEET NO. ___ OF ___ SHEETS STA. 113+62 TO STA. 117+61

F.A.P. RTE.	SECTION	COUNTY	TOTAL SHEETS	SHEET NO.
9251	26-1RS-3	ST. CLAIR	37	19
FED. ROAD DIST. NO. ILLINOIS FED. AID PROJECT			CONTRACT NO. 76D44	



FILE NAME =	USER NAME = #USER#	DESIGNED -	REVISED -	STATE OF ILLINOIS DEPARTMENT OF TRANSPORTATION	INTERSECTION DETAIL		F.A.U. RTE.	SECTION	COUNTY	TOTAL SHEETS	SHEET NO.	
#FILE#		DRAWN -	REVISED -		SCALE: 1"=40'	SHEET NO. OF SHEETS	STA. 132+00 TO STA. 136+62	9251	26-IRS-3	ST. CLAIR	37	20
		CHECKED -	REVISED -								CONTRACT NO. 76D44	
		DATE -	REVISED -					FED. ROAD DIST. NO. [ILLINOIS] FED. AID PROJECT				



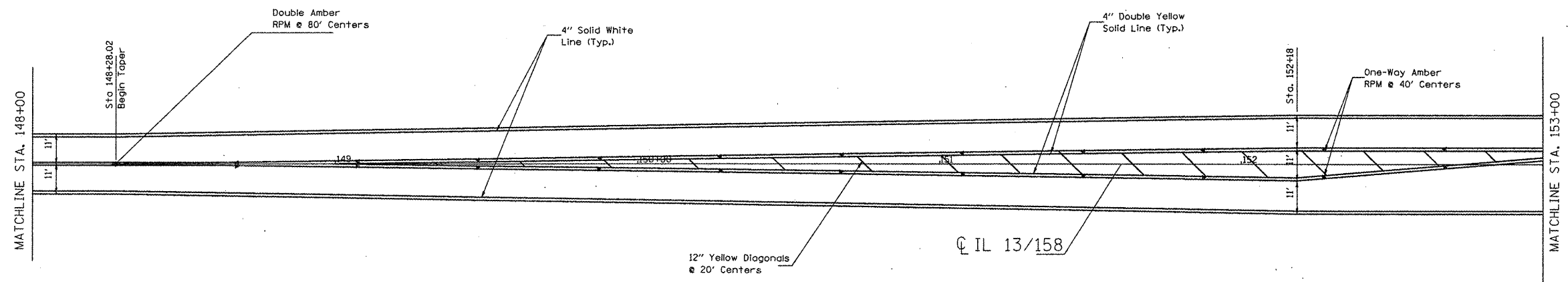
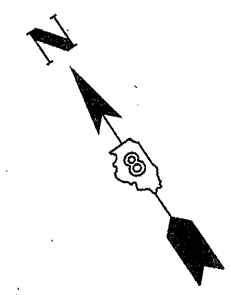
FILE NAME =	USER NAME = #USER#	DESIGNED -	REVISD -
#FILE#		DRAWN -	REVISD -
	PLOT SCALE = #SCALE#	CHECKED -	REVISD -
	PLOT DATE = #DATE#	DATE -	REVISD -

**STATE OF ILLINOIS
DEPARTMENT OF TRANSPORTATION**

INTERSECTION DETAIL

SCALE: 1"=40' SHEET NO. ___ OF ___ SHEETS STA. 136+62 TO STA. 139+24

F.A.U. RTE.	SECTION	COUNTY	TOTAL SHEETS	SHEET NO.
9251	26-1RS-3	ST. CLAIR	37	21
FED. ROAD DIST. NO. _ ILLINOIS FED. AID PROJECT			CONTRACT NO. 76D44	



FILE NAME =
#FILE#

USER NAME = #USER#
DRAWN -
CHECKED -
DATE -

DESIGNED -
DRAWN -
CHECKED -
DATE -

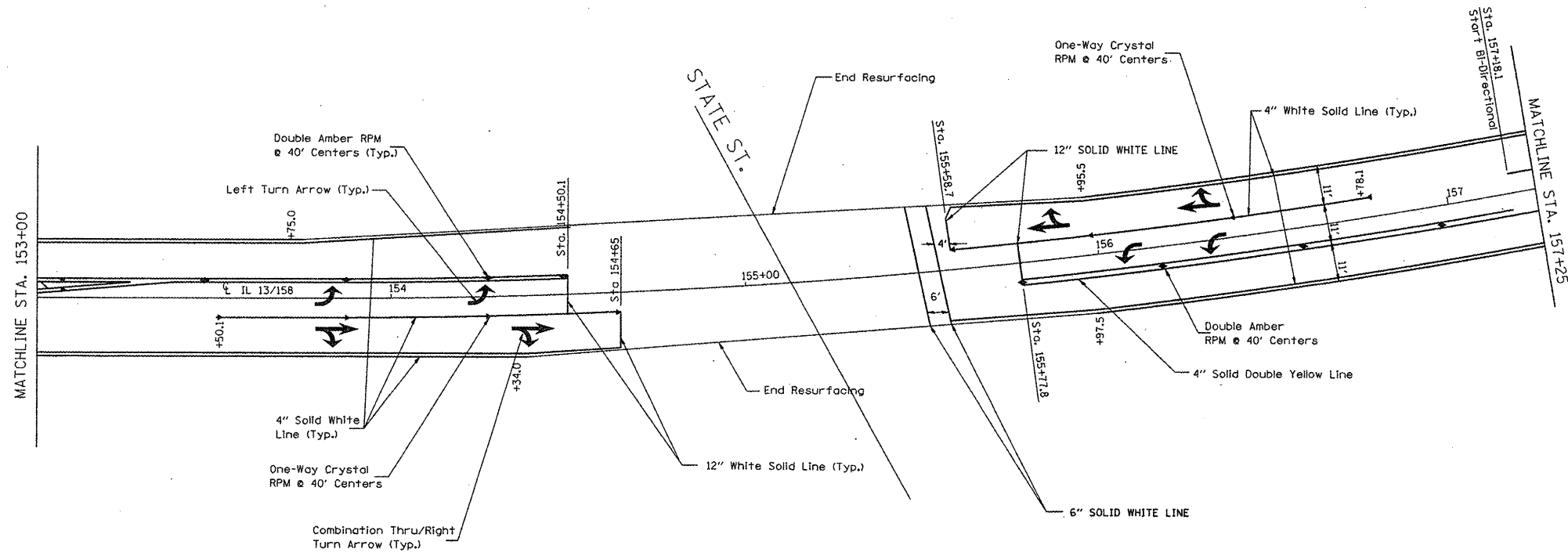
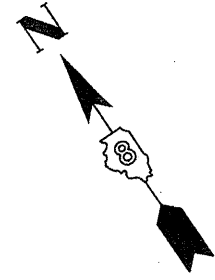
REVISED -
REVISED -
REVISED -
REVISED -

**STATE OF ILLINOIS
DEPARTMENT OF TRANSPORTATION**

INTERSECTION DETAIL

SCALE: 1"=40' SHEET NO. ___ OF ___ SHEETS STA. 148±00 TO STA. 153±00

F.A.U. RTE.	SECTION	COUNTY	TOTAL SHEETS	SHEET NO.
9251	26-1RS-3	ST. CLAIR	37	22
CONTRACT NO. 76D44				
FED. ROAD DIST. NO. ILLINOIS FED. AID PROJECT				



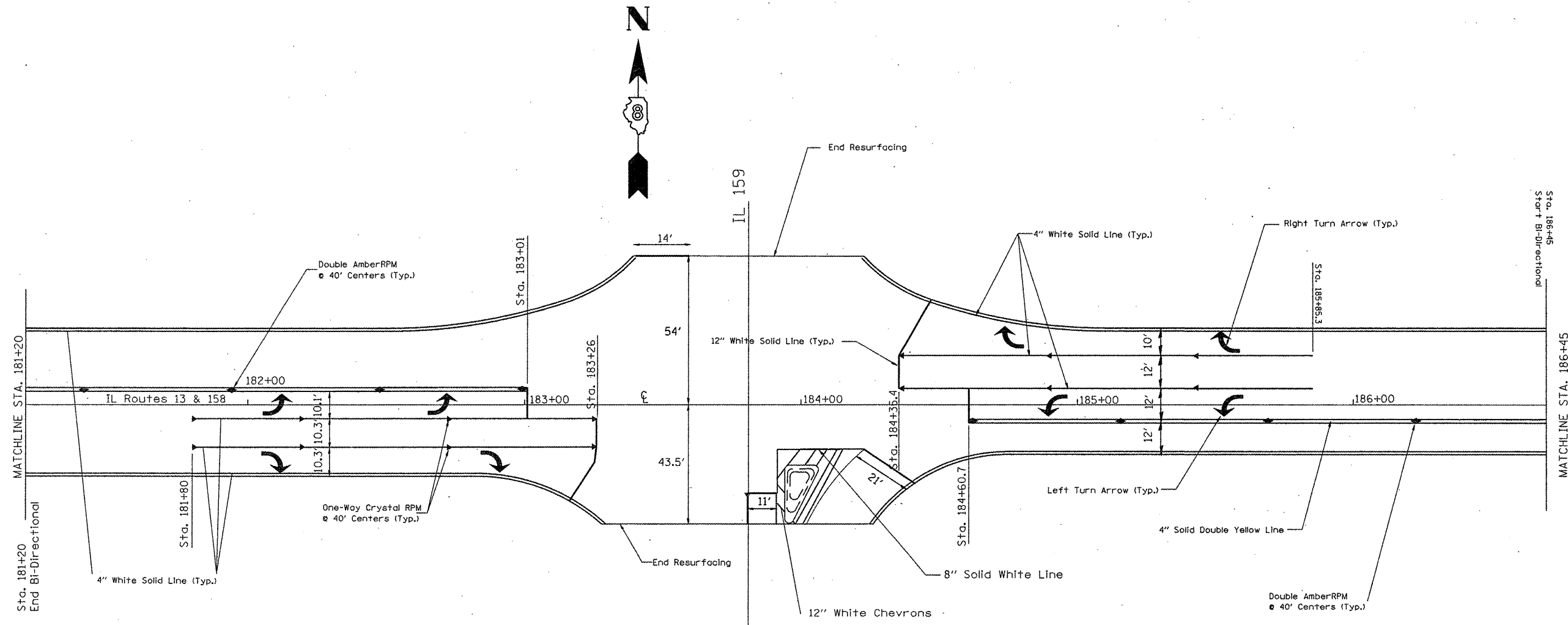
FILE NAME =	USER NAME = #USER#	DESIGNED -	REVISD -
#FILE#		DRAWN -	REVISD -
	PLOT SCALE = #SCALE#	CHECKED -	REVISD -
	PLOT DATE = #DATE#	DATE -	REVISD -

**STATE OF ILLINOIS
DEPARTMENT OF TRANSPORTATION**

INTERSECTION DETAIL

SCALE: 1"=40' SHEET NO. ___ OF ___ SHEETS STA. 153+00 TO STA. 157+25

F.A.U. RTE.	SECTION	COUNTY	TOTAL SHEETS	SHEET NO.
9251	26-IRS-3	ST. CLAIR	37	23
FED. ROAD DIST. NO. - ILLINOIS FED. AID PROJECT				CONTRACT NO. 76D44



FILE NAME =
#FILE#

USER NAME = #USER#
DRAWN -
CHECKED -
DATE -

DESIGNED -
DRAWN -
CHECKED -
DATE -

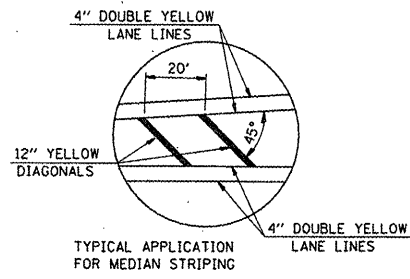
REVISED -
REVISED -
REVISED -
REVISED -

**STATE OF ILLINOIS
DEPARTMENT OF TRANSPORTATION**

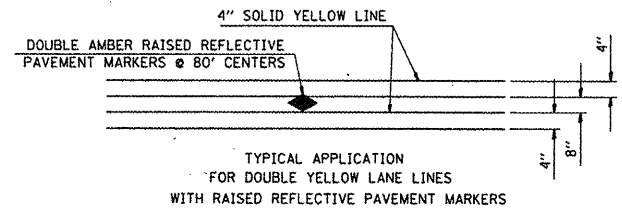
INTERSECTION DETAIL

SCALE: 1"=40' SHEET NO. ___ OF ___ SHEETS STA. 181±20 TO STA. 186±45

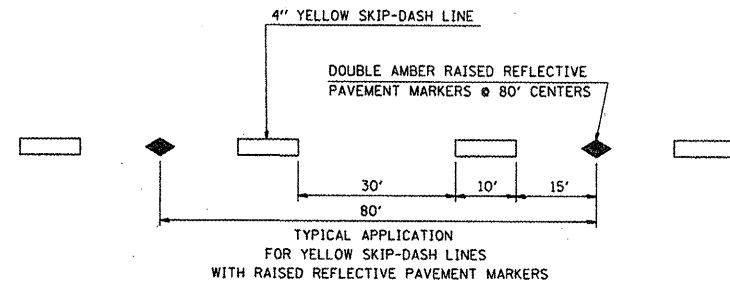
F.A.U. RTE.	SECTION	COUNTY	TOTAL SHEETS	SHEET NO.
9251	26-IRS-3	ST. CLAIR	37	24
FED. ROAD DIST. NO. - ILLINOIS FED. AID PROJECT			CONTRACT NO. 76D44	



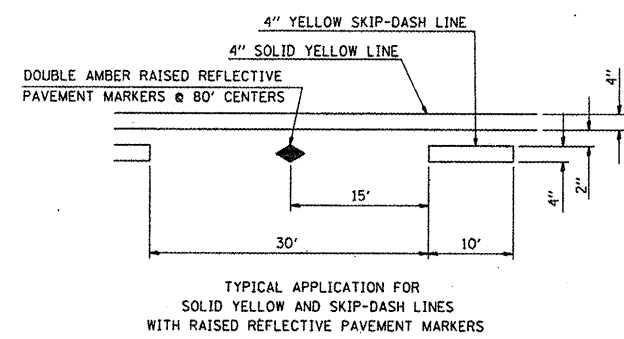
DETAIL 'A'
NOT TO SCALE



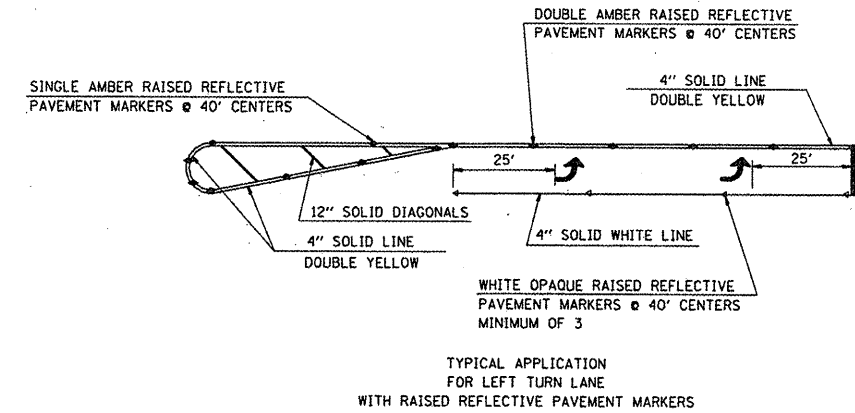
DETAIL 'B'



DETAIL 'C'



DETAIL 'D'



DETAIL 'E'

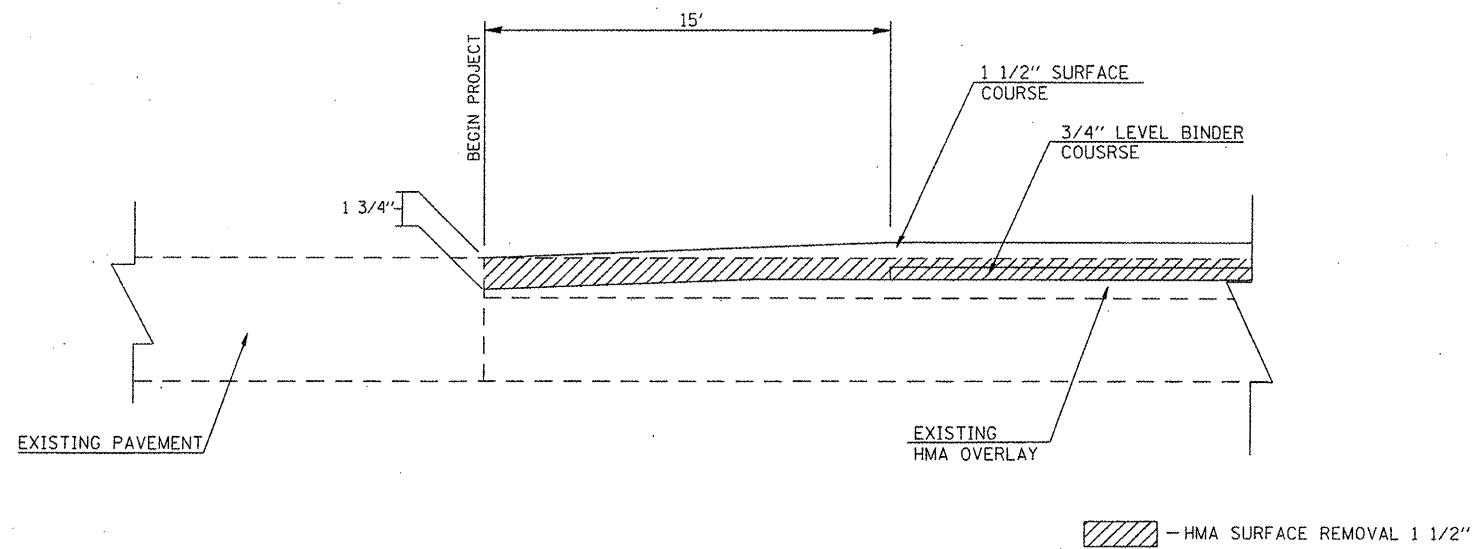
FILE NAME =	USER NAME = #USER#	DESIGNED -	REVISED -
#FILE#		DRAWN -	REVISED -
	PLOT SCALE = #SCALE#	CHECKED -	REVISED -
	PLOT DATE = #DATE#	DATE -	REVISED -

**STATE OF ILLINOIS
DEPARTMENT OF TRANSPORTATION**

MISCELLANEOUS DETAILS

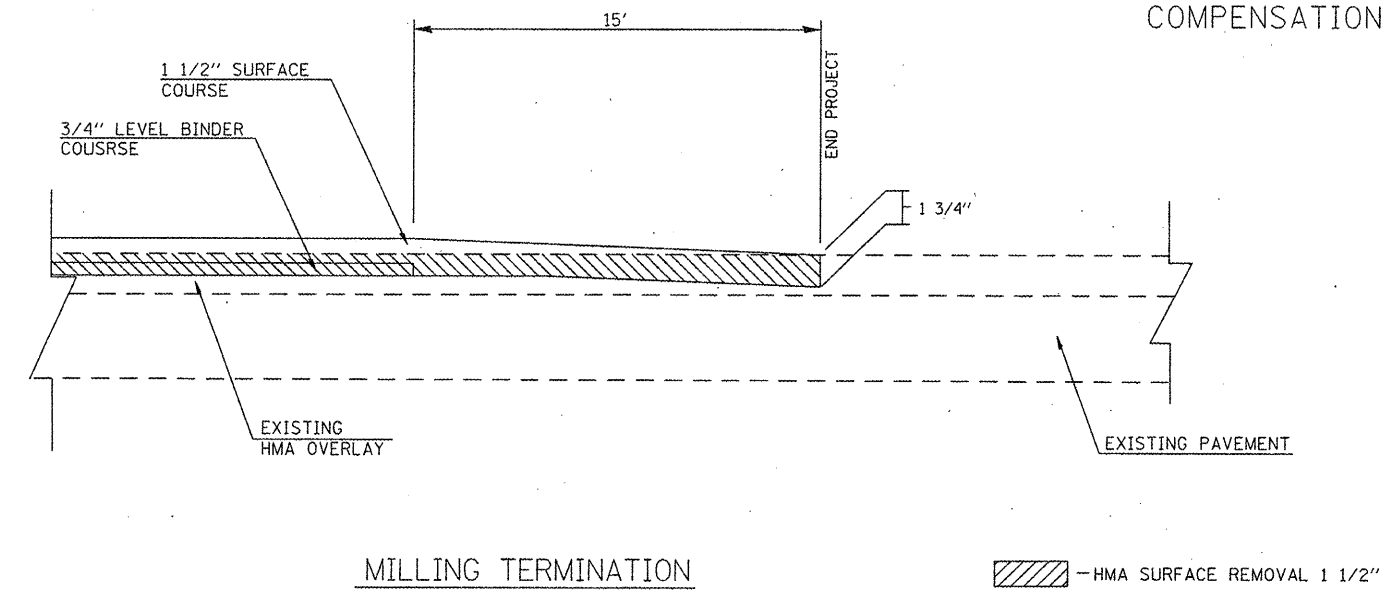
SCALE: _____ SHEET NO. _____ OF _____ SHEETS STA. _____ TO STA. _____

F.A.U. RTE.	SECTION	COUNTY	TOTAL SHEETS	SHEET NO.
9251	26-1RS-3	ST. CLAIR	37	25
FED. ROAD DIST. NO. - [ILLINOIS] FED. AID PROJECT			CONTRACT NO. 76D44	



MILLING TERMINATION

NOTE: MILLING TERMINATION WORK TO BE INCLUDED IN HMA SURFACE REMOVAL 1 3/4" PAY ITEM. NO ADDITIONAL COMPENSATION WILL BE ALLOWED.



MILLING TERMINATION

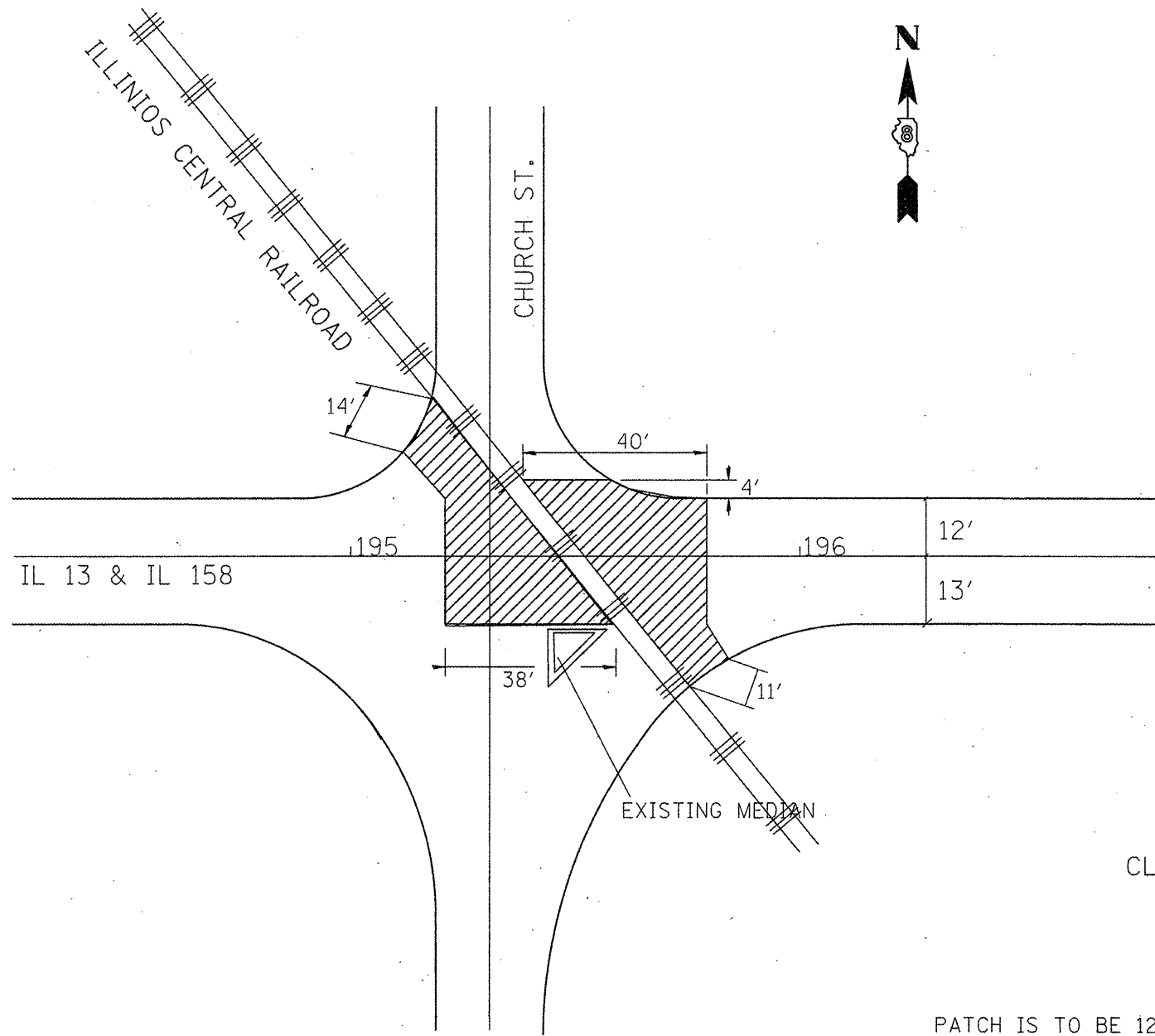
FILE NAME =	USER NAME = #USER#	DESIGNED -	REVISED -
#FILE#		DRAWN -	REVISED -
		CHECKED -	REVISED -
		DATE -	REVISED -

STATE OF ILLINOIS
DEPARTMENT OF TRANSPORTATION

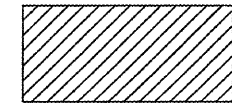
MISCELLANEOUS DETAIL

SCALE: _____ SHEET NO. ____ OF ____ SHEETS STA. _____ TO STA. _____

F.A.U. RTE.	SECTION	COUNTY	TOTAL SHEETS	SHEET NO.
9251	26-IRS-3	ST. CLAIR	37	26
FED. ROAD DIST. NO. _____ ILLINOIS FED. AID PROJECT			CONTRACT NO. 76044	



CLASS D PATCH 12"



PATCH IS TO BE 12" MINIMUM THICKNESS REGARDLESS OF ADJACENT PAVEMENT THICKNESS.

PLAN VIEW OF PATCH AT RAILROAD

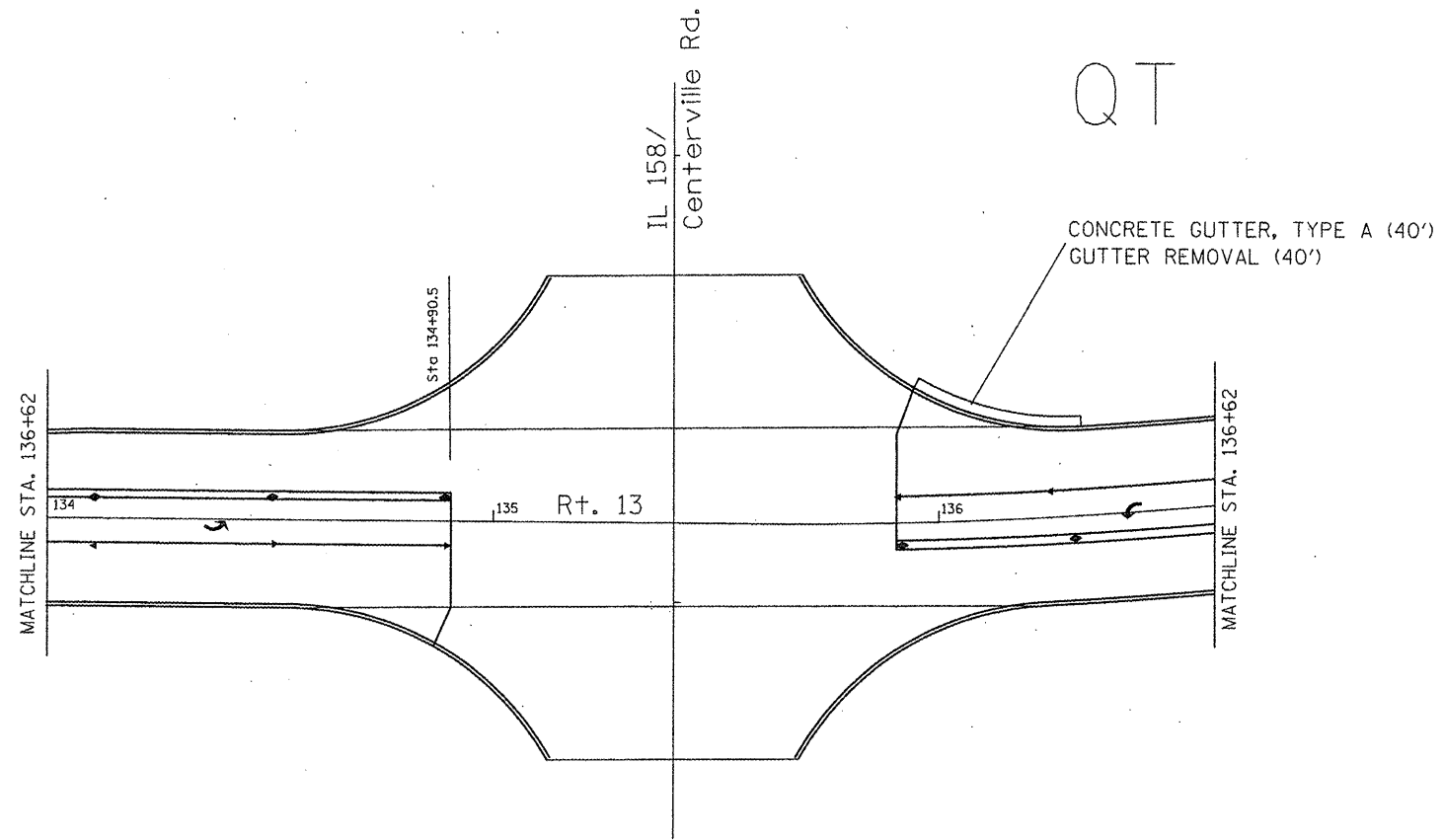
FILE NAME =	USER NAME = *USER*	DESIGNED -	REVISED -
#FILE#		DRAWN -	REVISED -
	PLOT SCALE = *SCALE*	CHECKED -	REVISED -
	PLOT DATE = *DATE*	DATE -	REVISED -

STATE OF ILLINOIS
DEPARTMENT OF TRANSPORTATION

MISCELLANEOUS DETAILS

SCALE: _____ SHEET NO. ___ OF ___ SHEETS STA. _____ TO STA. _____

F.A.U. RTE.	SECTION	COUNTY	TOTAL SHEETS	SHEET NO.
9251	26-IRS-3	ST. CLAIR	37	27
FED. ROAD DIST. NO. - ILLINOIS FED. AID PROJECT			CONTRACT NO. 76D44	



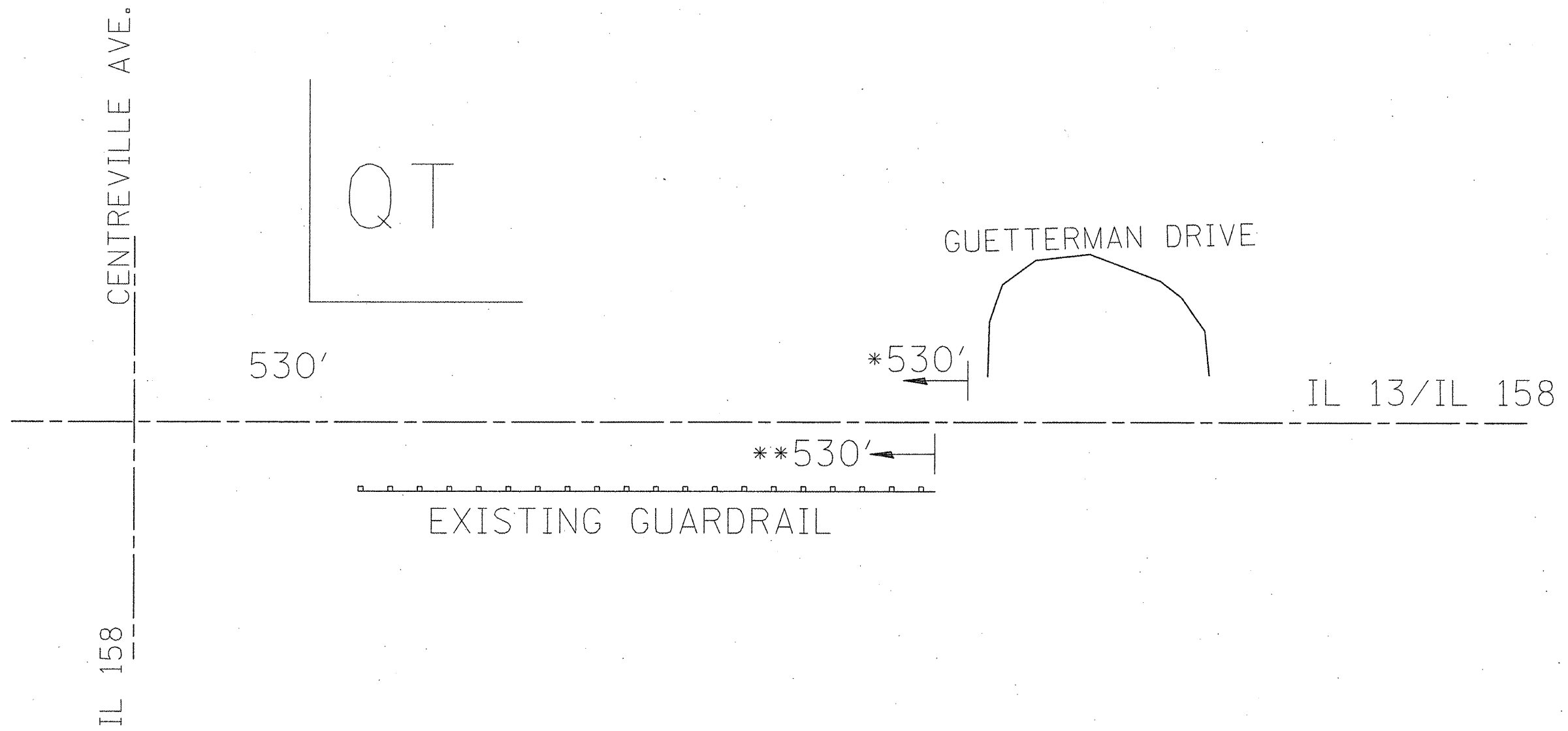
FILE NAME =	USER NAME = #USER#	DESIGNED -	REVISÉ -
#FILE#		DRAWN -	REVISÉ -
	PLOT SCALE = #SCALE#	CHECKED -	REVISÉ -
	PLOT DATE = #DATE#	DATE -	REVISÉ -

**STATE OF ILLINOIS
DEPARTMENT OF TRANSPORTATION**

CONCRETE V-GUTTER DETAIL

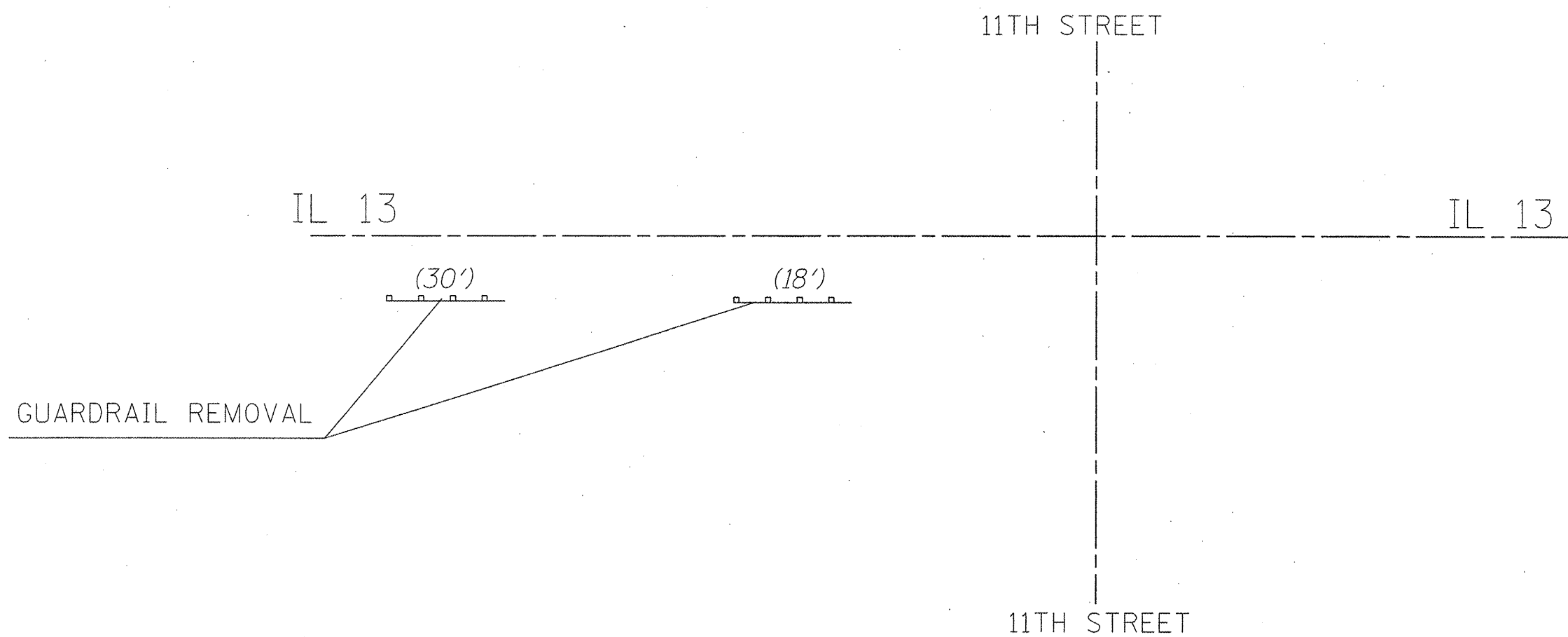
F.A.U. RTE.	SECTION	COUNTY	TOTAL SHEETS	SHEET NO.
9251	26-1RS-3	ST. CLAIR	37	28
FED. ROAD DIST. NO. - ILLINOIS			CONTRACT NO. 76044	
FED. AID PROJECT				

SCALE: 1"=40' SHEET NO. OF SHEETS STA. TO STA.



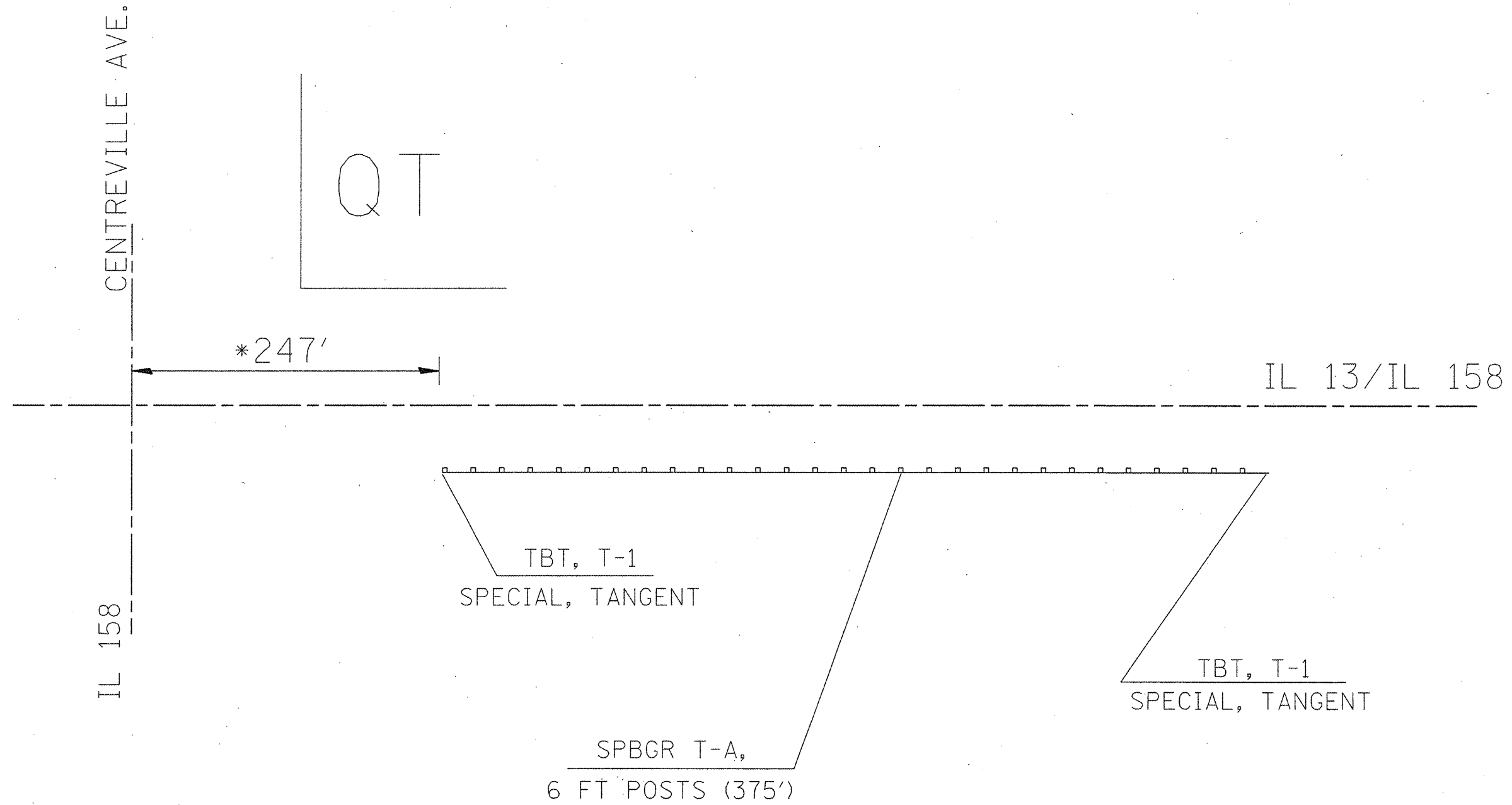
- * 530 OF PROPOSED GUTTER REMOVAL AND CONCRETE V-GUTTER TYPE A, FROM GUETTERMAN DRIVE TO WEST
- ** 530 OF PROPOSED GUTTER REMOVAL AND CONCRETE V-GUTTER TYPE A, FROM THE EAST END OF EXISTING GUARDRAIL TO WEST

FILE NAME = #FILEL#	USER NAME = #USER#	DESIGNED - ---	REVISED - ---	STATE OF ILLINOIS DEPARTMENT OF TRANSPORTATION	CONCRETE V-GUTTER DETAIL		F.A.U. RTE. 9251	SECTION 26-1RS-3	COUNTY ST. CLAIR	TOTAL SHEETS 37	SHEET NO. 29
	PLOT SCALE = #SCALE#	CHECKED - ---	REVISED - ---		SCALE: 1"=40'	SHEET NO. ___ OF ___ SHEETS	STA. _____ TO STA. _____	CONTRACT NO. 76D44		FED. ROAD DIST. NO. [ILLINOIS] FED. AID PROJECT	
	PLOT DATE = #DATE#	DATE - -----	REVISED - ---								



NOT TO SCALE

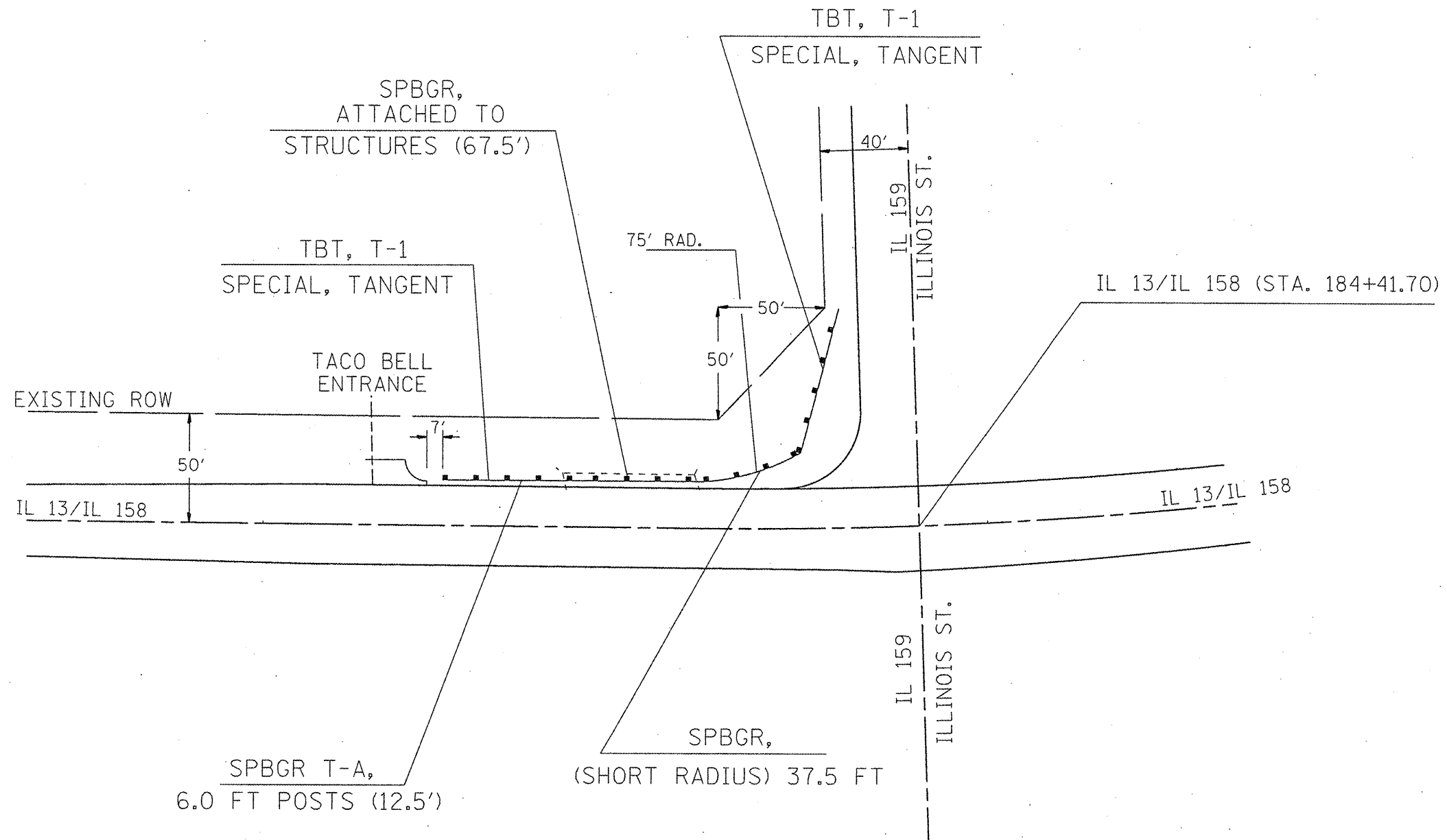
FILE NAME =	USER NAME = #USER#	DESIGNED - ---	REVISED - ---	STATE OF ILLINOIS DEPARTMENT OF TRANSPORTATION	GUARDRAIL DETAILS (LOCATION 1)	F.A.U. RTE.	SECTION	COUNTY	TOTAL SHEETS	SHEET NO.	
#FILE#		DRAWN - ---	REVISED - ---			9251	26-IRS-3	ST. CLAIR	37	30	
	PLOT SCALE = #SCALE#	CHECKED - ---	REVISED - ---			CONTRACT NO. 76D44					
	PLOT DATE = #DATE#	DATE - -----	REVISED - ---			FED. ROAD DIST. NO. ILLINOIS FED. AID PROJECT					
				SCALE: _____ SHEET NO. ___ OF ___ SHEETS STA. _____ TO STA. _____							



NOTE: 300' OF EXISTING GUARDRAIL TO BE REMOVED AT THIS LOCATION.
 475' OF "LOCATE UNDERGROUND CABLE"

NOT TO SCALE

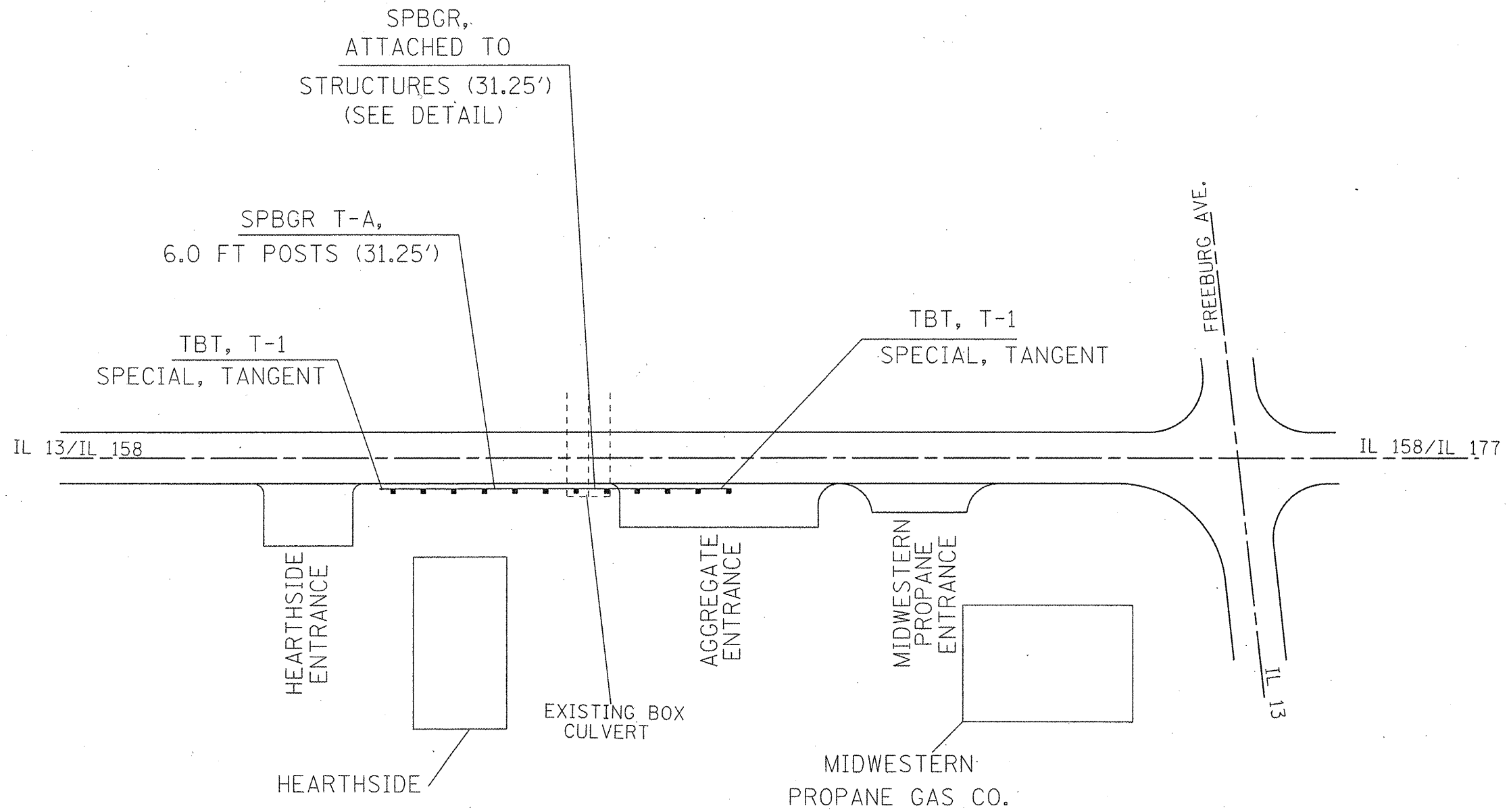
FILE NAME =	USER NAME = #USER#	DESIGNED -	REVISED -	STATE OF ILLINOIS DEPARTMENT OF TRANSPORTATION	GUARDRAIL DETAILS (LOCATION 2)	F.A.U. RTE.	SECTION	COUNTY	TOTAL SHEETS	SHEET NO.	
#FILEL#		DRAWN -	REVISED -			9251	26-1RS-3	ST. CLAIR	37	31	
		CHECKED -	REVISED -			CONTRACT NO. 76D44					
		DATE	REVISED			ILLINOIS FED. AID PROJECT					
				SCALE: _____ SHEET NO. ____ OF ____ SHEETS STA. _____ TO STA. _____							



NOTE: EXISTING ROW LOCATION WAS TAKEN FROM MICROFILM AND SHOULD BE ASSUMED APPROXIMATE.

NOT TO SCALE

FILE NAME =	USER NAME = #USER#	DESIGNED -	REVISED -	STATE OF ILLINOIS DEPARTMENT OF TRANSPORTATION	GUARDRAIL DETAILS (LOCATION 3)	F.A.U. RTE.	SECTION	COUNTY	TOTAL SHEETS	SHEET NO.	
#FILE#		DRAWN -	REVISED -			9251	26-1RS-3	ST. CLAIR	37	32	
PLOT SCALE = #SCALE#		CHECKED -	REVISED -			CONTRACT NO. 76D44					
PLOT DATE = #DATE#		DATE -	REVISED -			ILLINOIS FED. AID PROJECT					
					SCALE: _____	SHEET NO. _____ OF _____ SHEETS		STA. _____ TO STA. _____			



NOT TO SCALE

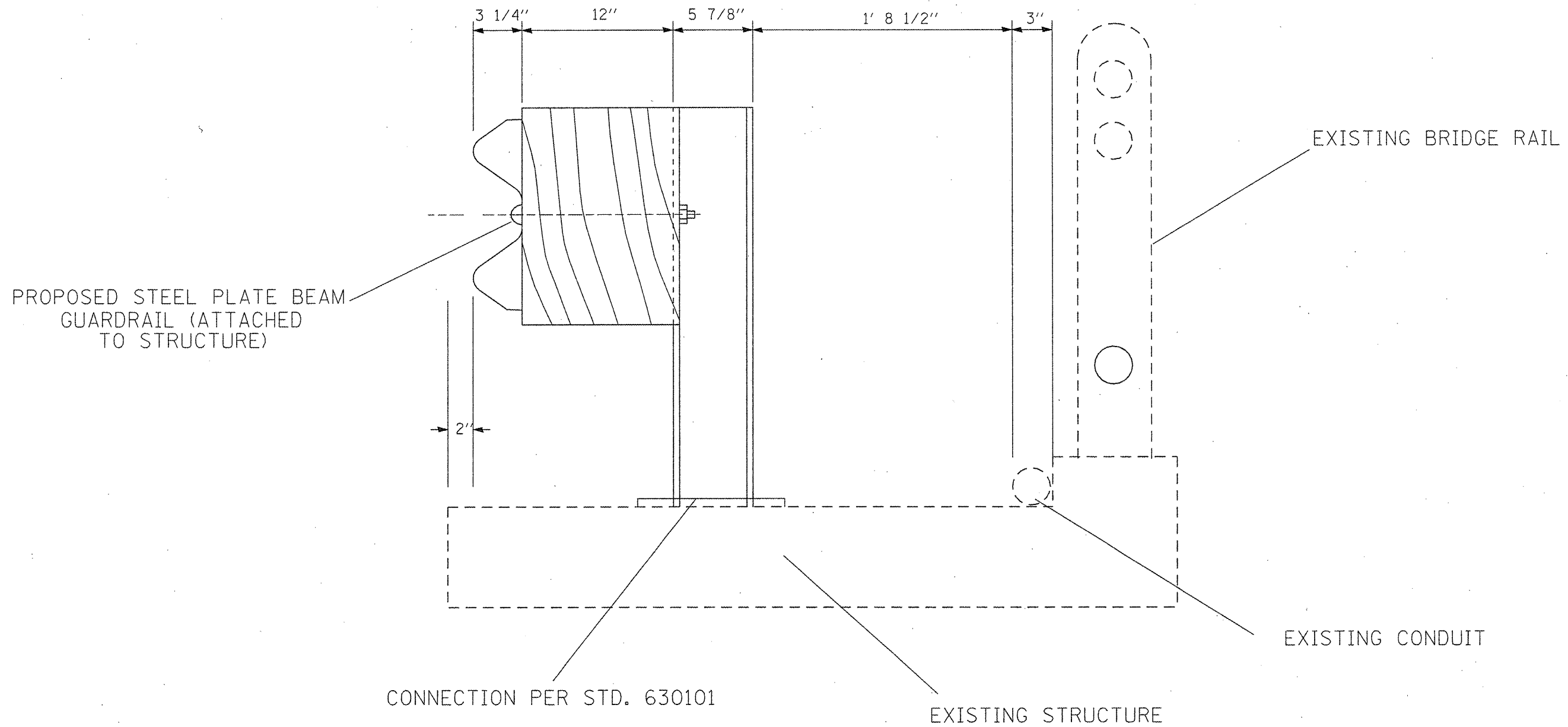
FILE NAME =	USER NAME = *USER*	DESIGNED -	REVISED -
#FILE#		DRAWN -	REVISED -
	PLOT SCALE = *SCALE*	CHECKED -	REVISED -
	PLOT DATE = *DATE*	DATE -	REVISED -

STATE OF ILLINOIS
DEPARTMENT OF TRANSPORTATION

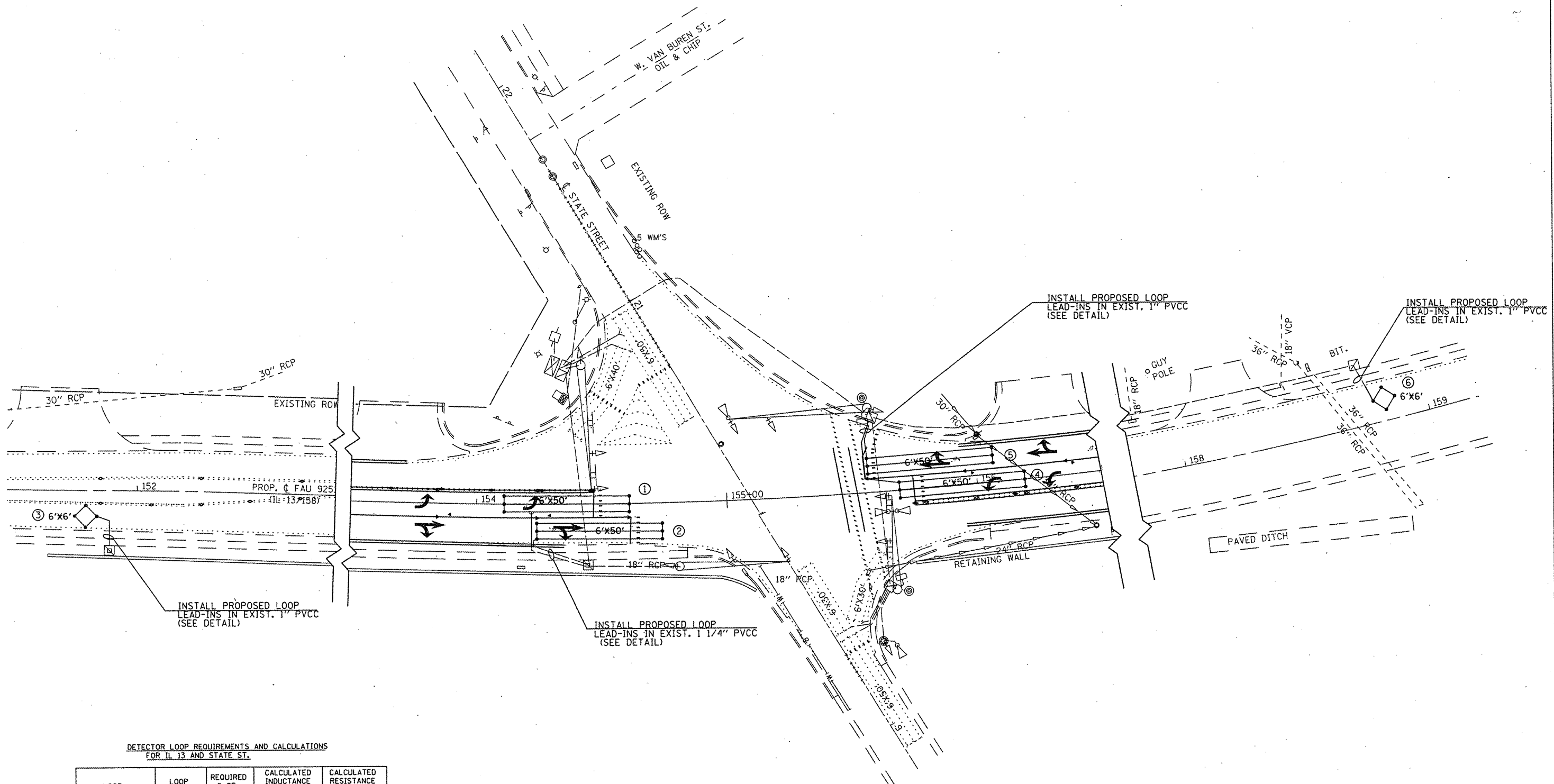
GUARDRAIL DETAILS (LOCATION 4)

SCALE: _____ SHEET NO. ___ OF ___ SHEETS STA. _____ TO STA. _____

F.A.U. RTE.	SECTION	COUNTY	TOTAL SHEETS	SHEET NO.
9251	26-IRS-3	ST. CLAIR	37	33
FED. ROAD DIST. NO. _____ ILLINOIS FED. AID PROJECT			CONTRACT NO. 76D44	



FILE NAME = #FILE#	USER NAME = #USER#	DESIGNED - ---	REVISED - ---	STATE OF ILLINOIS DEPARTMENT OF TRANSPORTATION	GUARDRAIL DETAILS (LOCATION 3)		F.A.U. RTE.	SECTION	COUNTY	TOTAL SHEETS	SHEET NO.
	PLOT SCALE = #SCALE#	DRAWN - ---	REVISED - ---				9251	26-IRS-3	ST. CLAIR	37	34
	PLOT DATE = #DATE#	CHECKED - ---	REVISED - ---				CONTRACT NO. 76D44				
		DATE - ---	REVISED - ---	SCALE: _____ SHEET NO. ___ OF ___ SHEETS STA. _____ TO STA. _____		FED. ROAD DIST. NO. - ILLINOIS FED. AID PROJECT					



DETECTOR LOOP REQUIREMENTS AND CALCULATIONS FOR IL 13 AND STATE ST.

LOOP	LOOP SIZE(FT)	REQUIRED # OF TURNS	CALCULATED INDUCTANCE MICROHENRIES (μH)	CALCULATED RESISTANCE OHMS (Ω)
① EB_LI_TURN_LN	6' x 50'	3-6-3	819	2.34
② EB_THRU_LN	6' x 50'	3-6-3	817	2.30
③ EB_CCD	6' x 6'	6	338	2.25
④ WB_LI_TURN_LN	6' x 50'	3-6-3	838	2.77
⑤ WB_THRU_LN	6' x 50'	3-6-3	833	2.67
⑥ WB_CCD	6' x 6'	6	372	3.00

THE ABOVE VALUES ARE CALCULATED OF COMBINED LOOP AND LEAD-IN INDUCTANCE AND RESISTANCE. ACTUAL MEASURED VALUES SHOULD BE WITHIN +/- 20% OF THESE VALUES.

NOT TO SCALE

FILE NAME =	USER NAME = karlesal	DESIGNED -	REVISED -
01\pwwork\KPIDOT\KARLASAL\00155566\d818d44-sh1-TS.dgn		DRAWN -	REVISED -
	PLOT SCALE = 40.9756" / IN.	CHECKED -	REVISED -
	PLOT DATE = 3/3/2010	DATE -	REVISED -

STATE OF ILLINOIS
DEPARTMENT OF TRANSPORTATION

DETECTOR LOOPS @ IL 13 AND STATE ST.

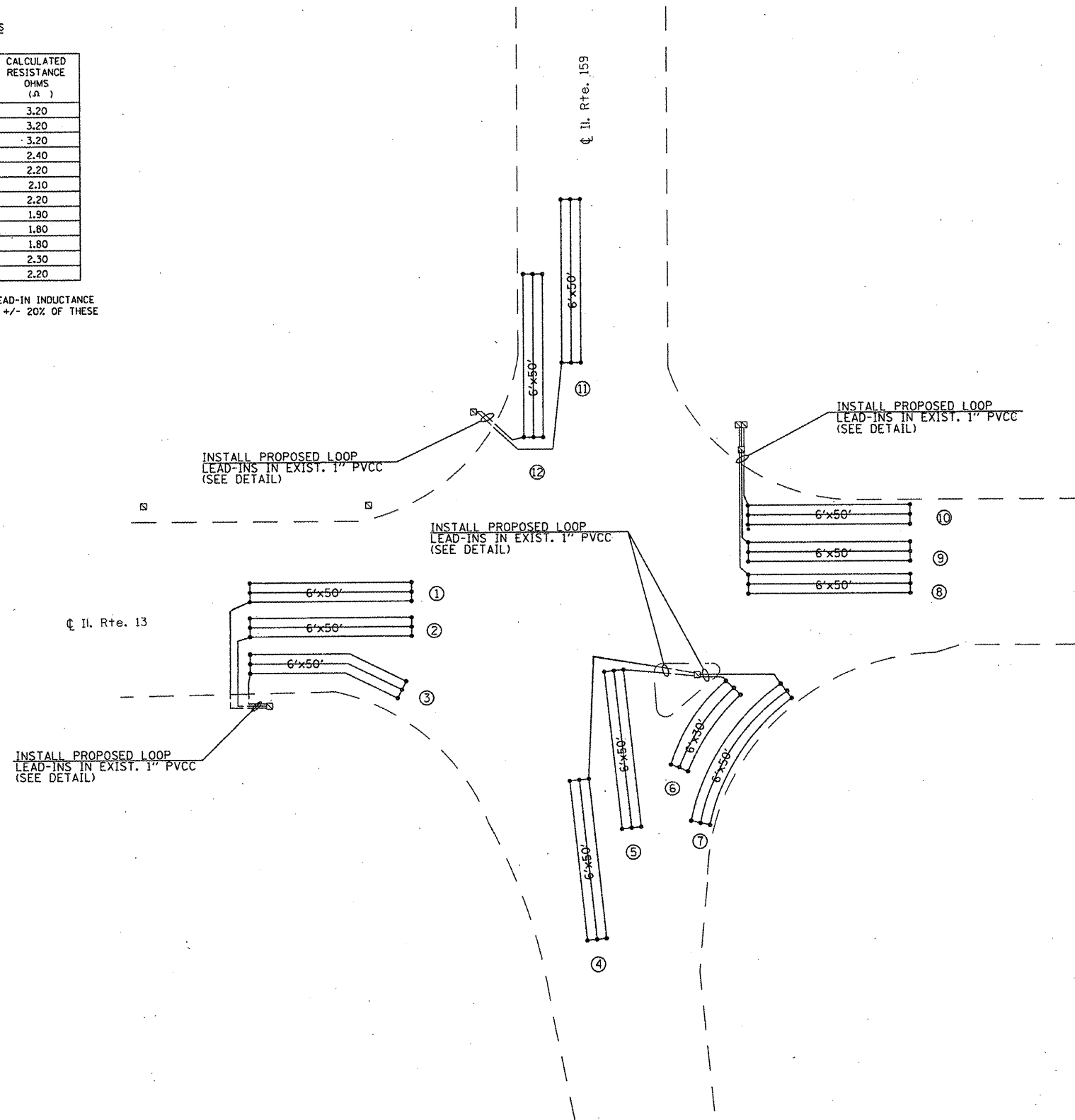
SCALE: SHEET NO. ___ OF ___ SHEETS STA. _____ TO STA. _____

F.A.U. RTE.	SECTION	COUNTY	TOTAL SHEETS	SHEET NO.
9251	26-1RS-3	ST. CLAIR	37	35
FED. ROAD DIST. NO. ILLINOIS FED. AID PROJECT			CONTRACT NO. 76D44	

DETECTOR LOOP REQUIREMENTS AND CALCULATIONS
FOR IL 13 AND IL 159

LOOP	LOOP SIZE(FT)	REQUIRED # OF TURNS	CALCULATED INDUCTANCE MICROHENRIES (μH)	CALCULATED RESISTANCE OHMS (Ω)
① EB LEFT TURN LN	6 X 50	3-6-3	844.4	3.20
② EB THRU LN	6 X 50	3-6-3	846.9	3.20
③ EB RIGHT TURN LN	6 X 50	3-6-3	845.4	3.20
④ NB LEFT TURN LN	6 X 50	3-6-3	810.0	2.40
⑤ NB THRU LN	6 X 50	3-6-3	800.0	2.20
⑥ NB RIGHT TURN A	6 X 30	3-6-3	797.6	2.10
⑦ NB LEFT TURN B	6 X 50	3-6-3	800.7	2.20
⑧ WB LEFT TURN LN	6 X 50	3-6-3	787.7	1.90
⑨ WB THRU LN	6 X 50	3-6-3	784.5	1.80
⑩ WB RIGHT TURN LN	6 X 50	3-6-3	782.3	1.80
⑪ SB LEFT TURN LN	6 X 50	3-6-3	807.9	2.30
⑫ SB THRU LN	6 X 50	3-6-3	800.0	2.20

THE ABOVE VALUES ARE CALCULATED OF COMBINED LOOP AND LEAD-IN INDUCTANCE AND RESISTANCE. ACTUAL MEASURED VALUES SHOULD BE WITHIN +/- 20% OF THESE VALUES.



NOT TO SCALE

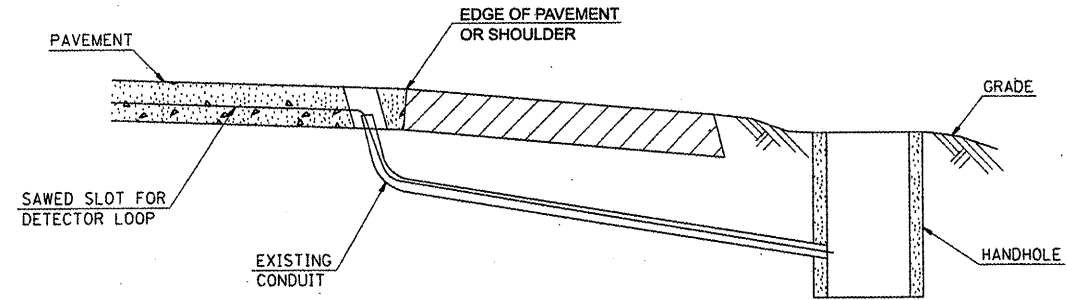
FILE NAME =	USER NAME = karlesol	DESIGNED -	REVISED -	STATE OF ILLINOIS DEPARTMENT OF TRANSPORTATION	DECTOR LOOPS @ IL 13158 AND IL 159		F.A.J. RTE. 9251	SECTION 26-1RS-3	COUNTY ST. CLAIR	TOTAL SHEETS 37	SHEET NO. 36	
c:\pwork\PWIDOT\KARLASAL\0155566\d087644-sh1-TS.dgn	PLOT SCALE = 42.9268' / IN.	DRAWN -	REVISED -		SCALE:	SHEET NO. OF SHEETS	STA. TO STA.	FED. ROAD DIST. NO. [ILLINOIS] FED. AID PROJECT CONTRACT NO. 76D44				
	PLOT DATE = 3/3/2010	CHECKED -	REVISED -									
		DATE -	REVISED -									

GENERAL NOTES

DETECTOR LOOPS SHALL BE PLACED IN THE PAVEMENT AFTER MILLING AND PRIOR TO RESURFACING.

THE EXISTING DETECTOR LOOP CONDUIT FROM PAVEMENT TO HANDHOLE WILL BE RE-USED FOR THE REPLACED DETECTOR LOOPS. THE CONTRACTOR WILL BE RESPONSIBLE FOR PROTECTING THE EXISTING CONDUIT DURING CONSTRUCTION. SHOULD ANY DAMAGE TO THE CONDUIT OCCUR DUE TO THE CONTRACTOR'S OPERATIONS, REPAIRS SHALL BE MADE TO THE SATISFACTION OF THE ENGINEER AND WILL BE DONE AT THE CONTRACTOR'S EXPENSE.

~~STANDARDS~~
~~886001-01~~
~~86006-01~~



DETAIL
(NO SCALE)

RE-USE EXISTING DETECTOR LOOP LEAD-IN CONDUIT

- 1 DRILL OUT PAVEMENT SEALANT AND CLEAN EXISTING CONDUIT.
- 2 REMOVE EXISTING CABLE TO HANDHOLE.
- 3 INSTALL LOOP LEAD-IN CONDUCTORS IN CONDUIT.
- 4 SPLICE NEW DETECTOR LOOP LEAD-IN CONDUCTORS TO EXISTING LEAD-IN CABLE IN HANDHOLE.
- 5 FILL HOLE WITH APPROVED SEALER. PREVENT SEALER FROM ENTERING INTO CONDUIT.

NOT A PAY ITEM. THE COST OF THIS WORK SHALL BE INCLUDED IN THE PAY ITEM "DETECTOR LOOP REPLACEMENT".

LOCATING UNDERGROUND CABLE WILL BE PAID FOR SEPARATELY

SCHEDULE OF QUANTITIES

CODE NO	ITEM	UNIT	TOTAL	IL 158	STATE ST	IL 159
80300100	LOCATE UNDERGROUND CABLE	FOOT	158	72	86	72
88600600	DETECTOR LOOP REPLACEMENT	FOOT	2943	1640	778	2165

NOT TO SCALE

FILE NAME =	USER NAME = karlosal	DESIGNED -	REVISED -	STATE OF ILLINOIS DEPARTMENT OF TRANSPORTATION	ELECTRICAL GENERAL NOTES AND DETAILS	F.A.W. RTE.	SECTION	COUNTY	TOTAL SHEETS	SHEET NO.
of\pwr\work\FWIDOT\KARLASAL\0155568\d876d44-shr-TS.dgn	DRAWN -	REVISED -	9251			26-IRS-3	ST. CLAIR	37	37	
PLOT SCALE = 42,9266' / IN.	CHECKED -	REVISED -	CONTRACT NO. 76D44							
PLOT DATE = 3/3/2018	DATE -	REVISED -	ILLINOIS FED. AID PROJECT							
				SCALE: _____ SHEET NO. ____ OF ____ SHEETS STA. _____ TO STA. _____						