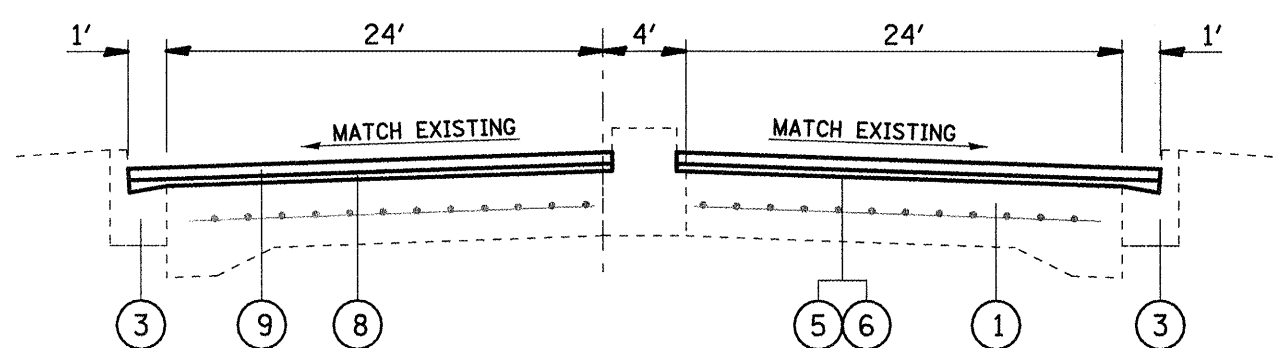
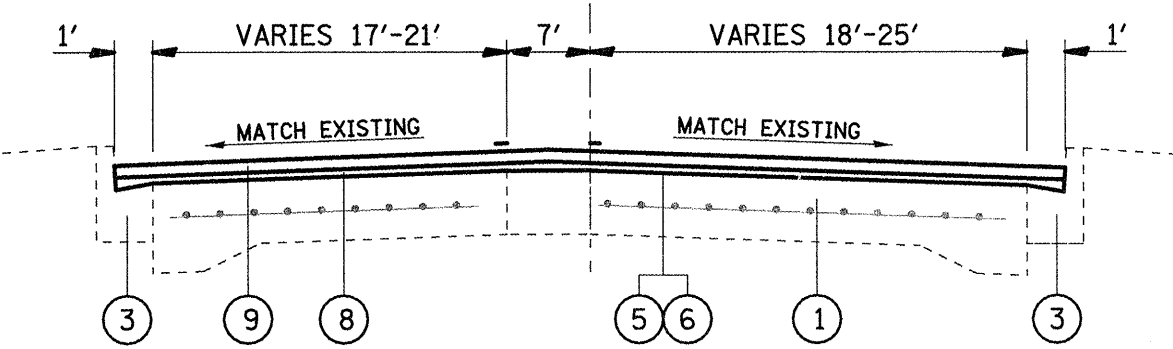


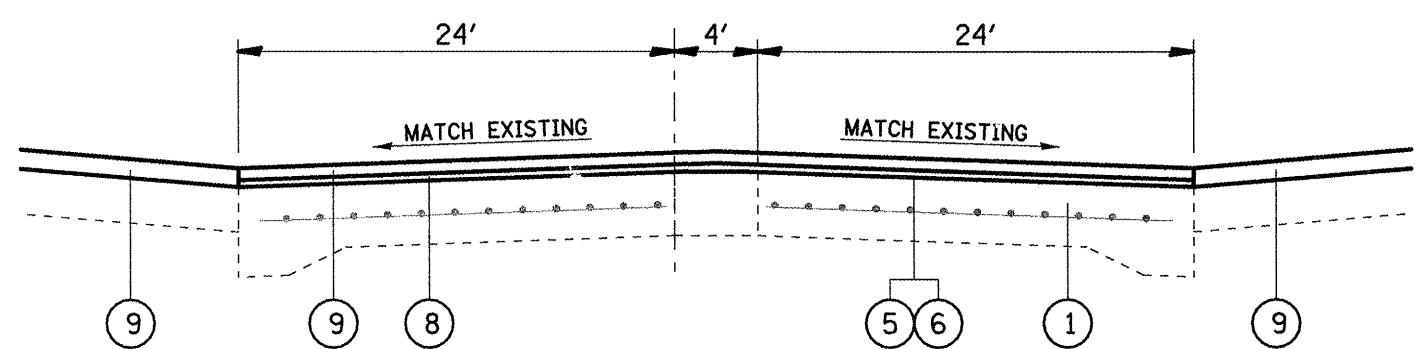
LOCATION 3  
TYPICAL SECTION  
STA 300+00 TO STA 301+35



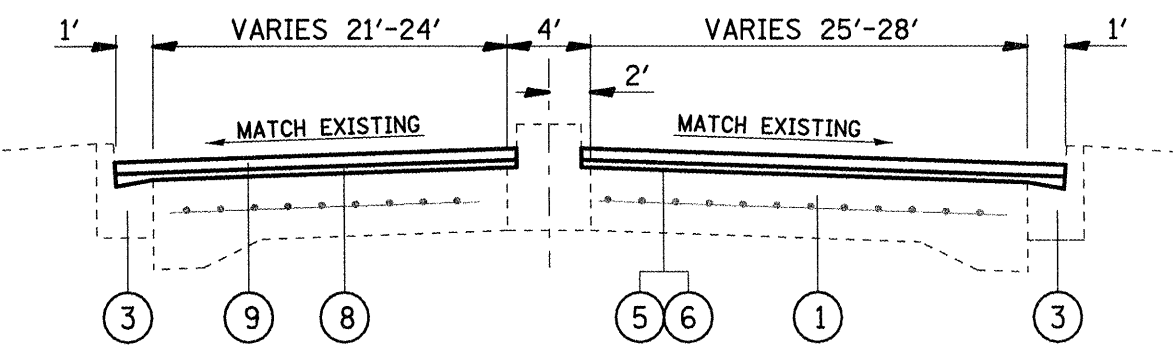
LOCATION 3  
TYPICAL SECTION  
STA 303+83 TO STA 305+75



LOCATION 3  
TYPICAL SECTION  
STA 301+35 TO STA 302+72



LOCATION 3  
TYPICAL SECTION  
STA 305+75 TO STA 306+68



LOCATION 3  
TYPICAL SECTION  
STA 302+72 TO STA 303+83

**LEGEND**

- ① EXISTING CONCRETE PAVEMENT
- ② EXISTING HMA OVERLAY
- ③ EXISTING CONCRETE CURB AND GUTTER
- ④ PROPOSED HMA SURFACE REMOVAL - 2"
- ⑤ PROPOSED BITUMINOUS MATERIALS (PRIME COAT)
- ⑥ PROPOSED AGGREGATE (PRIME COAT)
- ⑦ PROPOSED LEVELING BINDER (MM), N70 - 3/4"
- ⑧ PROPOSED LEVELING BINDER (MM), N70 - 1"
- ⑨ PROPOSED HMA SURFACE COURSE, MIX D, N70 - 1/2"

NOT TO SCALE

FILE NAME =	USER NAME = watersle	DESIGNED -	REVISED -
6475-sh1-plan.dgn		DRAWN -	REVISED -
PLOT SCALE = 1/8" = 1' IN.		CHECKED -	REVISED -
PLOT DATE = 3/17/2018		DATE -	REVISED -

**STATE OF ILLINOIS  
DEPARTMENT OF TRANSPORTATION**

<b>TYPICAL SECTIONS (LOCATION #3 - 25TH STREET)</b>	
SCALE:	SHEET NO. 1 OF 7 SHEETS
STA.	TO STA.

F.A. RTE. 9226 / 9189	SECTION (Z-1)RS-2, 29RS-6	COUNTY ST. CLAIR	TOTAL SHEETS 33	SHEET NO. 6
CONTRACT NO. 76D75			FED. ROAD DIST. NO. 8 ILLINOIS FED. AID PROJECT	