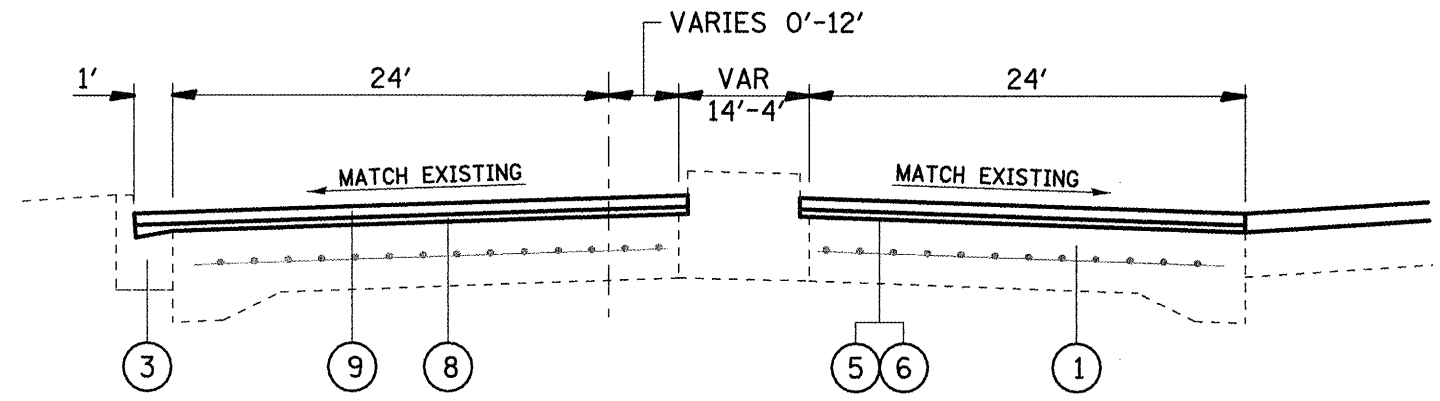
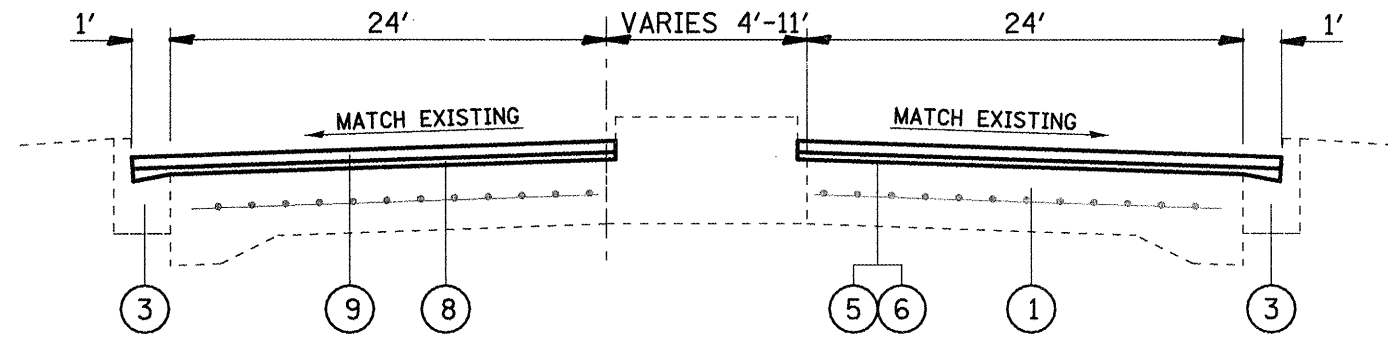


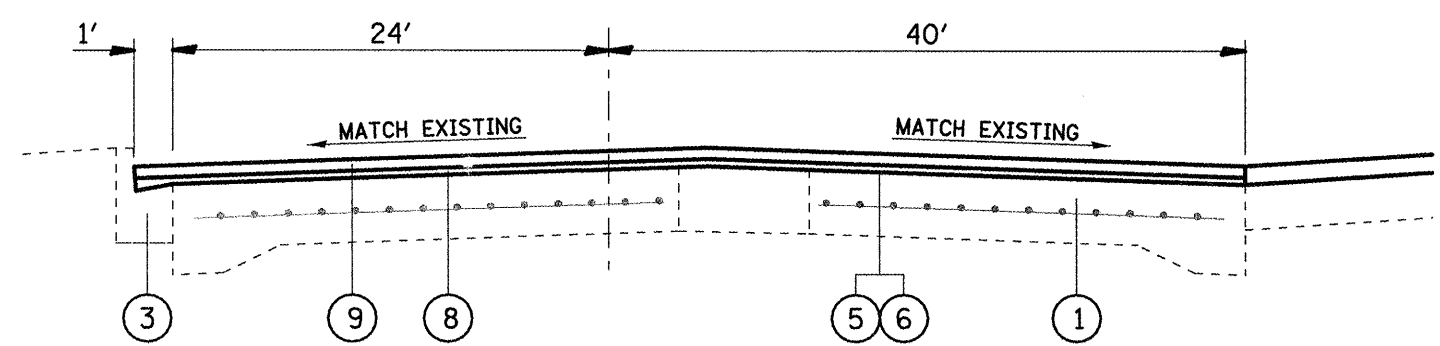
LOCATION 3  
TYPICAL SECTION  
STA 306+68 TO STA 307+17



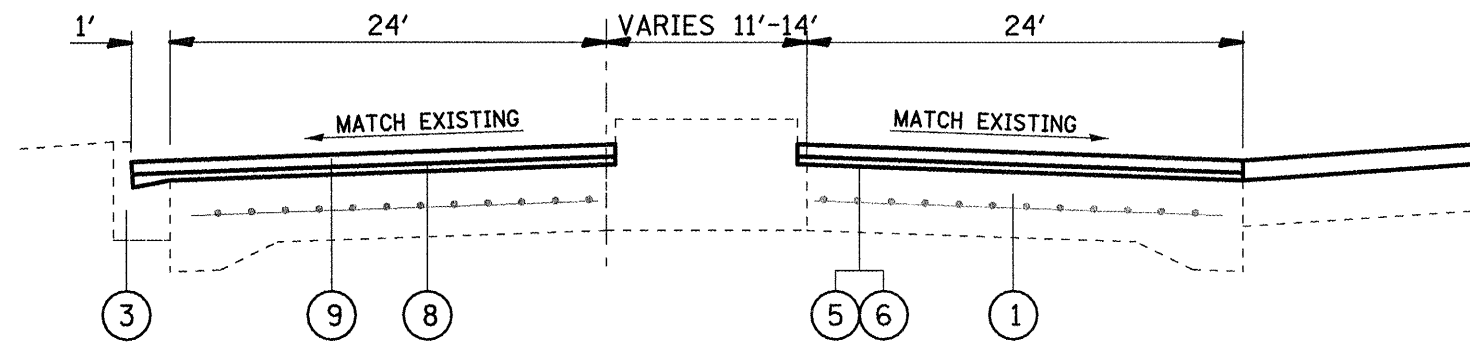
LOCATION 3  
TYPICAL SECTION  
STA 308+15 TO STA 308+57



LOCATION 3  
TYPICAL SECTION  
STA 307+17 TO STA 307+88



LOCATION 3  
TYPICAL SECTION  
STA 308+57 TO STA 309+13



LOCATION 3  
TYPICAL SECTION  
STA 307+88 TO STA 308+15

**LEGEND**

- ① EXISTING CONCRETE PAVEMENT
- ② EXISTING HMA OVERLAY
- ③ EXISTING CONCRETE CURB AND GUTTER
- ④ PROPOSED HMA SURFACE REMOVAL - 2"
- ⑤ PROPOSED BITUMINOUS MATERIALS (PRIME COAT)
- ⑥ PROPOSED AGGREGATE (PRIME COAT)
- ⑦ PROPOSED LEVELING BINDER (MM), N70 - 3/4"
- ⑧ PROPOSED LEVELING BINDER (MM), N70 - 1"
- ⑨ PROPOSED HMA SURFACE COURSE, MIX D, N70 - 1 1/2"

NOT TO SCALE

FILE NAME =	USER NAME = watersle	DESIGNED -	REVISED -
ct:\pwork\p\WIDOT\WATERSLE\d8174384\d8	6d75-eh-1-plan.dgn	DRAWN -	REVISED -
	PLOT SCALE = 100.0000' / IN.	CHECKED -	REVISED -
	PLOT DATE = 3/17/2010	DATE -	REVISED -

STATE OF ILLINOIS  
DEPARTMENT OF TRANSPORTATION

TYPICAL SECTIONS (LOCATION #3 - 25TH STREET)

SCALE: SHEET NO. 2 OF 7 SHEETS STA. TO STA.

F.A. 875	SECTION	COUNTY	TOTAL SHEETS	SHEET NO.
9228 / 9189	(Z-1)RS-2, 29RS-6	ST. CLAIR	33	7
CONTRACT NO. 76D75				
FED. ROAD DIST. NO. 8 ILLINOIS FED. AID PROJECT				