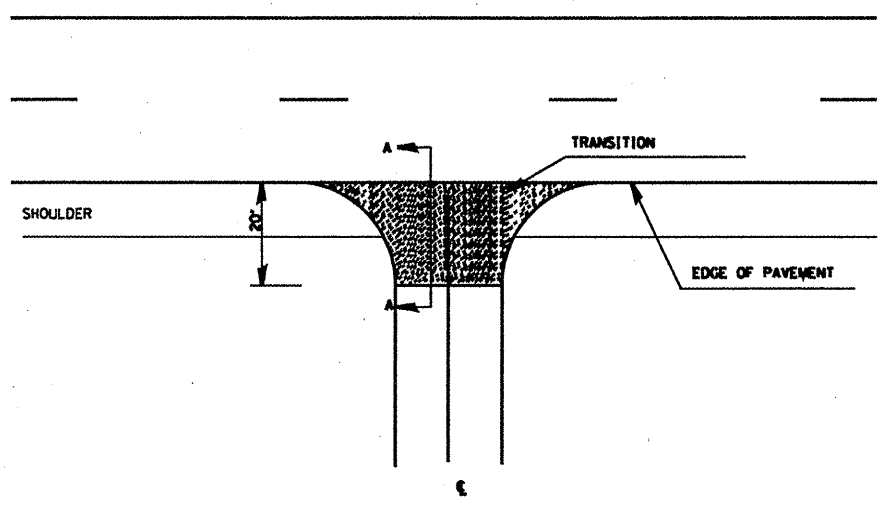


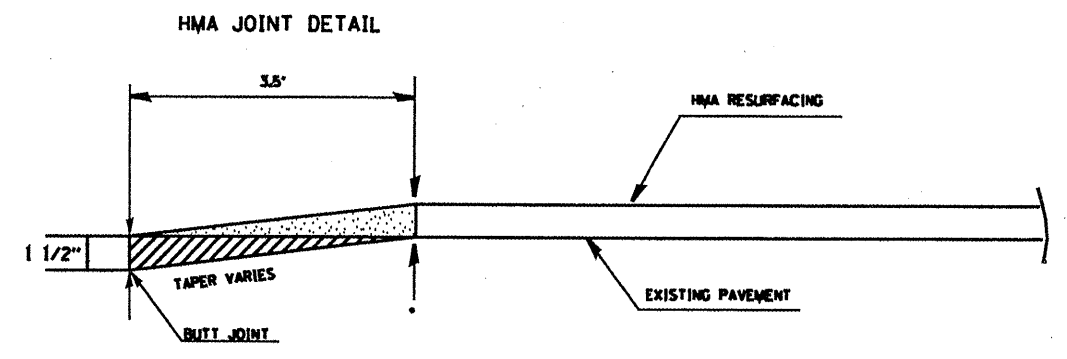
TRANSITION DETAIL
SECTION A-A

BUTT-JOINT ADDITION



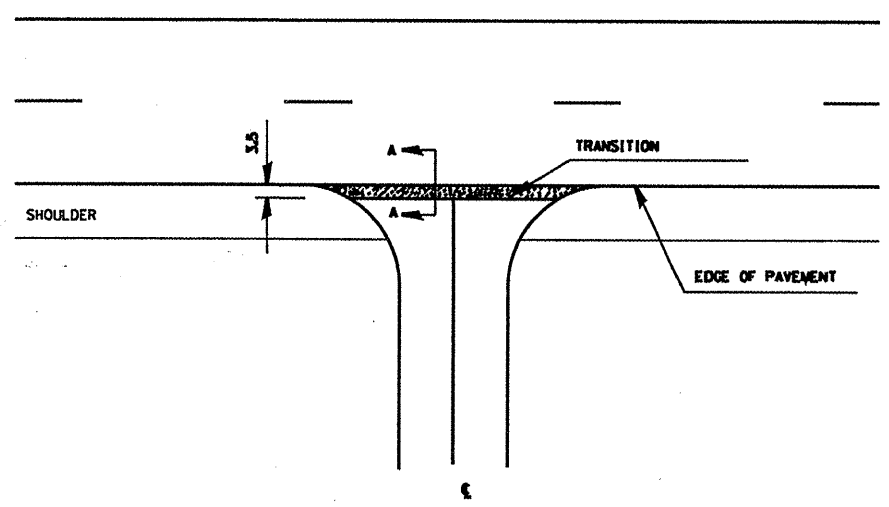
RAMP DETAIL

• ALL ENTRANCE RAMPS & EXIT RAMPS TO I-255



TRANSITION DETAIL
SECTION A-A

BUTT-JOINT ADDITION



SIDEROAD DETAIL

• SIMPSON ST, ARNOLD ST, AND STA. 347+20 TO 348+22 RT

FILE NAME *	USER NAME * elFordb	DESIGNED -	REVISED -
ca:\pe_work\pav\elFordb\08175875\0875	04-shr-plan.dgn	DRAWN -	REVISED -
	PLOT SCALE = 1/8" = 1' / IN.	CHECKED -	REVISED -
	PLOT DATE = 3/18/2010	DATE -	REVISED -

STATE OF ILLINOIS
DEPARTMENT OF TRANSPORTATION

DETAILS			
SCALE: NONE	SHEET NO.	OF SHEETS	STA. TO STA.

I.A. RTE. 9120	SECTION	COUNTY	TOTAL SHEETS	SHEET NO.
	20RS-6	MADISON	33	25
FED. ROAD DIST. NO. ILLINOIS FED. AID PROJECT			CONTRACT NO. 76084	