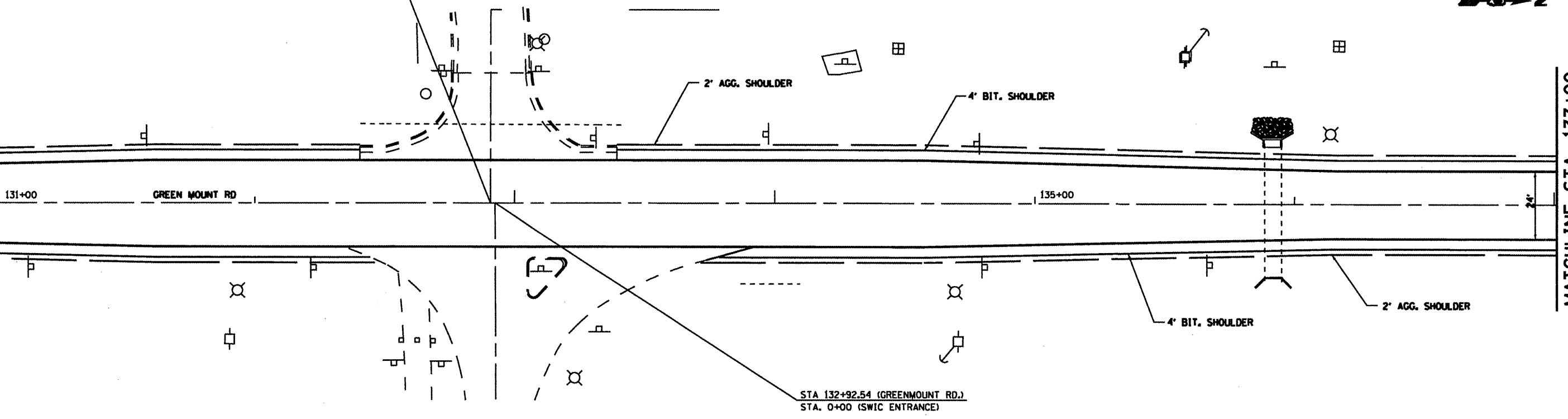


STA. 132+90.77 (GREENMOUNT RD.)  
STA. 0+74.73 (WEATHERSTONE)



MATCHLINE STA. 131+00



STA. 132+92.54 (GREENMOUNT RD.)  
STA. 0+00 (SWIC ENTRANCE)

MATCHLINE STA. 137+00

FILE NAME *	USER NAME = freytr	DESIGNED -	REVISED -
al\pe...work\peidas\Freytr\18176162\187600-2-sht-plan.dgn		DRAWN -	REVISED -
	PLOT SCALE = 48.1826' / IN.	CHECKED -	REVISED -
	PLOT DATE = 3/16/2010	DATE -	REVISED -

**STATE OF ILLINOIS  
DEPARTMENT OF TRANSPORTATION**

<b>LOCATION #1 PLAN SHEET</b>			
SCALE:	SHEET NO.	OF SHEETS	STA. TO STA.

F.P.D. RTE.	SECTION	COUNTY	TOTAL SHEETS	SHEET NO.
VARIOUS	DISTOBSURFACING2010-4	ST. CLAIR	49	20
FED. ROAD DIST. NO. ILLINOIS FED. AID PROJECT			CONTRACT NO. 76086	