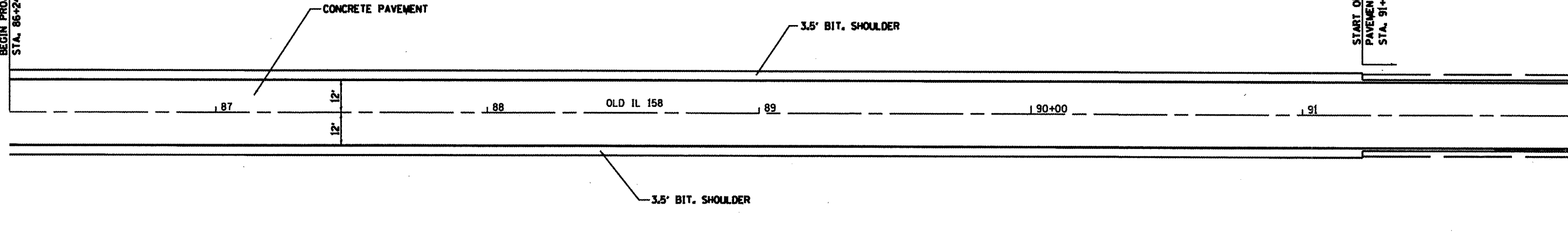
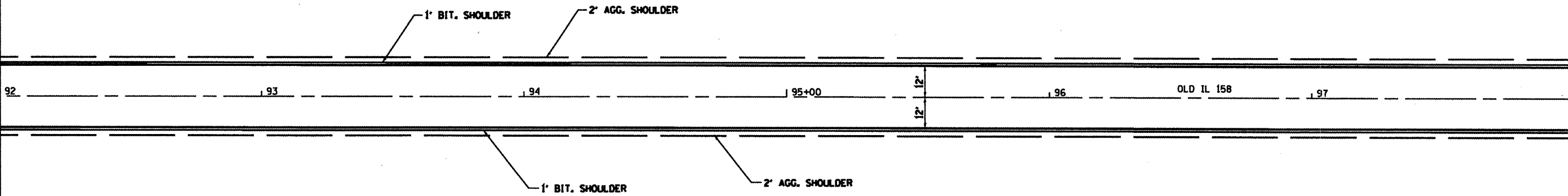


BEGIN PROJECT
STA. 86+24



MATCHLINE STA. 92+00



FILE NAME *	USER NAME * fraytr	DESIGNED -	REVISED -
ca:\pwork\p2010\fraytr\08176162\0876085-ahs-plan.dgn		DRAWN -	REVISED -
PLOT SCALE * 48.1626' / IN.		CHECKED -	REVISED -
PLOT DATE * 3/16/2010		DATE -	REVISED -

STATE OF ILLINOIS
DEPARTMENT OF TRANSPORTATION

LOCATION #3 PLAN SHEET

SCALE: SHEET NO. OF SHEETS STA. TO STA.

F.A.P. SITE	SECTION	COUNTY	TOTAL SHEETS	SHEET NO.
VARIOUS	DISTRESS SURFACING 2010-4	ST. CLAIR	49	26
FED. ROAD DIST. NO. ILLINOIS FED. AID PROJECT			CONTRACT NO. 76086	