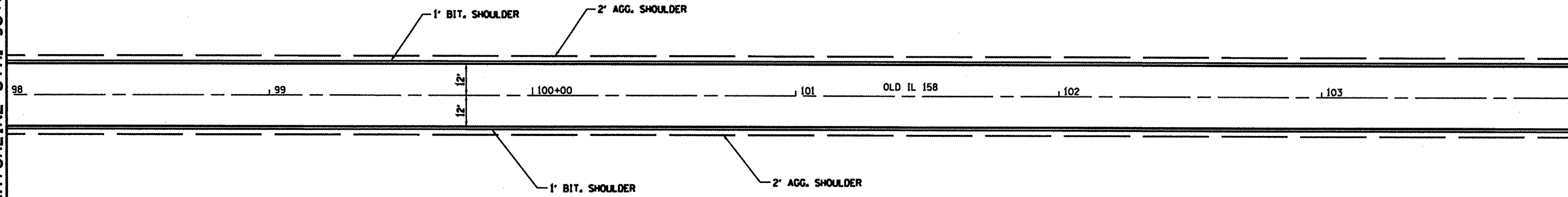




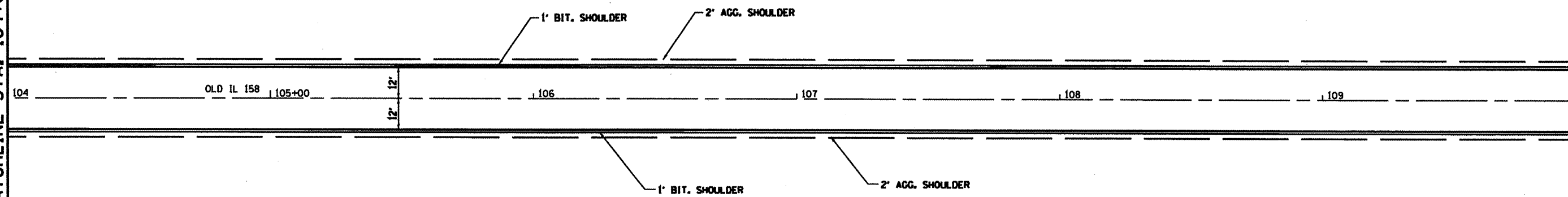
MATCHLINE STA. 98+00

MATCHLINE STA. 104+00



MATCHLINE STA. 104+00

MATCHLINE STA. 110+00



FILE NAME *	USER NAME * fraytr	DESIGNED -	REVISED -
al\pe...work\pe\dos\fraytr\08175162\087500	08-01-10-10-10	DRAWN -	REVISED -
	PLOT SCALE * 48.1826 "/ IN.	CHECKED -	REVISED -
	PLOT DATE * 3/16/2010	DATE -	REVISED -

**STATE OF ILLINOIS
DEPARTMENT OF TRANSPORTATION**

LOCATION #3 PLAN SHEET

SCALE: SHEET NO. OF SHEETS STA. TO STA.

F.A.P. RTE.	SECTION	COUNTY	TOTAL SHEETS	SHEET NO.
VARIOUS	DISTRESSURFACING2010-4	ST. CLAIR	49	27
FED. ROAD DIST. NO. ILLINOIS/FED. AID PROJECT			CONTRACT NO. 76086	