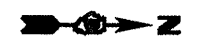
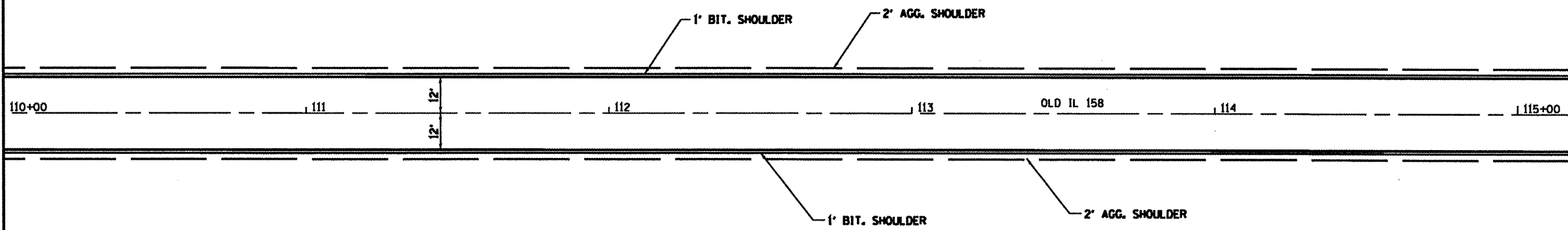




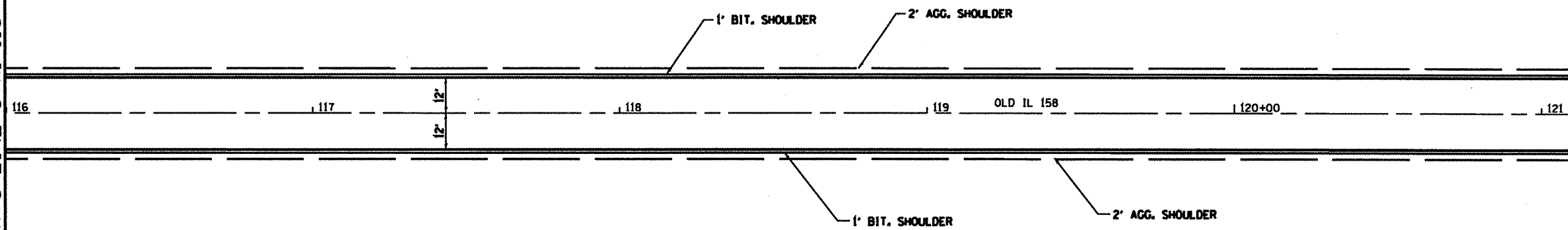
MATCHLINE STA. 110+00

MATCHLINE STA. 116+00



MATCHLINE STA. 116+00

MATCHLINE STA. 122+00



FILE NAME :	USER NAME :	DESIGNED :	REVISED :
ca:\pe...work\pds\dts\Frayr\108170162\d875d8-sh1-plan.dgn	Frayr	DRAWN -	REVISED -
PLOT SCALE = 48/1828 / IN.		CHECKED -	REVISED -
PLOT DATE = 3/16/2018		DATE -	REVISED -

**STATE OF ILLINOIS
DEPARTMENT OF TRANSPORTATION**

LOCATION #3 PLAN SHEET			
SCALE:	SHEET NO.	OF SHEETS	STA. TO STA.

F.A.P. RTE.	SECTION	COUNTY	TOTAL SHEETS	SHEET NO.
various	DISTRESSURFACING2010-4	ST. CLAIR	49	28
FED. ROAD DIST. NO.			ILLINOIS FED. AID PROJECT	
			CONTRACT NO. 76085	