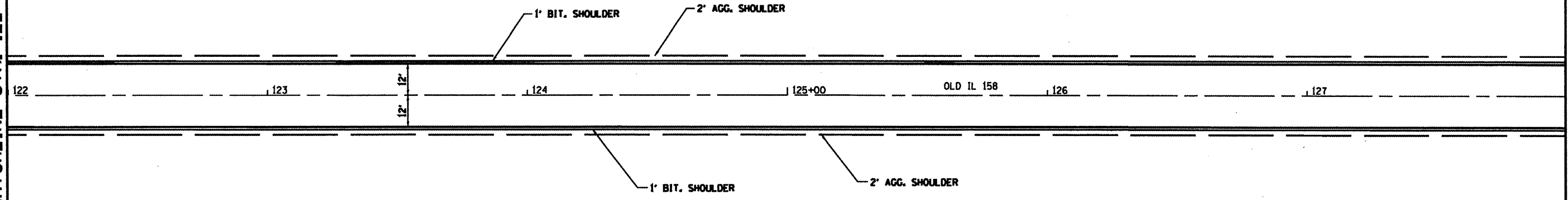
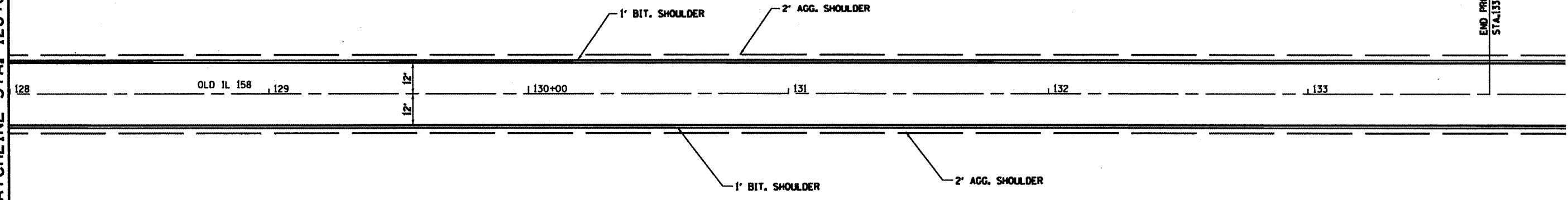


MATCHLINE STA. 122+00

MATCHLINE STA. 128+00



MATCHLINE STA. 128+00



FILE NAME =	USER NAME = froyer	DESIGNED -	REVISED -
ca:\pe-work\p01dot1\frayr\128170162\12875.dwg	sh-t-plandgn	DRAWN -	REVISED -
PLOT SCALE = 48.1625 / IN.	CHECKED -	REVISED -	REVISED -
PLOT DATE = 3/16/2010	DATE -	REVISED -	REVISED -

**STATE OF ILLINOIS
DEPARTMENT OF TRANSPORTATION**

LOCATION #3 PLAN SHEET

SCALE: SHEET NO. OF SHEETS STA. TO STA.

F.A.P. RTE.	SECTION	COUNTY	TOTAL SHEETS	SHEET NO.
VARIOUS	DISTRESSURFACING2010-4	ST. CLAIR	49	29
FED. ROAD DIST. NO. (ILLINOIS) FED. AID PROJECT			CONTRACT NO. 76066	