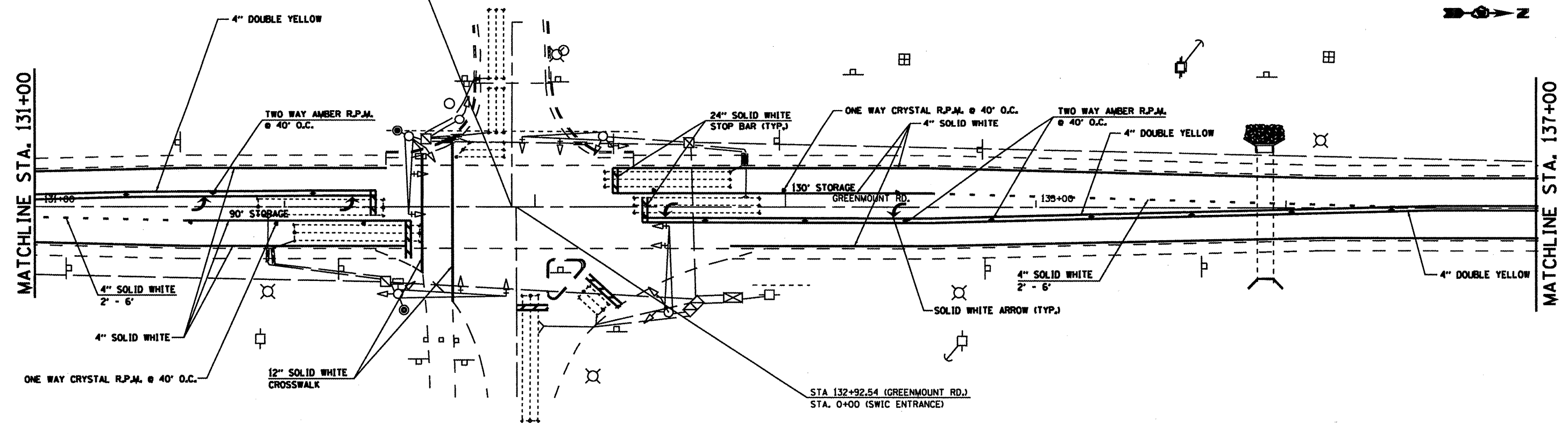


STA. 132+90.77 (GREENMOUNT RD.)
STA. 0+74.73 (WEATHERSTONE)



FILE NAME *
C:\p\work\pav\dist\137\13700-13700.dwg

USER NAME * froyer
DESIGNED -
DRAWN -
PLOT SCALE = 48.1825' / IN.
PLOT DATE = 3/16/2010

CHECKED -
DATE -

REVISED -
REVISED -
REVISED -
REVISED -

STATE OF ILLINOIS
DEPARTMENT OF TRANSPORTATION

LOCATION #1 PAVEMENT MARKING SHEET
SCALE: SHEET NO. OF SHEETS STA. TO STA.

F.A.P. RTE.	SECTION	COUNTY	TOTAL SHEETS	SHEET NO.
VARIOUS	DISTRESSURFACING2010-4	ST. CLAIR	49	34
CONTRACT NO. 76006				
FED. ROAD DIST. NO. ILLINOIS/FED. AID PROJECT				