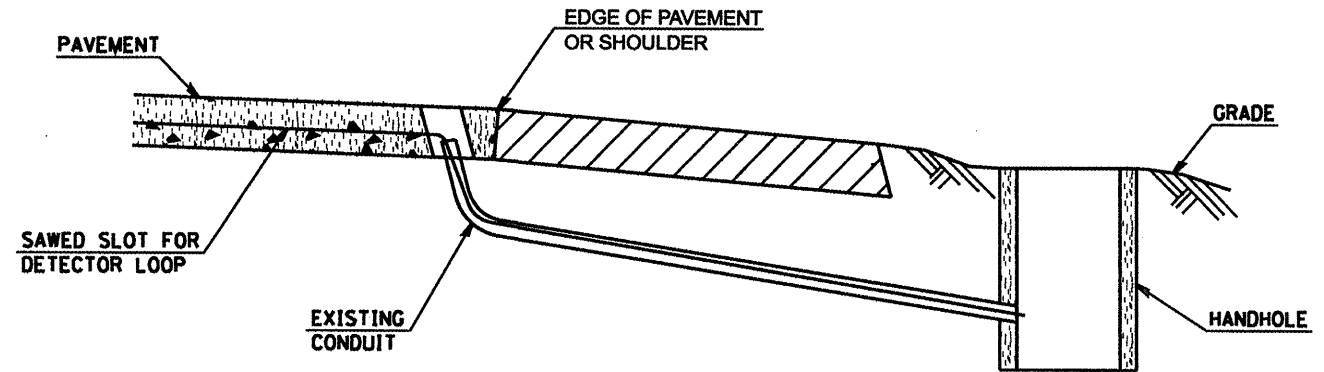


ELECTRICAL GENERAL NOTES

DETECTOR LOOPS SHALL BE PLACED IN THE PAVEMENT AFTER MILLING AND PRIOR TO RESURFACING.

THE EXISTING DETECTOR LOOP CONDUIT FROM PAVEMENT TO HANDHOLE WILL BE RE-USED FOR THE REPLACED DETECTOR LOOPS. THE CONTRACTOR WILL BE RESPONSIBLE FOR PROTECTING THE EXISTING CONDUIT DURING CONSTRUCTION. SHOULD ANY DAMAGE TO THE CONDUIT OCCUR DUE TO THE CONTRACTOR'S OPERATIONS, REPAIRS SHALL BE MADE TO THE SATISFACTION OF THE ENGINEER AND WILL BE DONE AT THE CONTRACTOR'S EXPENSE.



DETAIL
(NO SCALE)

RE- USE EXISTING DETECTOR LOOP LEAD- IN CONDUIT

- 1 DRILL OUT PAVEMENT SEALANT AND CLEAN EXISTING CONDUIT.
- 2 REMOVE EXISTING CABLE TO HANDHOLE.
- 3 INSTALL LOOP LEAD- IN CONDUCTORS IN CONDUIT.
- 4 SPLICE NEW DETECTOR LOOP LEAD- IN CONDUCTORS TO EXISTING LEAD- IN CABLE IN HANDHOLE.
- 5 FILL HOLE WITH APPROVED SEALER. PREVENT SEALER FROM ENTERING INTO CONDUIT.

NOT A PAY ITEM. THE COST OF THIS WORK SHALL BE INCLUDED IN THE PAY ITEM "DETECTOR LOOP REPLACEMENT".

LOCATING UNDERGROUND CABLE WILL BE PAID FOR SEPARATELY

SCHEDULE OF QUANTITIES

CODE NO	ITEM	UNIT	TOTAL	IL 158/177	WEATHER STONE	IL 161
80300100	LOCATE UNDERGROUND CABLE	FOOT	275	100	100	75
88600600	DETECTOR LOOP REPLACEMENT	FOOT	3245	1110	900	1235

Dist 8 Resurfacing 2010-4

FILE NAME *	USER NAME = fmgjr	DESIGNED -	REVISED -
ca:\pe_work\peidos\frmgjr\08170162\087808-0-sht-15.dgn		DRAWN -	REVISED -
	PLOT SCALE = 48.1625 "/ IN.	CHECKED -	REVISED -
	PLOT DATE = 3/16/2010	DATE -	REVISED -

STATE OF ILLINOIS
DEPARTMENT OF TRANSPORTATION

DETECTOR LOOP REPLACEMENT-GENERAL NOTES, DETAILS, QUANTITIES

SCALE: NONE SHEET NO. 4 OF 4 SHEETS STA. TO STA.

F.A. RTE.	SECTION	COUNTY	TOTAL SHEETS	SHEET NO.
Various		ST. CLAIR	49	48
FED. ROAD DIST. NO. ILLINOIS FED. AID PROJECT			CONTRACT NO. 76086	