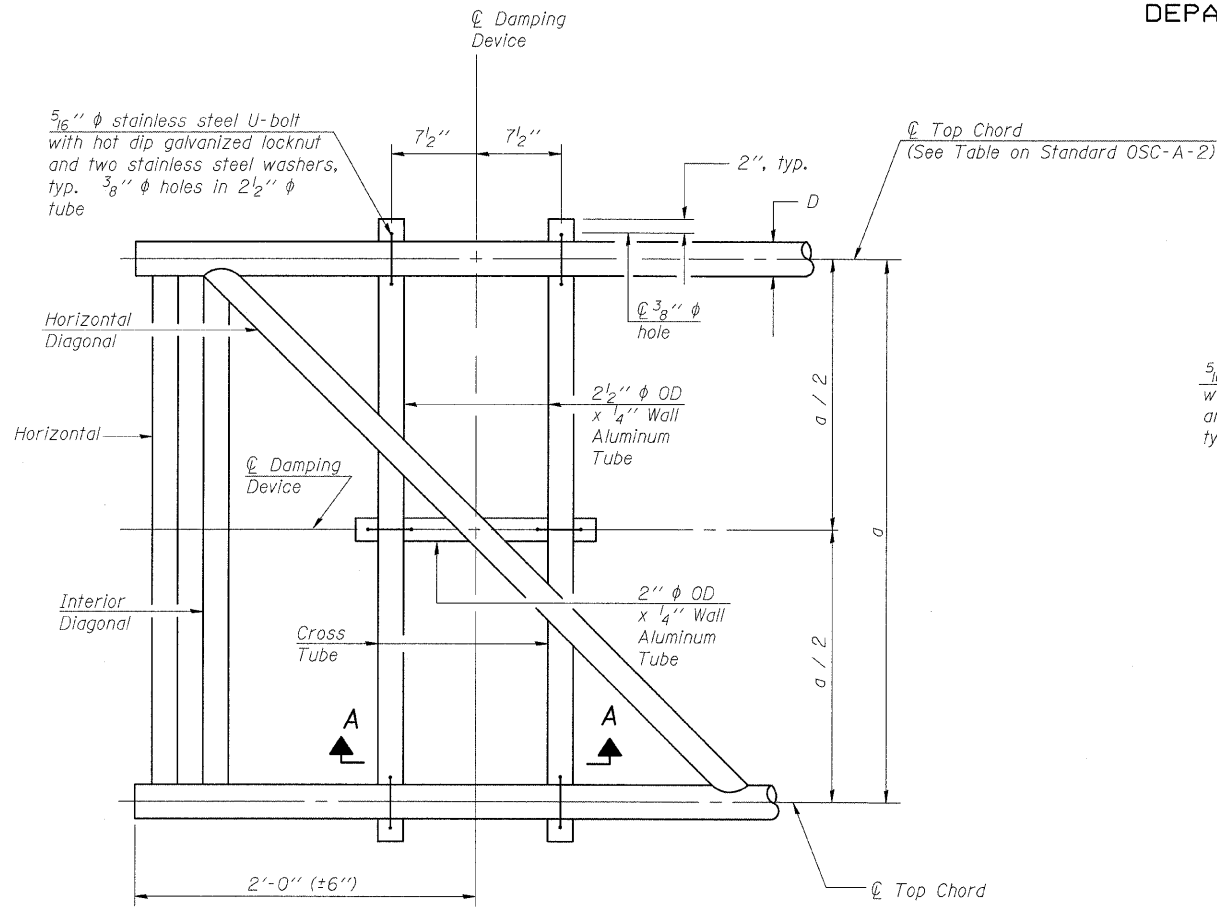
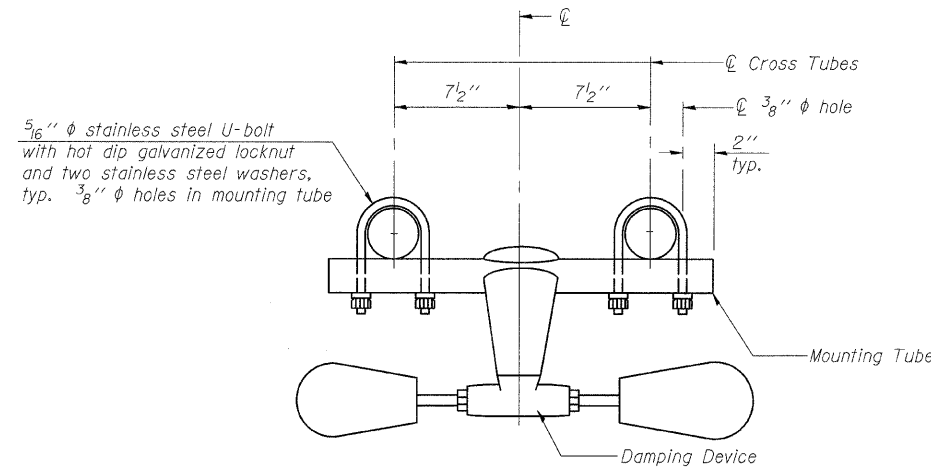


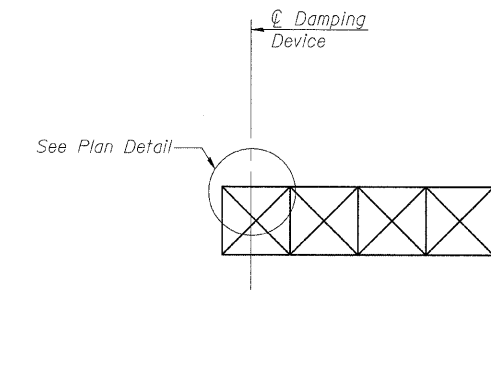
STATE OF ILLINOIS
DEPARTMENT OF TRANSPORTATION



PLAN DETAIL

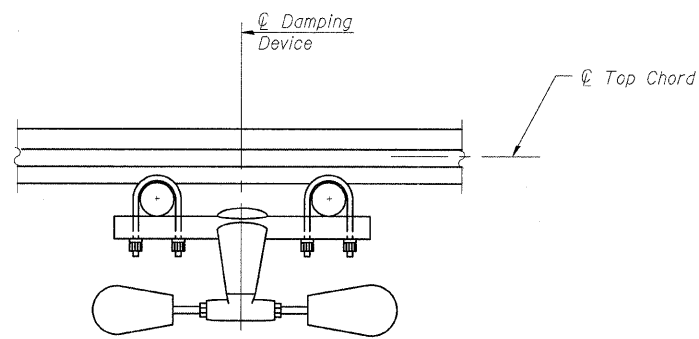


TRUSS DAMPING
DEVICE CONNECTION DETAIL

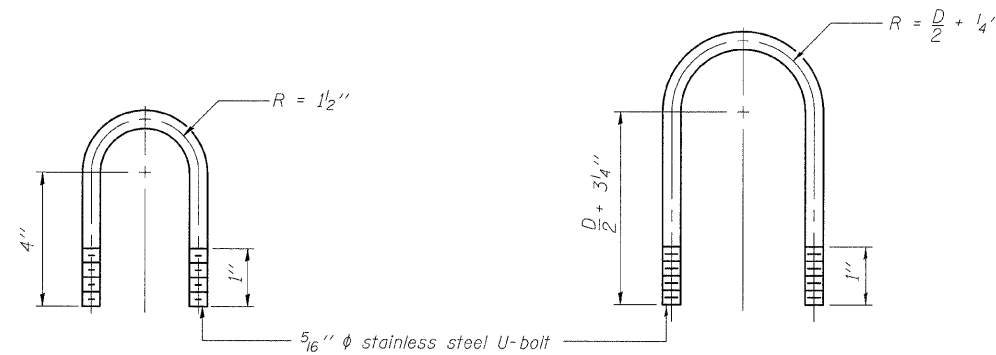


ELEVATION
Aluminum Cantilever
Sign Structure

- GENERAL NOTES**
- Damper: One damper per truss. (31 lbs. Stockbridge-Type Aluminum-29" minimum between ends of weights)
- Materials: Aluminum tubes shall be ASTM B221 alloy 6061 temper T6



SECTION A-A



DAMPING DEVICE MOUNTING
TUBE U-BOLT DETAIL
(Typical)

TOP CHORD TO CROSS TUBE
U-BOLT DETAIL
(Typical)

DESIGNED	KLH
CHECKED	JJD
DRAWN	KLH
CHECKED	JJD

OSC-A-D

12-1-08

HORNER & SHIFRIN, INC.
ENGINEERS

SHEET NO. 3
9 SHEETS

CANTILEVER SIGN STRUCTURE DAMPING DEVICE				
F.A.I. ROUTE 270 (I-270), SEC. 60-2RS-3 MADISON COUNTY				
F.A.I. RTE.	SECTION	COUNTY	TOTAL SHEETS	SHEET NO.
270	60-2RS-3	MADISON	231	115
			CONTRACT NO. 76D87	
ILLINOIS FED. AID PROJECT				