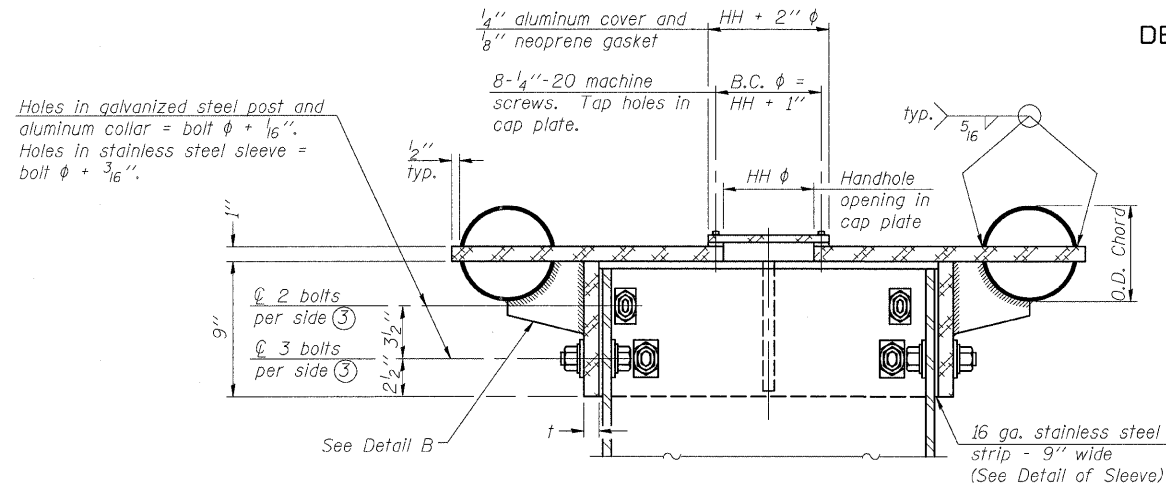


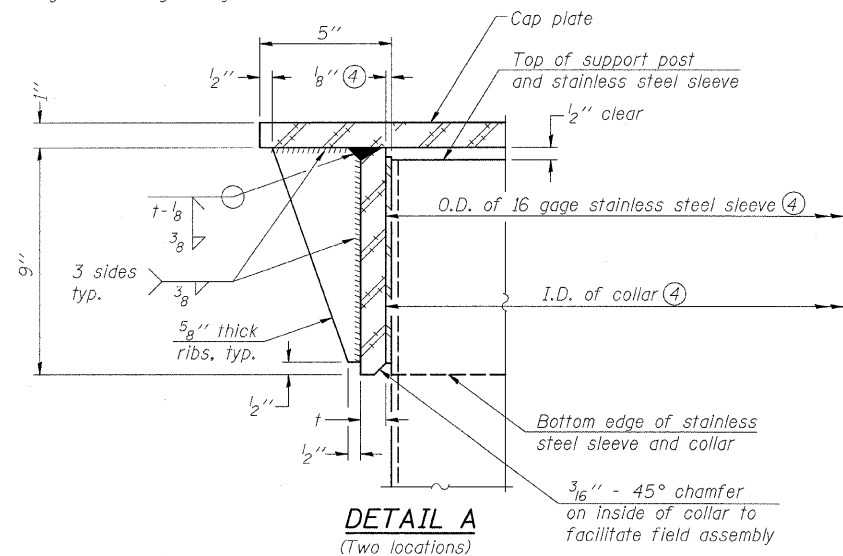
STATE OF ILLINOIS
DEPARTMENT OF TRANSPORTATION



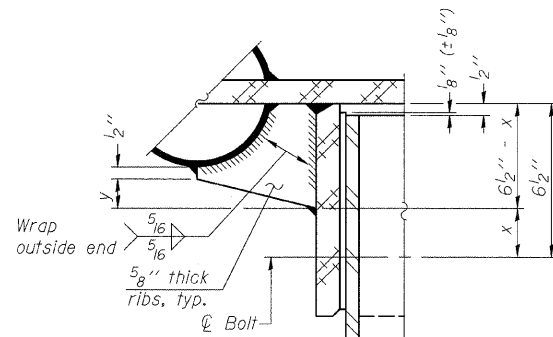
④ Collar I.D. shall be manufactured to correspond to O.D. of actual galvanized post and stainless steel sleeve plus 1/8 inch (±1/16 inch). Maximum gap between post and collar at any location equals 1/8 inch before tightening bolts.

SECTION B-B

Bolts, washers (including contoured washers), and locknuts shall be stainless steel.

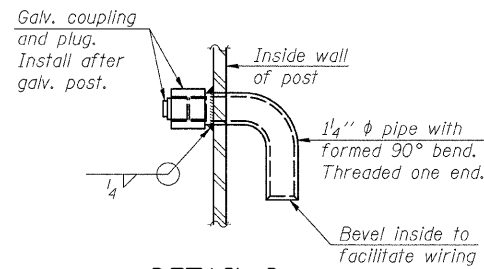


DETAIL A
(Two locations)

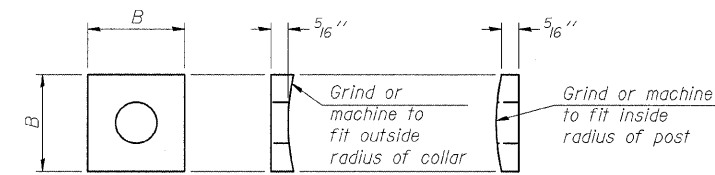


DETAIL B

Two locations
(For details not shown, see Detail C)



DETAIL D



CONTOURED WASHERS

| Bolt Size | Contoured Washers | |
|-----------|-------------------|--------|
| | Hole Dia. | B |
| 7/8" | 1" | 2 1/2" |
| 1" | 1 1/8" | 3" |
| 1 1/4" | 1 3/8" | 3 1/4" |

DETAIL OF STAINLESS STEEL SLEEVE

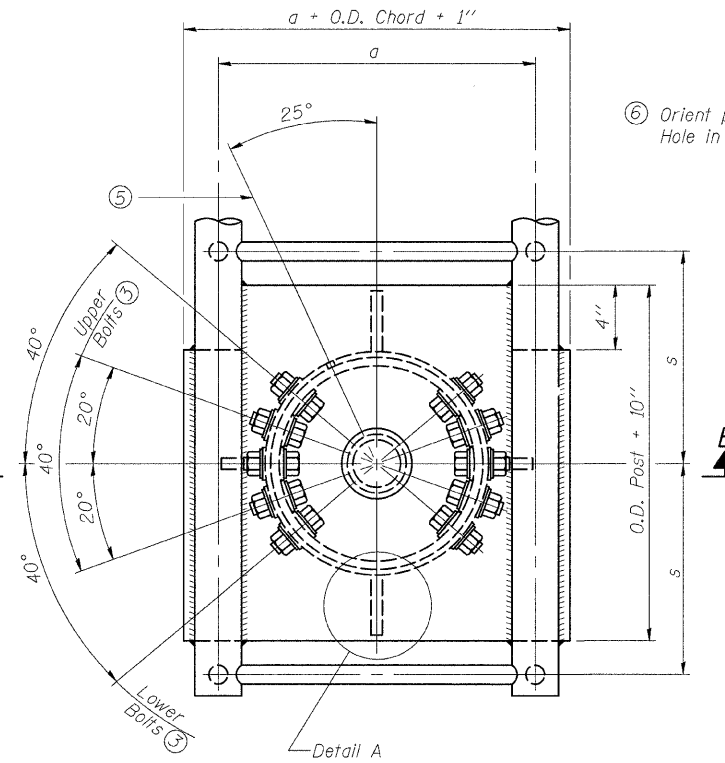
Weld to post after galvanizing.
(Prepare post surface to insure tight, uniform fit and allow welding.)
Welds to be 1/2 inch long at 6 inch cts. along top edge and at 1/4 inch opening.

| NUMBER | REVISION | DATE |
|--------|----------|------|
| | | |
| | | |
| | | |

| | |
|----------|-----|
| DESIGNED | KLH |
| CHECKED | JJD |
| DRAWN | KLH |
| CHECKED | JJD |

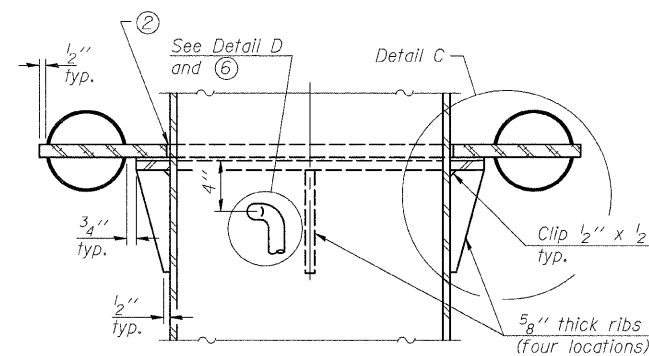
OSC-A-3

12-1-08



PLAN VIEW - TOP OF COLUMN

⑤ Optional full penetration weld in collar.
(Two locations maximum....(180° apart)....X-ray or UT 100%)

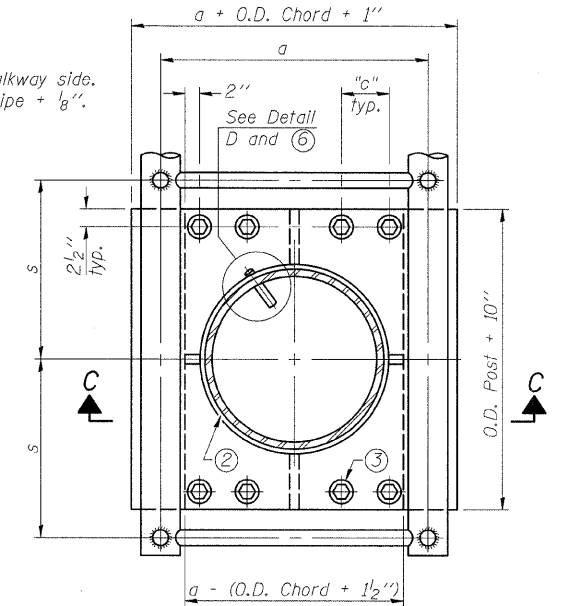


SECTION C-C

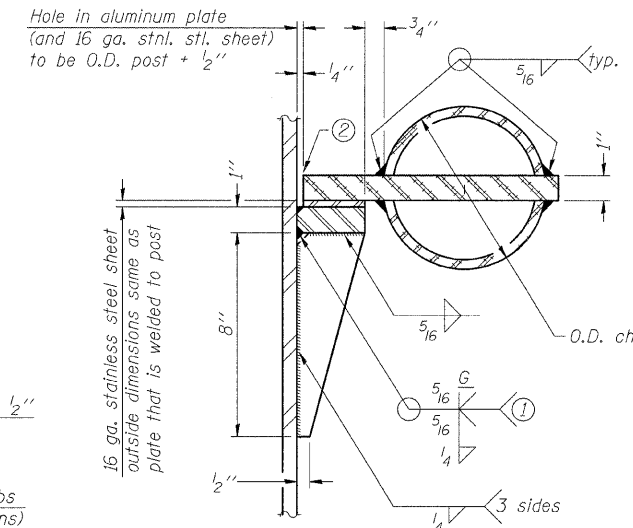
③ Upper and lower connection bolts in collar and bolts at lower chord connection shall be high strength with matching locknuts. Connection bolts shall have 2 stainless steel flat washers each.

HORNER & SHIFRIN, INC.
ENGINEERS

SHEET NO. 4
9 SHEETS



SECTION THRU POST ABOVE LOWER CHORDS



DETAIL C

① Grind top if required to fully seat aluminum plate and stainless steel sheet.

② After tightening lower connection bolts, fill gap with non-hardening, silicone caulk suitable for exterior exposure and acceptable to the Engineer. Cost is included in Overhead Sign Structure Cantilever.

CANTILEVER SIGN STRUCTURES
JUNCTURE DETAILS
ALUMINUM TRUSS & STEEL POST
F.A.I. ROUTE 270 (I-270), SEC. 60-2RS-3
MADISON COUNTY

| F.A.I. RTE. | SECTION | COUNTY | TOTAL SHEETS | SHEET NO. |
|---------------------------|----------|---------|--------------|-----------|
| 270 | 60-2RS-3 | MADISON | 231 | 116 |
| CONTRACT NO. 76D87 | | | | |
| ILLINOIS FED. AID PROJECT | | | | |