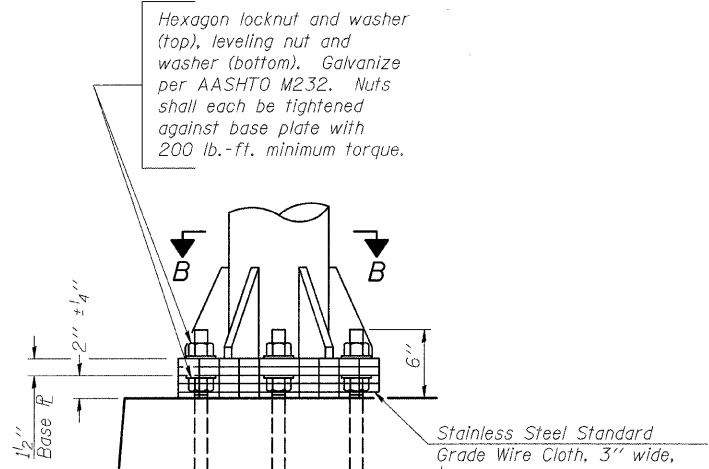
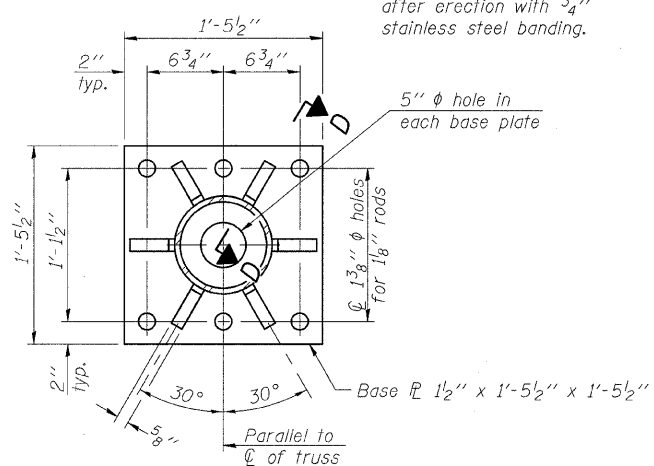


STATE OF ILLINOIS
DEPARTMENT OF TRANSPORTATION

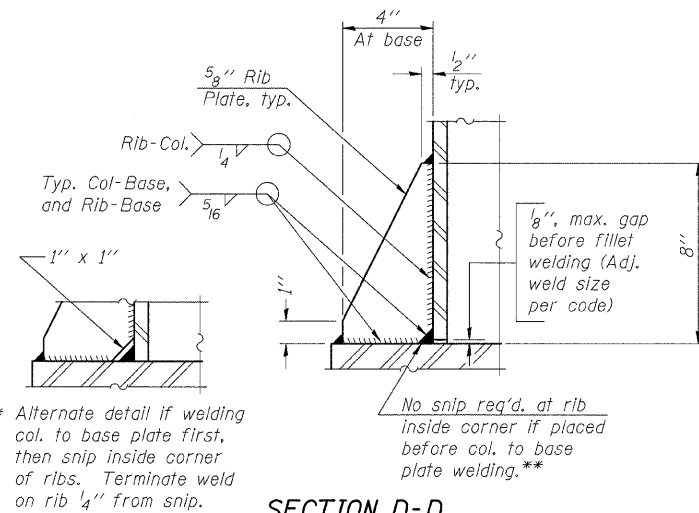


DETAIL B

Ribs shall be cut to fit slope of pipe.

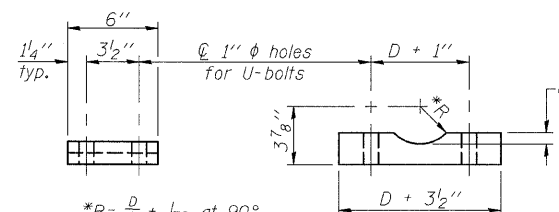


SECTION B-B



SECTION D-D

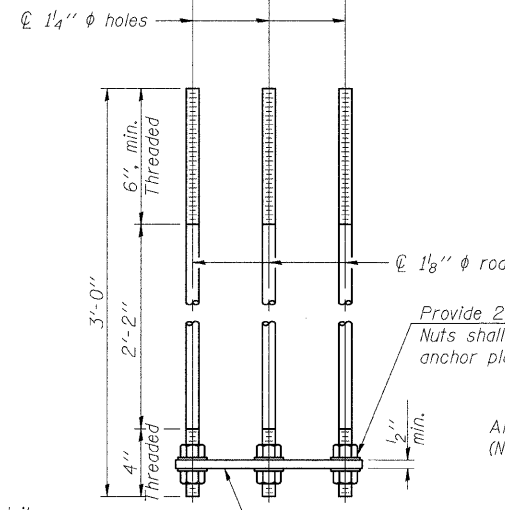
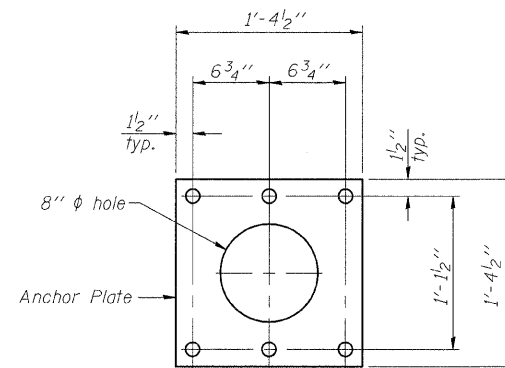
** Alternate detail if welding col. to base plate first, then snip inside corner of ribs. Terminate weld on rib 1/4" from snip.



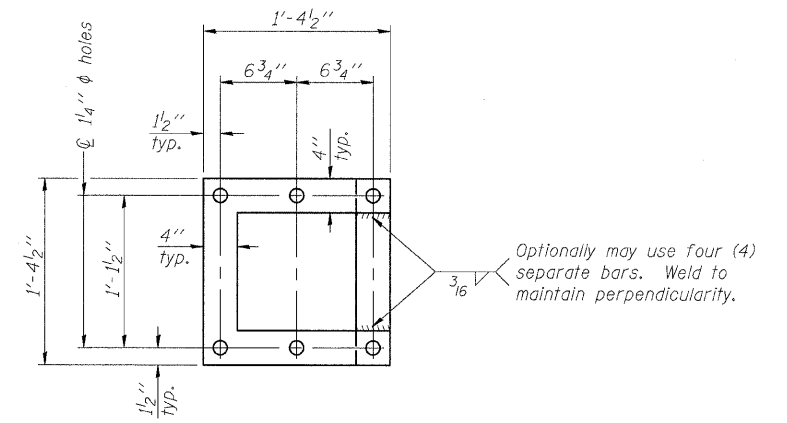
SADDLE SHIM DETAIL

ASTM B26 Alloy 356-F
or
ASTM B209 Alloy 6061-T651
(4 required per sign truss)

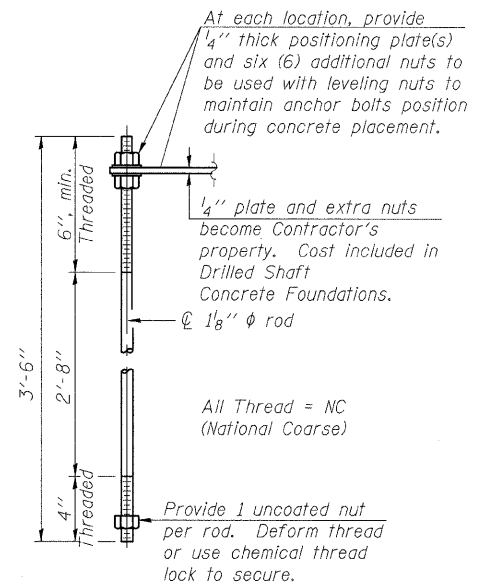
Truss Chord Nominal Dia.	a
5"	3 3/4"
5 1/2"	13 1/16"
6"	7 7/8"
6 1/2"	15 1/16"



ANCHOR ROD DETAIL
Spread Footing Foundation



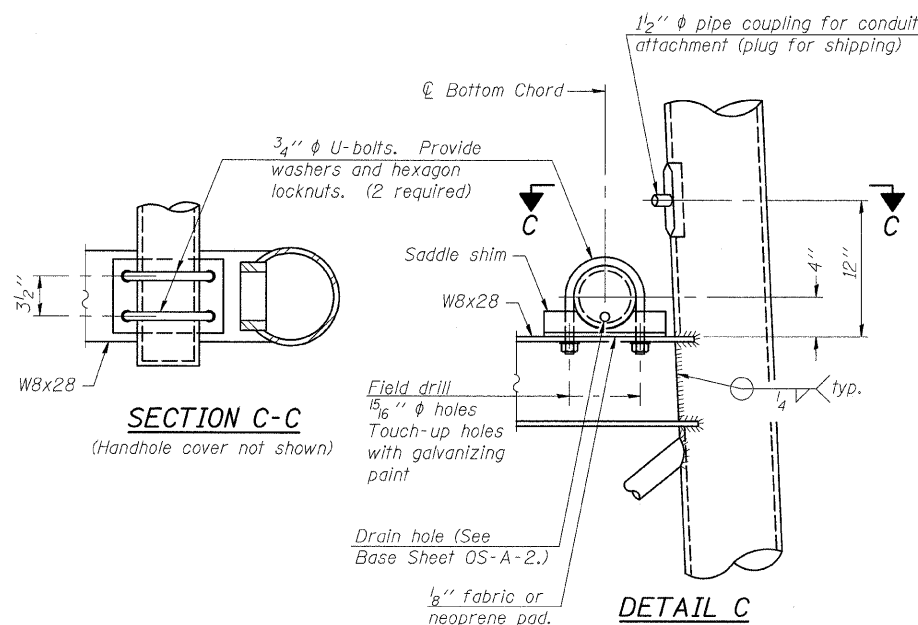
POSITIONING PLATE(S)



ANCHOR ROD DETAIL
Drilled Shaft Foundation

Anchor rods shall conform to AASHTO M314 Grade 36 or 55 and meet Charpy V-Notch (CVN) energy of 15 lb.-ft. at 40° F. Galvanize upper 12" per AASHTO M232. No welding shall be permitted on rods.

TYPE I-A TRUSS
8" ϕ PIPE SUPPORT FRAME DETAILS



SECTION C-C
(Handhole cover not shown)

DETAIL C

NUMBER	REVISION	DATE

DESIGNED	KLH
CHECKED	JJD
DRAWN	KLH
CHECKED	JJD

OS-A-4A

12-1-08

OVERHEAD SIGN STRUCTURES
SUPPORT FRAME DETAILS ALUMINUM TRUSS

F.A.I. ROUTE 270 (I-270), SEC. 60-2RS-3
MADISON COUNTY

SHEET NO. 7	F.A.I. RTE.	SECTION	COUNTY	TOTAL SHEETS	SHEET NO.
14 SHEETS	270	60-2RS-3	MADISON	231	128
					CONTRACT NO. 76D87

ILLINOIS FED. AID PROJECT

HORNER & SHIFRIN, INC.
ENGINEERS