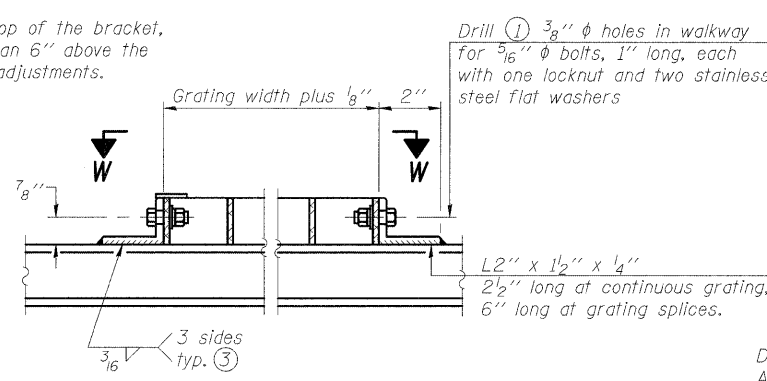
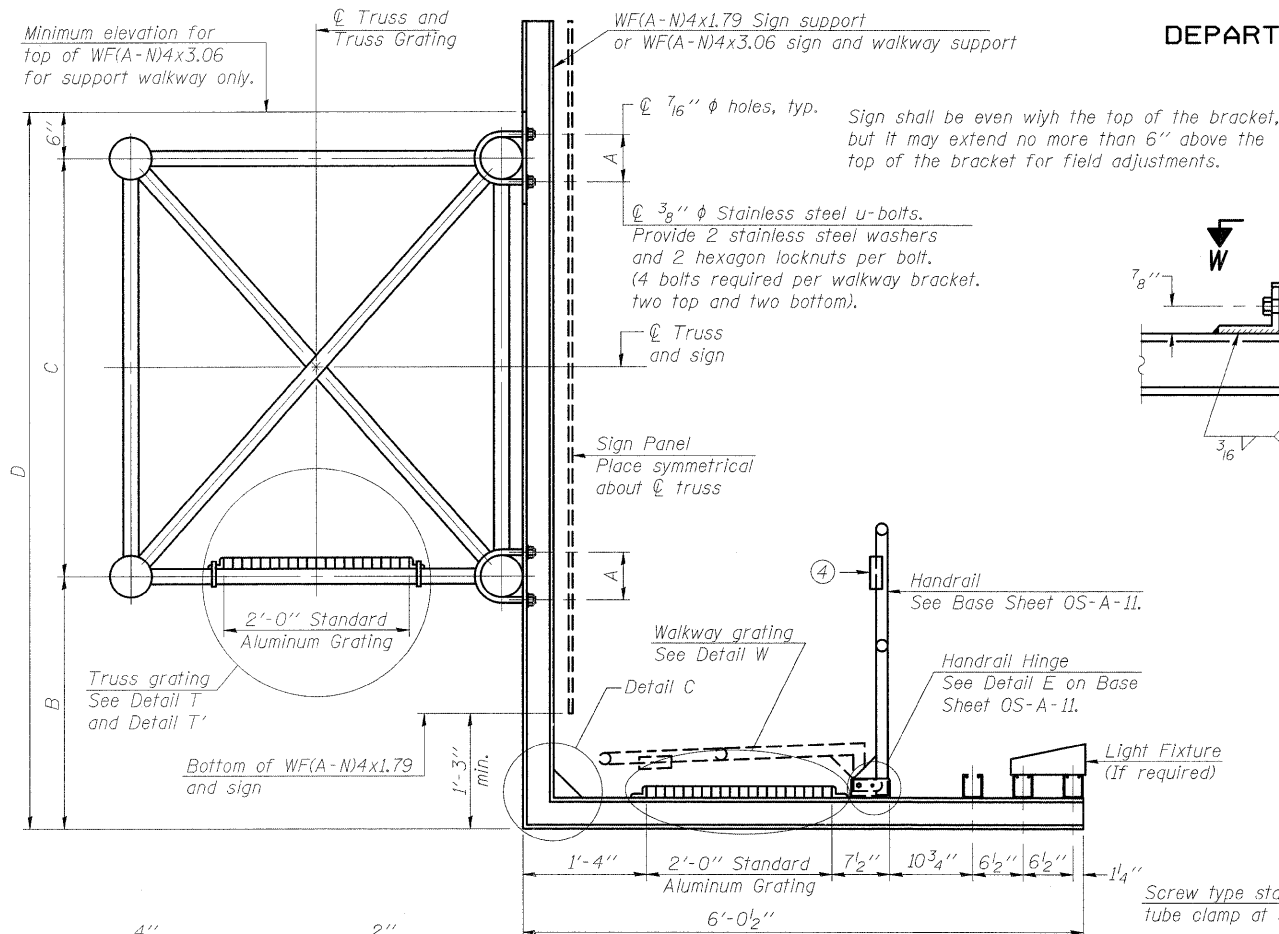
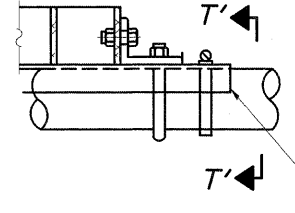


STATE OF ILLINOIS
DEPARTMENT OF TRANSPORTATION

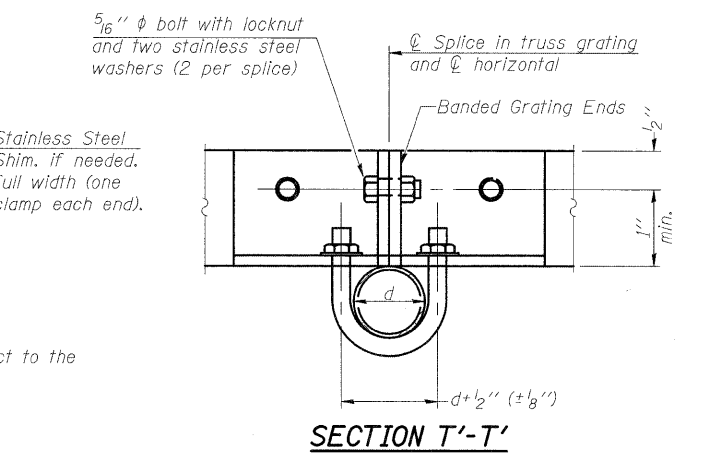


DETAIL W
(Walkway grating)

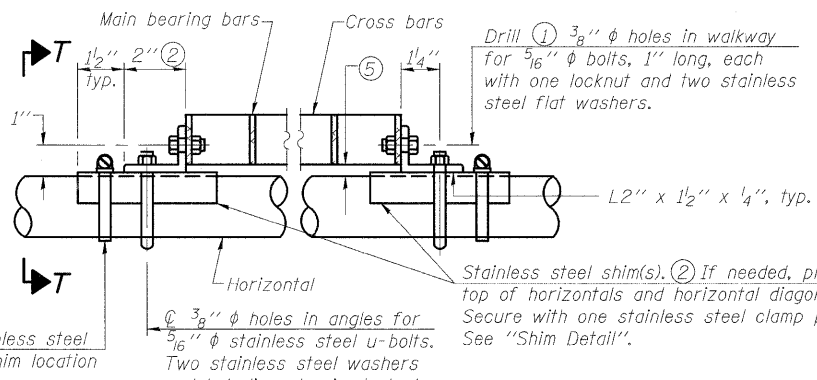


DETAIL T'

(Truss grating splice)
Details not shown same as Detail T. Alternate materials may be used subject to the Engineer's review and approval.

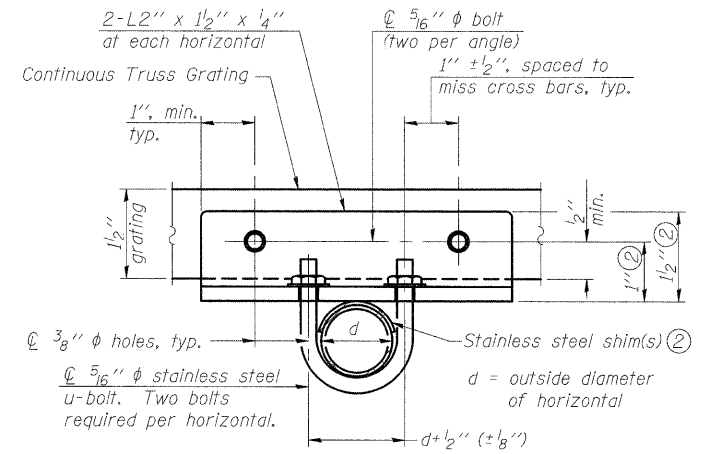


SECTION T'-T'



DETAIL T

(Continuous Truss grating)



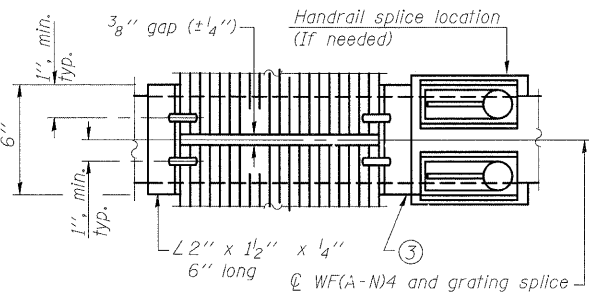
SECTION T-T

SPECIFICATIONS FOR STANDARD ALUMINUM GRATING

Main Bearing Bars shall be 3/16" x 1 1/2" on 1 3/16" centers and conform to ASTM B221 Alloy 6061-T6.
Cross bars shall be 3/16" x 1 1/2" on 4" centers and conform to ASTM B221 Alloy 6063-T5 or 6061-T6.

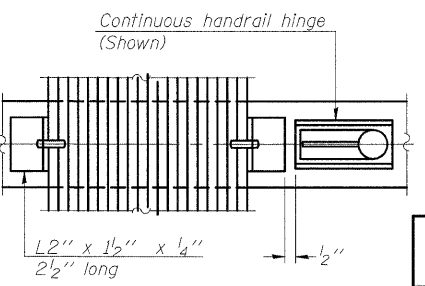
OR

Aluminum Grating with modified "T" sections for main bearing bars shall meet the following requirements:
Main bars shall conform to ASTM B221 Alloy 6061-T6 and have a minimum section modulus equal to 0.0705 in.³ per bar, a depth of 1 1/2", spaced on 1 3/16" centers.
Cross bars shall conform to ASTM B221 Alloy 6063-T5 or T-42 and spaced on 4" centers.



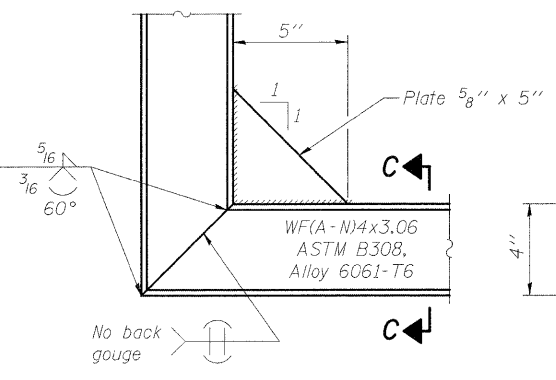
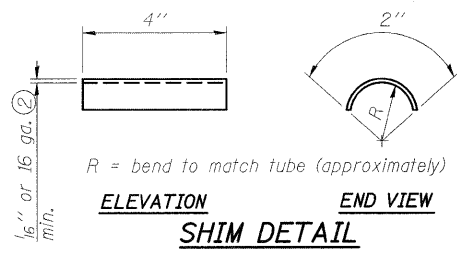
SECTION B-B

(AT WALKWAY GRATING SPLICE)

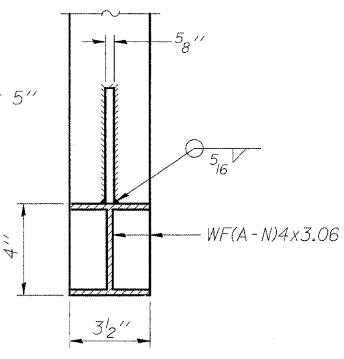


(CONTINUOUS WALKWAY GRATING)

SECTION W-W



DETAIL C



SECTION C-C

DESIGNED	KLH
CHECKED	JJD
DRAWN	KLH
CHECKED	JJD



NUMBER	REVISION	DATE
1	Revised Dimensions	5/3/2010

Structure Number	Station	A	(6) B	C	(6) D
8S060I270L003.0	249+50.00	5 1/2"	4'-9"	4'-6"	9'-9"
8S060S003L009.3	1347+50.00	5 1/2"	3'-6"	4'-6"	8'-6"
8S060I270L002.8	31271+50.00	5 1/2"	2'-9"	4'-6"	7'-9"
8S060S003R008.6	1370+32.00	5 1/2"	3'-6"	4'-6"	8'-6"

- Drilling holes in grating may be done in shop or field, based on Contractor's preference and subject to accurate alignment.
- Stainless steel shims shall be placed as shown in Detail T if needed to compensate for alignment variations between horizontal and diagonal pipes beyond adjustment provided by angles. Thicker shims may be used subject to shims performing properly.
- If Handrail Joint present, weld angle to WF(A-N)4 and 1/4" extension bars. (See Base Sheet OS-A-11.)
- 1/8" x 1/2" x 2" welded to handrail posts to protect locations that contact grating.
- Tube to grating gap may vary from 0 to 1/2", max. to align walkway, allow for camber, etc.
- Based on actual height of tallest sign given on OS-A-1.

OVERHEAD SIGN STRUCTURES ALUMINUM WALKWAY DETAILS				
F.A.I. ROUTE 270 (I-270), SEC. 60-2RS-3 MADISON COUNTY				
SHEET NO. 10	F.A.I. RTE. 270	SECTION 60-2RS-3	COUNTY MADISON	TOTAL SHEETS 231 SHEET NO. 131
14 SHEETS				
CONTRACT NO. 76D87				
ILLINOIS FED. AID PROJECT				

OS-A-10 6-1-09