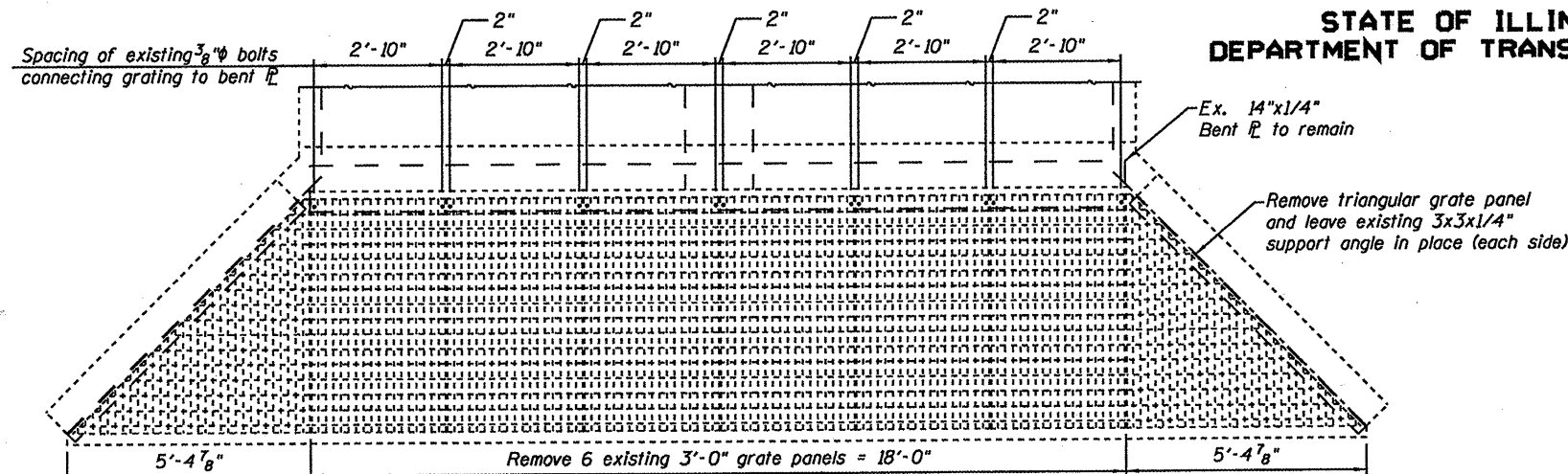
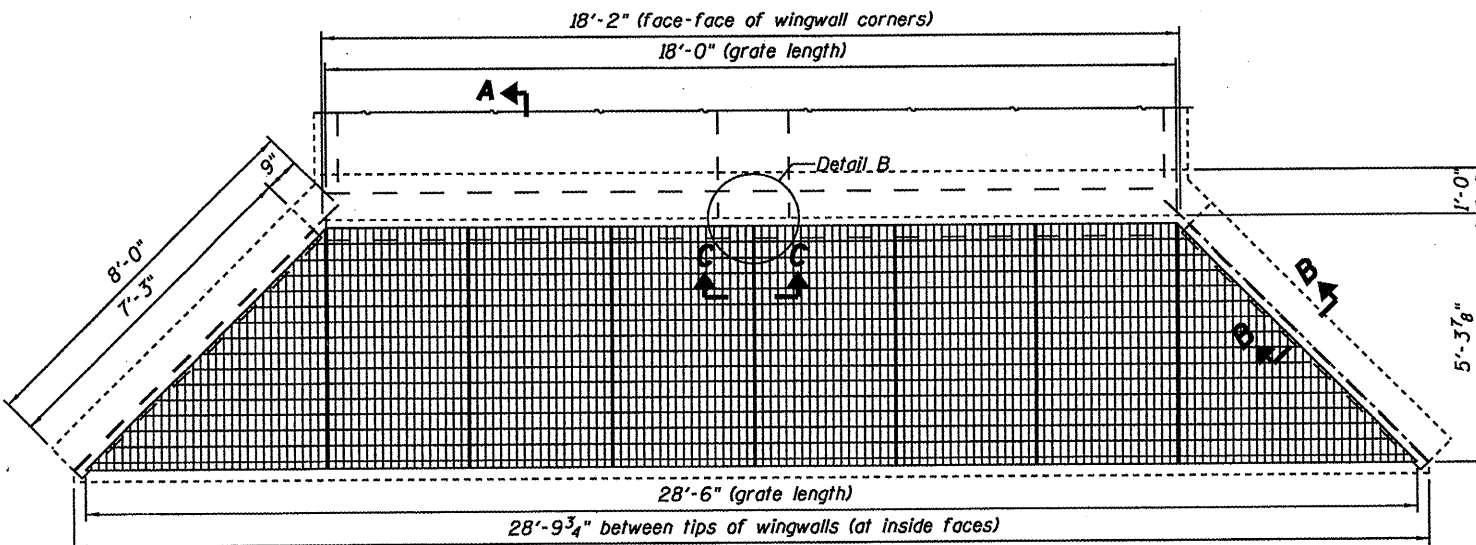


STATE OF ILLINOIS  
DEPARTMENT OF TRANSPORTATION

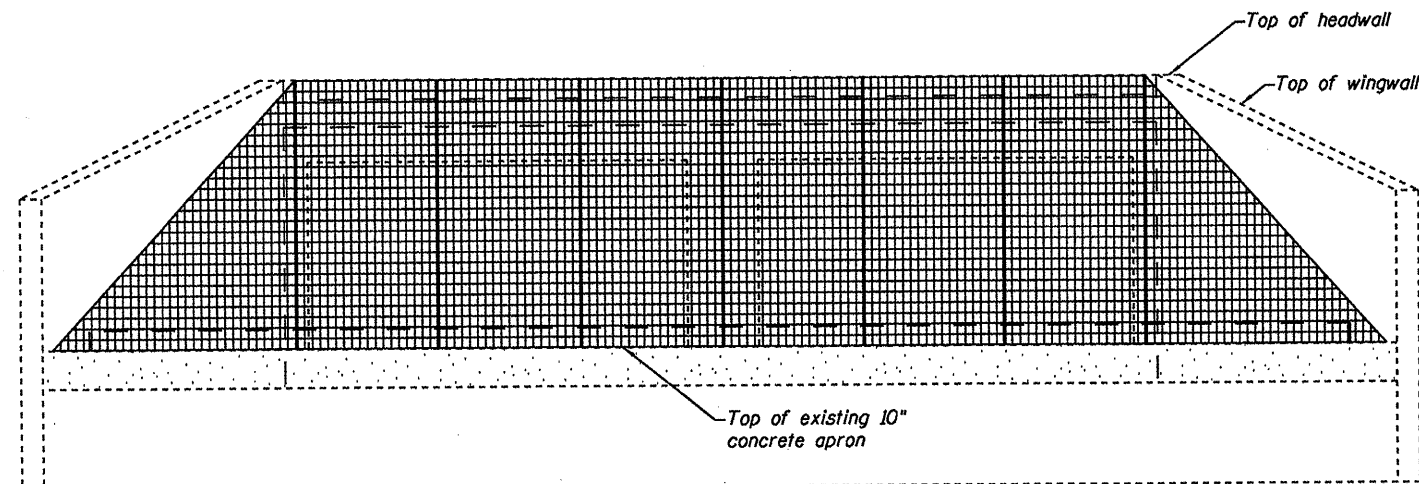
GENERAL NOTES



EXISTING PLAN

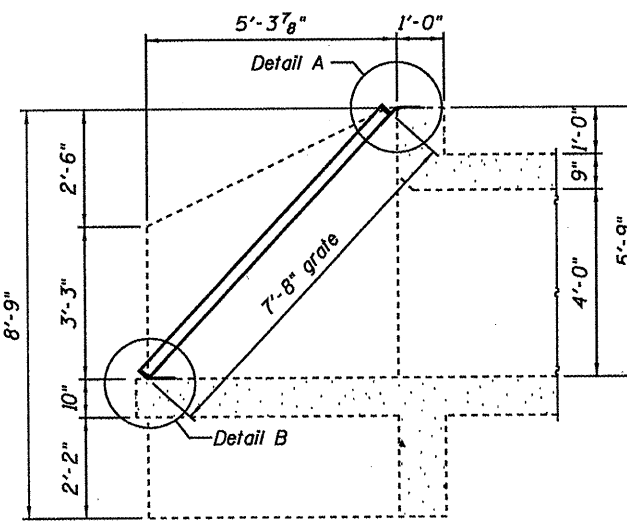


PROPOSED PLAN



ELEVATION

(Looking south into entrance of double box culverts)

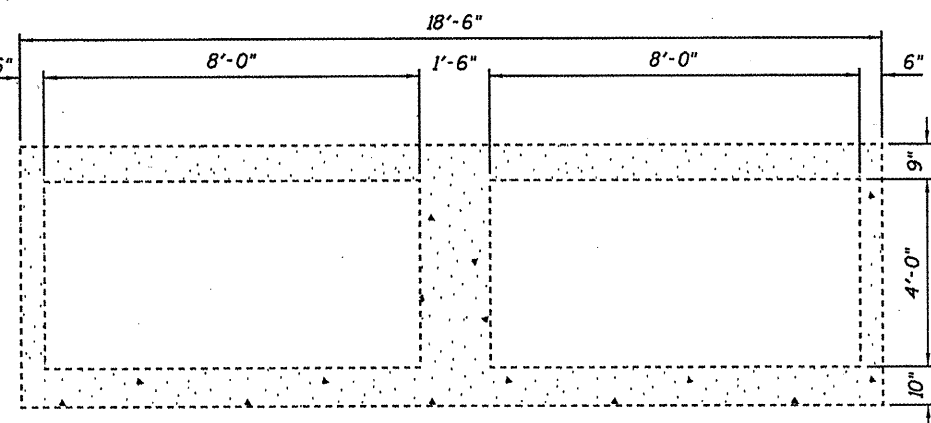
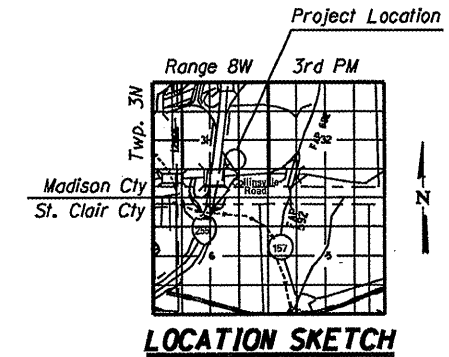


LONGITUDINAL SECTION A-A

(Looking East)

TOTAL BILL OF MATERIAL

ITEM	UNIT	TOTAL
Mobilization	L. Sum	1
Grating For Box Culvert, Location 1	Each	1



BARREL SECTION

PLAN & ELEVATION  
SN 060-2522

DESIGNED J. Uehle	June 11, 2018
CHECKED P. Sawyer	EXAMINED
DRAWN J. Uehle	ENGINEER OF STRUCTURAL SERVICES
CHECKED P. Sawyer	PASSED
	ENGINEER OF BRIDGES AND STRUCTURES

SHEET NO. 1	F.A.I. RTE.	SECTION	COUNTY	TOTAL SHEETS	SHEET NO.
2 SHEETS	255	82-1T-3	MADISON	5	4
			CONTRACT NO. 76D90		
ILLINOIS FED. AID PROJECT					