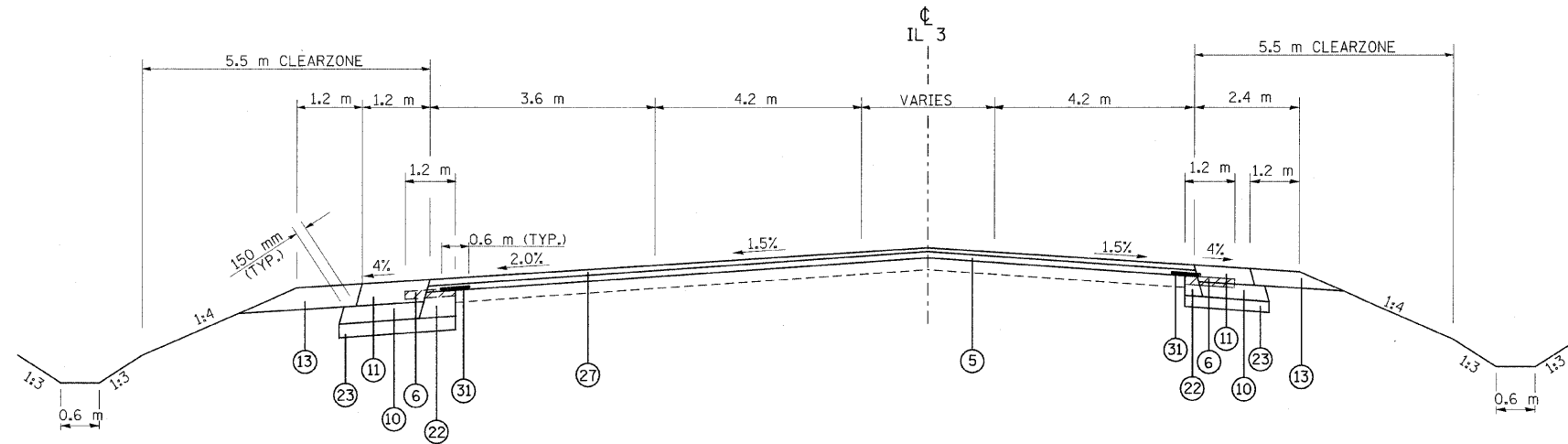


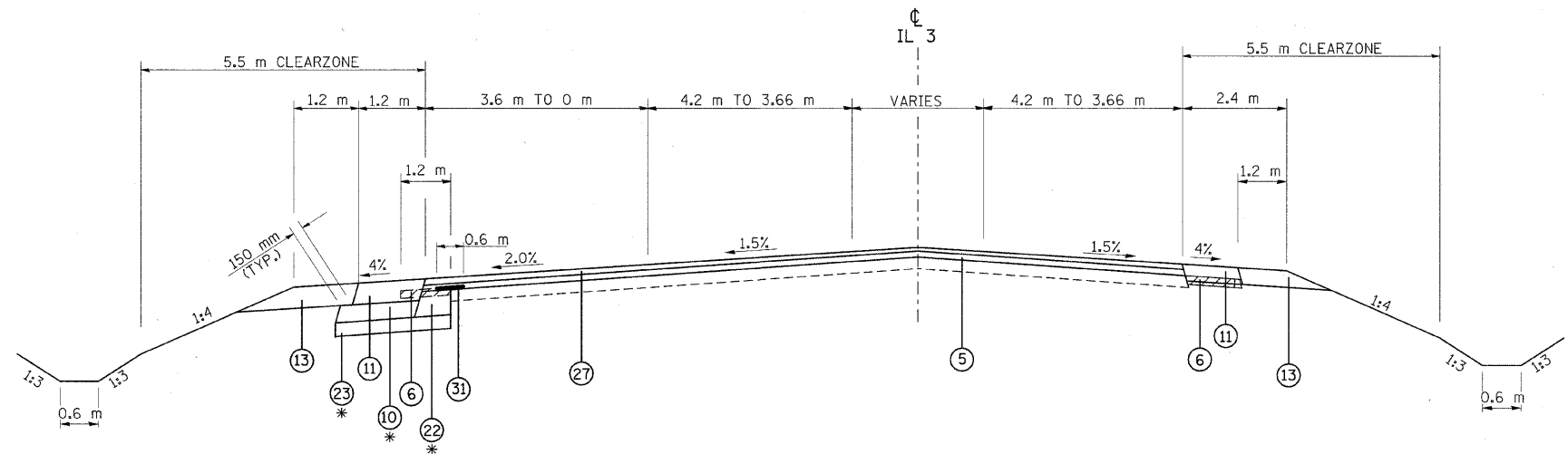
F.A.P. RTE.	SECTION	COUNTY	TOTAL SHEETS	SHEET NO.
312	101-2(RS-1,N-1)	ALEXANDER	189	18
STA.		TO STA.		
FED. ROAD DIST. NO.		ILLINOIS FED. AID PROJECT		

# TYPICALS



**TO BE USED:**  
STA. 42+070.1 TO STA. 42+108.9

- ① POLYMERIZED HOT-MIX ASPHALT SURFACE COURSE, MIX. D, N90 50MM
- ② POLYMERIZED HOT-MIX ASPHALT BINDER COURSE, IL-19.0, N90 38MM AND VARIABLE
- ③ HOT-MIX ASPHALT BINDER COURSE, IL-19.0, N90 292MM
- ④ ROCKFILL (CONSTRUCTED DURING PREVIOUS CONTRACT)
- ⑤ POLYMERIZED HOT-MIX ASPHALT BINDER COURSE, IL-19.0, N90 57MM AND VARIABLE
- ⑥ PAVED SHOULDER REMOVAL
- ⑦ PAVEMENT REMOVAL
- ⑧ PROCESSING MODIFIED SOILS 300MM
- ⑨ SUB-BASE GRANULAR MATERIAL, TYPE A 100MM (CONSTRUCTED DURING PREVIOUS CONTRACT)
- ⑩ SUB-BASE GRANULAR MATERIAL, TYPE C
- ⑪ HOT-MIX ASPHALT SHOULDERS, 200MM
- ⑫ HOT-MIX ASPHALT SHOULDERS, M. TON 95MM AND VARIABLE
- ⑬ AGGREGATE SHOULDERS, TYPE A 200MM
- ⑭ AGGREGATE WEDGE SHOULDER, TYPE B
- ⑮ PIPE UNDERDRAIN 100MM
- ⑯ PIPE UNDERDRAIN 100MM (SPECIAL)
- ⑰ CONCRETE HEADWALL FOR PIPE DRAINS
- ⑱ COMBINATION CONCRETE CURB AND GUTTER TYPE M-15.60
- ⑲ COMBINATION CONCRETE CURB AND GUTTER TYPE M-15.15
- ⑳ CONCRETE MEDIAN SURFACE, 100MM
- ㉑ COURSE AGGREGATE, CA7 OR CA11
- ㉒ HOT-MIX ASPHALT BASE COURSE, 285MM
- ㉓ SUB-BASE GRANULAR MATERIAL, TYPE A 100MM
- ㉔ PORTLAND CEMENT CONCRETE PAVEMENT 250MM (JOINTED)
- ㉕ HOT-MIX ASPHALT SURFACE REMOVAL 15MM AND VARIABLE
- ㉖ POLYMERIZED LEVELING BINDER (MACHINE METHOD), N90 VARIABLE
- ㉗ POLYMERIZED HOT-MIX ASPHALT SURFACE COURSE, MIX D, N90 38MM
- ㉘ HOT-MIX ASPHALT BINDER COURSE, IL-19.0, N90 285MM
- ㉙ HOT-MIX ASPHALT SHOULDERS, 250MM
- ㉚ AGGREGATE SHOULDERS, TYPE A 250MM
- ㉛ STRIP REFLECTIVE CRACK CONTROL TREATMENT
- ㉜ GRADE LINE (CONSTRUCTED DURING PREVIOUS CONTRACT)
- ㉝ STABILIZED SUB-BASE-HOT-MIX ASPHALT, 100MM



**TO BE USED:**  
STA. 42+108.9 TO STA. 42+225

\* ENDS AT STA. 42+205

REVISIONS	
NAME	DATE

ILLINOIS DEPARTMENT OF TRANSPORTATION

## TYPICALS

SCALE: VERT. NONE  
HORIZ.                      DRAWN BY CNH  
DATE                              CHECKED BY

PLOT DATE = 3/3/2018  
FILE NAME = c:\pwworkspace\1\p1\DOT\VRANZ\IC\dm413818\mod82599c2.tup.dgn  
PLOT SCALE = 50:10000 // IN.  
USER NAME = KrenzJP