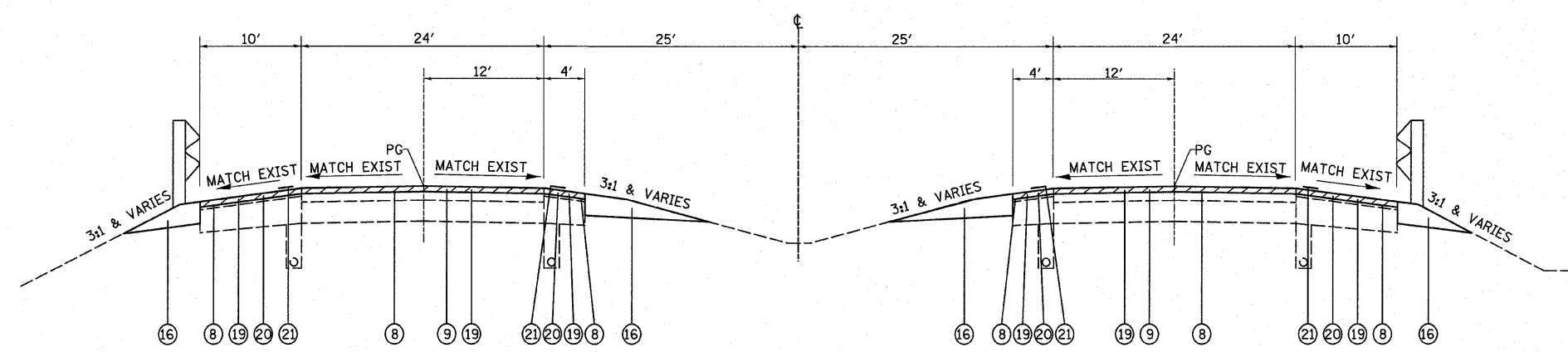
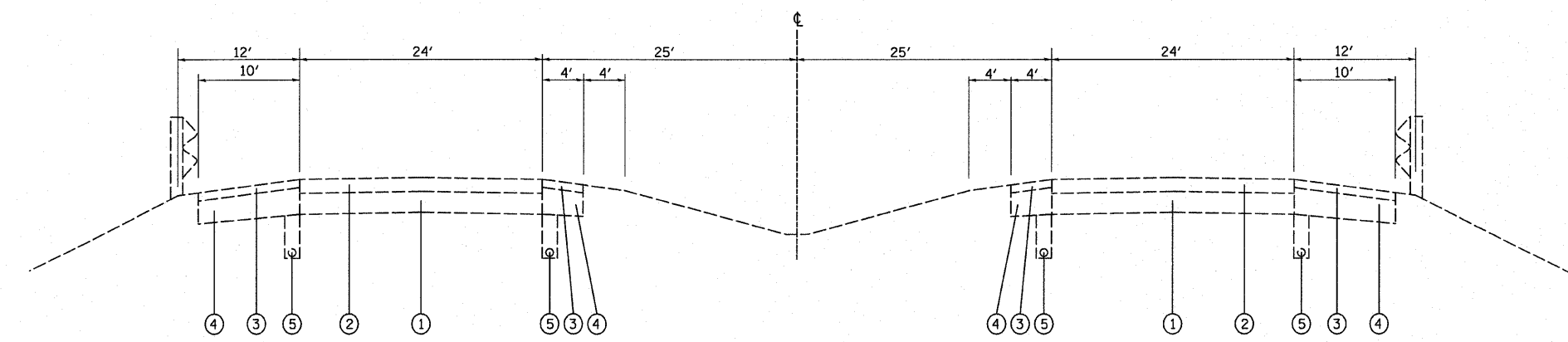


PROPOSED TYPICAL SECTION FAI ROUTE 57
 STA. 107+00.00 TO STA. 112+50.00
 STA. 124+50.00 TO STA. 131+50.00



PROPOSED TYPICAL SECTION FAI ROUTE 57
 STA. 105+50.00 TO STA. 107+00.00
 STA. 131+50.00 TO STA. 133+00.00



EXISTING TYPICAL SECTION FAI ROUTE 57
 STA. 105+50.00 TO STA. 118+74.12
 STA. 120+68.24 TO STA. 133+00.00

LEGEND

- ① EXISTING RUBBLIZED PCC PAVEMENT 10"
- ② EXISTING BITUMINOUS OVERLAY, 8" BINDER COURSE AND 2" SURFACE COURSE
- ③ EXISTING BITUMINOUS SHOULDER OVERLAY, 6 3/4"
- ④ EXISTING STABILIZED SHOULDERS
- ⑤ EXISTING SUB-SURFACE DRAINS
- ⑥ EXISTING PAVED SHOULDER TO BE REMOVED, ESTIMATED DEPTH 8"
- ⑦ EXISTING BRIDGE APPROACH PAVEMENT TO BE REMOVED
- ⑧ PROPOSED POLYMERIZED BITUMINOUS MATERIALS (PRIME COAT)
- ⑨ PROPOSED POLYMERIZED HOT-MIX ASPHALT SURFACE COURSE, MIX "E", N105, (2")
- ⑩ PROPOSED HOT-MIX ASPHALT BINDER COURSE, IL-19.0, N90, (9 1/2")
 PROPOSED POLYMERIZED HOT-MIX ASPHALT BINDER COURSE, IL-19.0, N105, (2 1/4")
- ⑪ PROPOSED POLYMERIZED HOT-MIX ASPHALT BINDER COURSE, IL-19.0, N105, (VARIABLE DEPTH)
- ⑫ PROPOSED PIPE UNDERDRAINS 4"
- ⑬ PROPOSED CONCRETE BARRIER, DOUBLE FACE, 42 INCH HEIGHT
- ⑭ PROPOSED SUB-BASE GRANULAR MATERIAL, TYPE B 12"
- ⑮ PROPOSED LIME MODIFIED SOIL, 12"
- ⑯ PROPOSED AGGREGATE SHOULDERS, TYPE B
- ⑰ PROPOSED PAVEMENT REMOVAL, 11 3/4"
- ⑱ PROPOSED PIPE UNDERDRAIN REMOVAL
- ⑲ PROPOSED HOT-MIX ASPHALT SURFACE REMOVAL, 2"
- ⑳ PROPOSED HOT-MIX ASPHALT SHOULDERS, 2"
- ㉑ PROPOSED SHOULDER RUMBLE STRIP

FILE NAME =	USER NAME = moissegrosser	DESIGNED -	REVISED -	STATE OF ILLINOIS DEPARTMENT OF TRANSPORTATION	EXISTING & PROPOSED TYPICAL SECTIONS I-57 OVER 7TH ST / C&E RAILROAD	F.A.I. RTE.	SECTION	COUNTY	TOTAL SHEETS	SHEET NO.
H:\PV25866p2\Technical_Production\Civil1\microstation\Sec285VB\typ285vb.dgn	DRAWN -	REVISED -	57			(28-5)VB-1	FRANKLIN	81	8	
PLOT SCALE = 58.000' / IN.	CHECKED -	REVISED -	CONTRACT NO. 78157							
PLOT DATE = 3/15/2010	DATE -	REVISED -	SCALE:			SHEET NO. 1 OF 2 SHEETS	STA. TO STA.	FED. ROAD DIST. NO.	ILLINOIS FED. AID PROJECT	