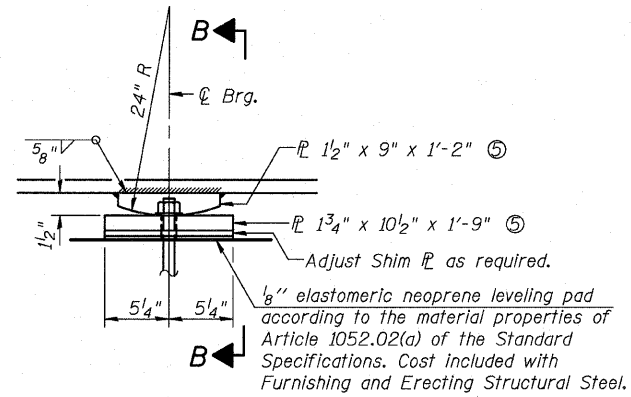
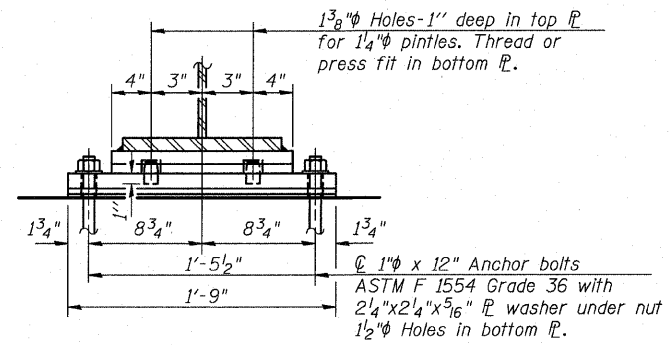


STATE OF ILLINOIS
DEPARTMENT OF TRANSPORTATION



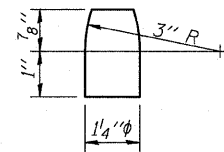
ELEVATION AT PIER



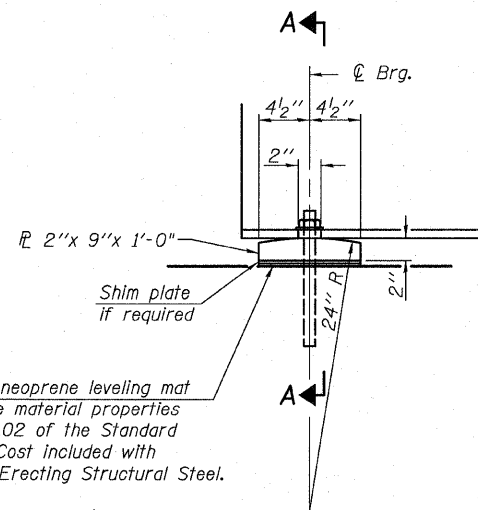
SECTION B-B

FIXED BEARING AT PIER

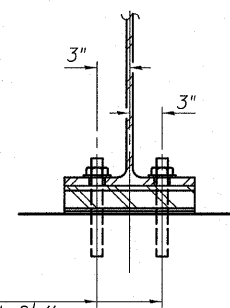
(22 Required)



PINTLE



ELEVATION AT ABUTMENT



SECTION A-A

FIXED BEARING AT ABUTMENT

(44 Required)

1/8\"/>

1\"/>

Note:

- ① Anchor bolts shall be ASTM F 1554 all-thread or an Engineer-approved alternate material of the grade and diameter specified. ASTM A 307 Grade C anchor bolts may be used in lieu of ASTM F 1554 Grade 36 (36ksi). The corresponding specified grade of AASHTO M 314 anchor bolts may be used in lieu of ASTM F 1554.
- ② Anchor bolts at fixed bearings may be either cast in place or installed in holes drilled after the supported member is in place.
- ③ Drilled and set anchor bolts shall be installed according to Article 521.06 of the Standard Specifications.
- ④ Two 1/8 in. adjusting shims shall be provided for each bearing in addition to all other plates or shims and placed as shown on bearing details.
- ⑤ AASHTO M 270 Grade 50 Steel.

BEARING DETAILS
STRUCTURE NO. 028-0079 (N.B.)
STRUCTURE NO. 028-0080 (S.B.)

SHEET NO. 17	F.A.I. RTE. 57	SECTION (28-5)VB-1	COUNTY FRANKLIN	TOTAL SHEETS 81	SHEET NO. 40
SHEETS 29			CONTRACT NO. 78157		
FED. ROAD DIST. NO. 7 ILLINOIS FED. AID PROJECT					



OATES ASSOCIATES
Consulting Engineers

Eastport Business Center 1
100 Lanter Court, Suite 1
Collinsville, Illinois 62234
618-345-2200
Design Firm License No. 184.001115

DESIGNED JAD
CHECKED MJP
DRAWN JAD
CHECKED MJP