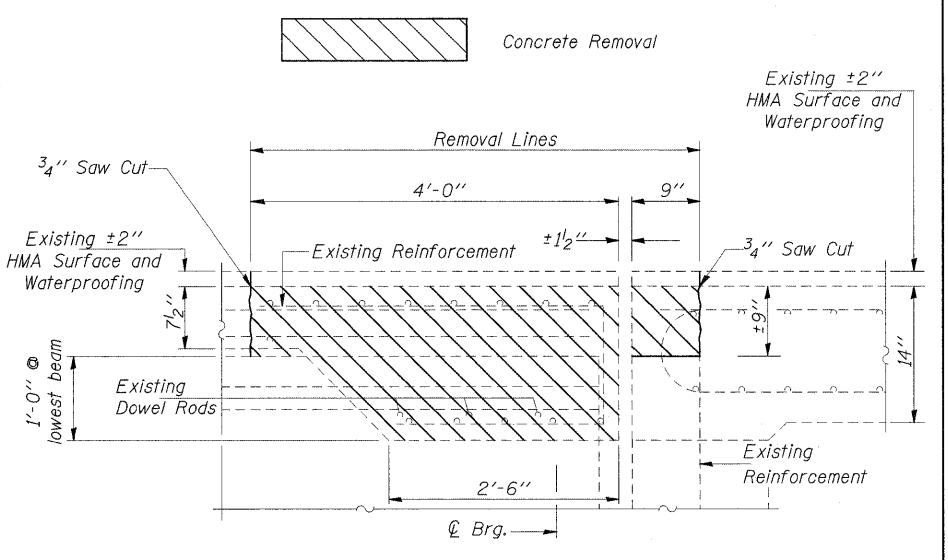
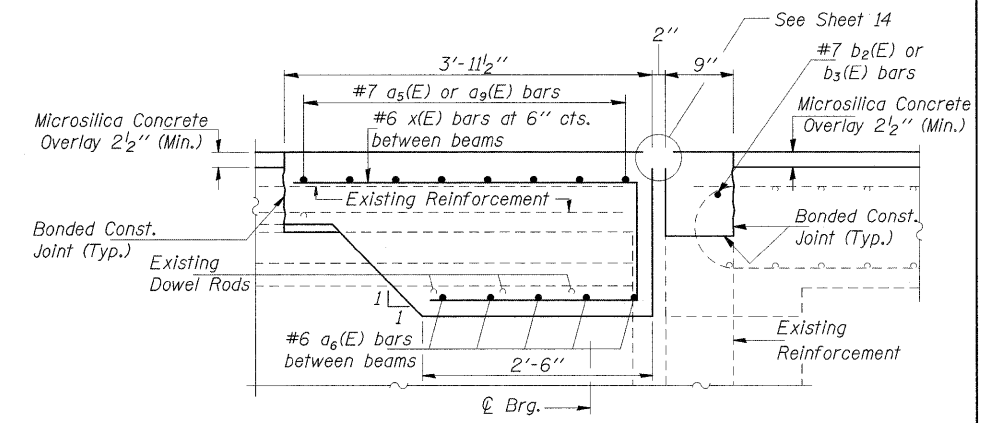


SOUTH ABUT. PLAN (SN 002-0003/4) SHOWING NEW CONCRETE
R.C. SLAB @ S.A. PLAN (SN 002-0001/2) SHOWING NEW CONCRETE

SOUTH ABUT. PLAN (SN 002-0003/4) SHOWING CONCRETE REMOVAL
R.C. SLAB @ S.A. PLAN (SN 002-0001/2) SHOWING CONCRETE REMOVAL



SECTION A-A
 Dimensions measured at Right Angles



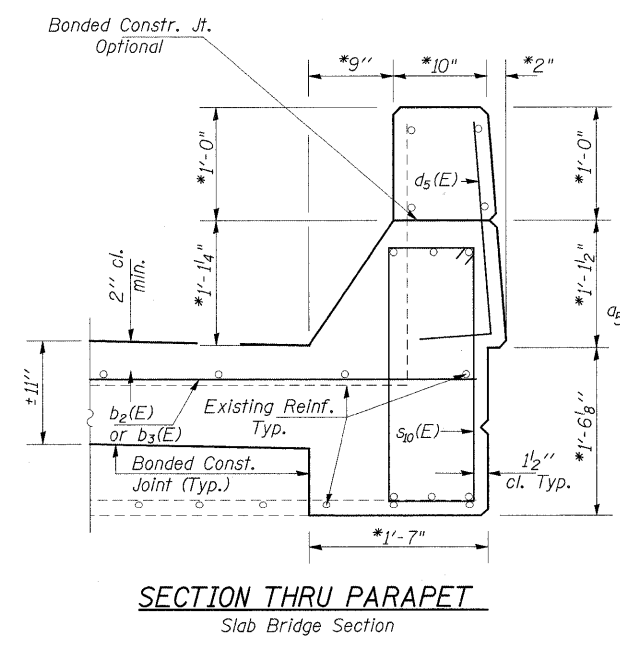
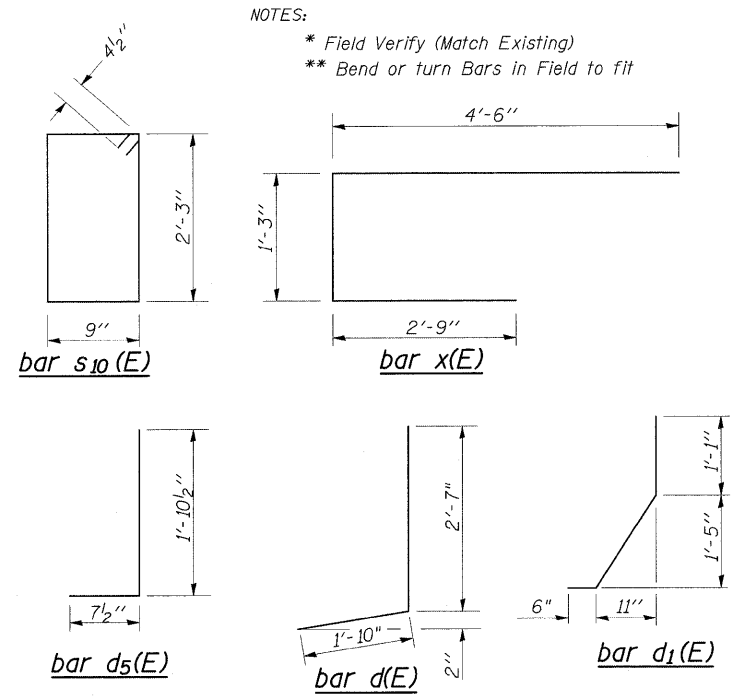
SECTION B-B
 Dimensions measured at Right Angles

BILL OF MATERIAL (BOTH JOINTS)

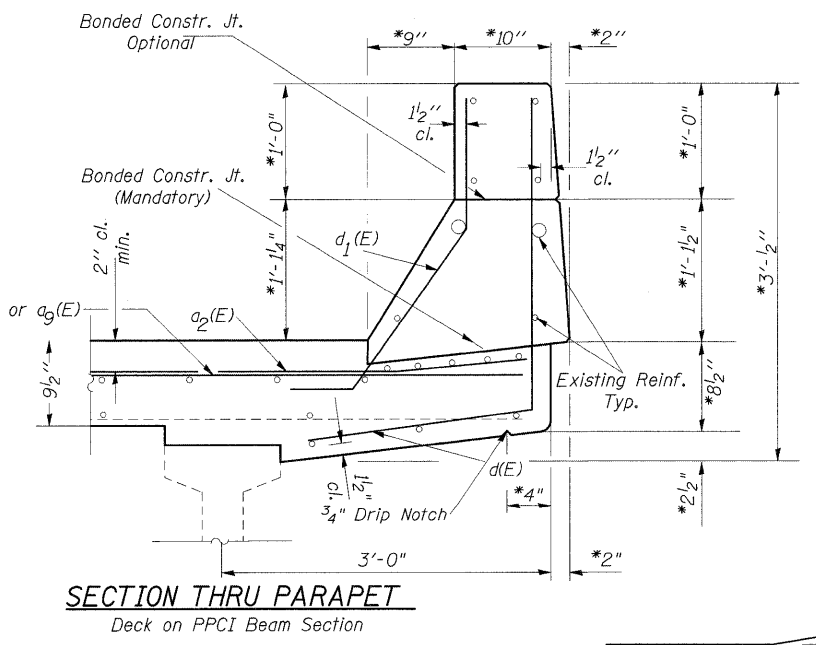
Bar No.	Size	Length	Shape
a ₂ (E)	24 #6	4'-0"	—
a ₅ (E)	16 #7	21'-6"	—
a ₆ (E)	40 #6	8'-7"	—
a ₉ (E)	16 #7	24'-2"	—
b ₂ (E)	2 #7	21'-6"	—
b ₃ (E)	2 #7	24'-2"	—
d(E)	24 #5	4'-5"	J
d ₁ (E)	24 #5	3'-3"	J
d ₅ (E)	8 #4	2'-6"	J
s ₁₀ (E)	8 #4	6'-9"	□
x(E)	112 #6	8'-6"	□
Concrete Superstructure			Cu. Yd. 24.7
Concrete Removal			Cu. Yd. 22.4
Reinforcement Bars, Epoxy Coated			Pound 4010

Reinforcement bars designated (E) shall be epoxy coated.

SOUTH ABUT. SN 002-0003/4 & R.C. SLAB @ SOUTH ABUT. SN 002-0001/2 JOINT REPLACEMENT DETAILS ALEXANDER COUNTY



SECTION THRU PARAPET
 Slab Bridge Section



SECTION THRU PARAPET
 Deck on PCI Beam Section

