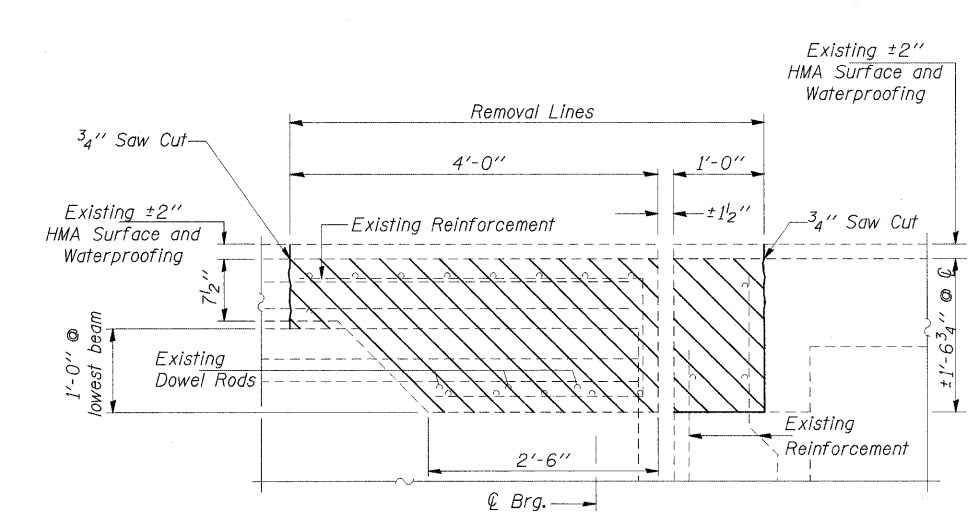


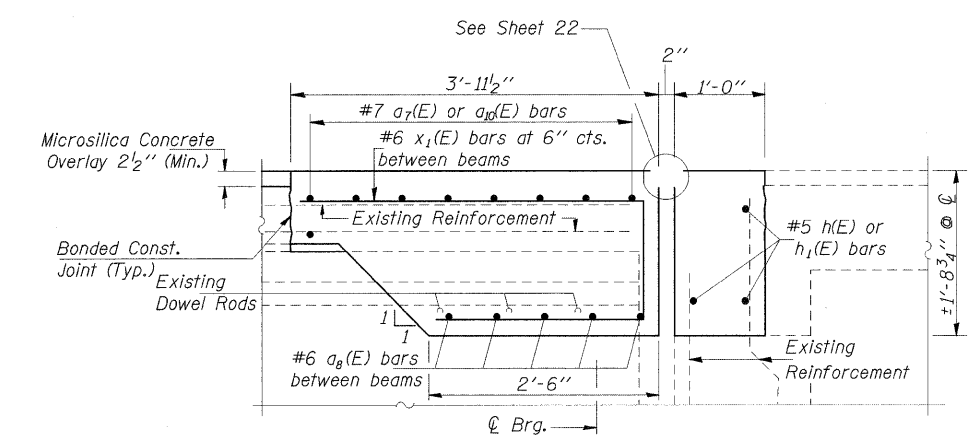
**JOINT @ SOUTH ABUT. PLAN
SHOWING NEW CONCRETE**

**JOINT @ SOUTH ABUT. PLAN
SHOWING CONCRETE REMOVAL**

Concrete Removal

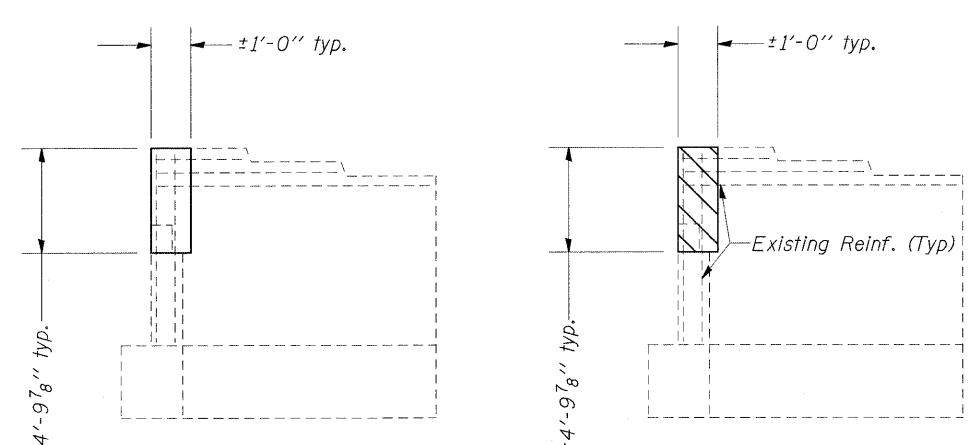


SECTION A-A



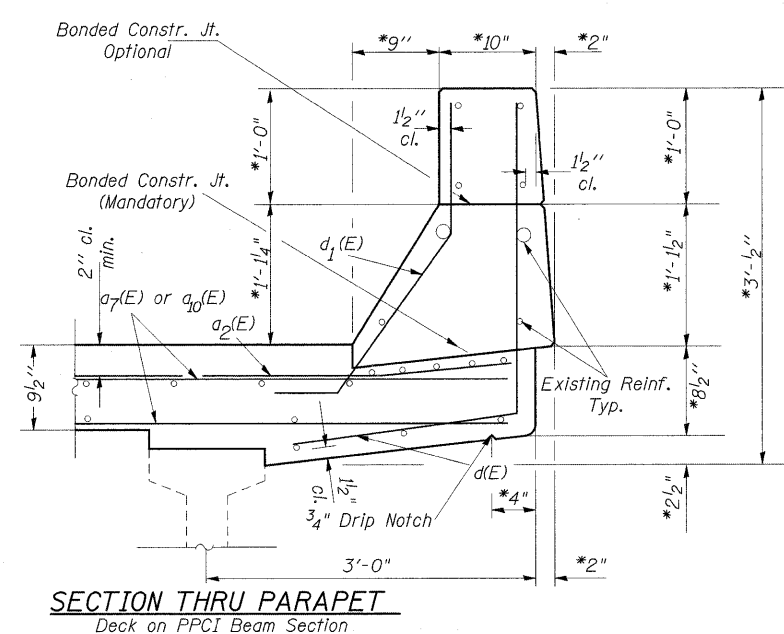
SECTION B-B

NOTES:
* Field Verify (Match Existing)

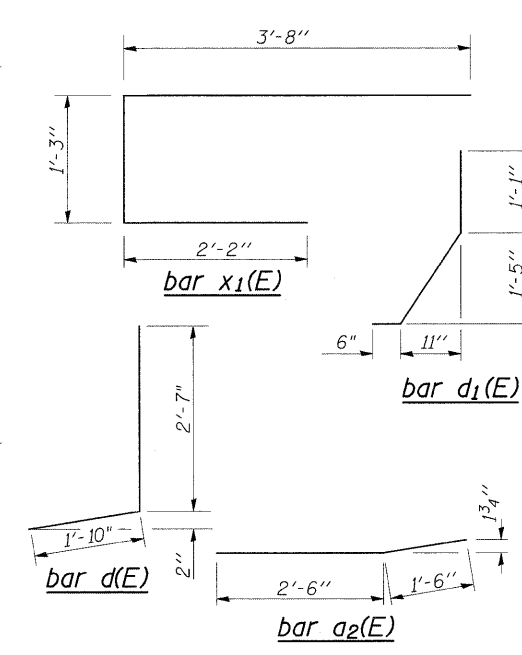


VIEW C-C
Showing Concrete Superstructures

VIEW D-D
Showing Concrete Removal



SECTION THRU PARAPET
Deck on PPCI Beam Section



BILL OF MATERIAL (BOTH JOINTS)

Bar No.	Size	Length	Shape
a ₂ (E)	#6	4'-0"	—
a ₇ (E)	#7	16'-5"	—
a ₈ (E)	#6	6'-6"	—
a ₁₀ (E)	#7	18'-5"	—
d(E)	#5	4'-5"	J
d ₁ (E)	#5	3'-3"	J
h(E)	#5	16'-5"	—
h ₁ (E)	#5	18'-5"	—
x ₁ (E)	#6	7'-1"	—
Concrete Superstructure		Cu. Yd.	21.4
Concrete Removal		Cu. Yd.	19.5
Reinforcement Bars, Epoxy Coated		Pound	3350

Reinforcement bars designated (E) shall be epoxy coated.

**SOUTH ABUTMENT
JOINT REPLACEMENT DETAILS
ALEXANDER COUNTY
STRUCTURE NO. 002-0001 (N.B.)
STRUCTURE NO. 002-0002 (S.B.)**