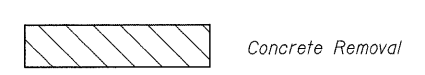
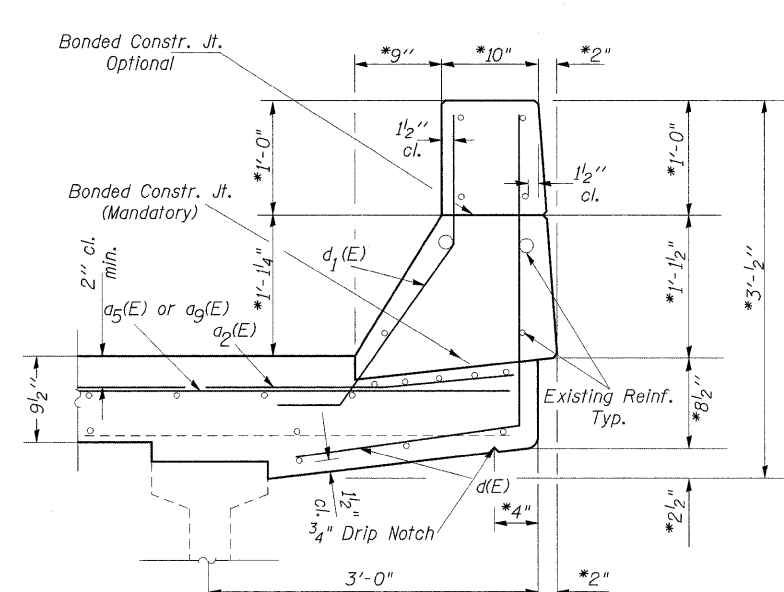


**JOINTS @ PIERS 1 & 2. PLAN
SHOWING NEW CONCRETE**

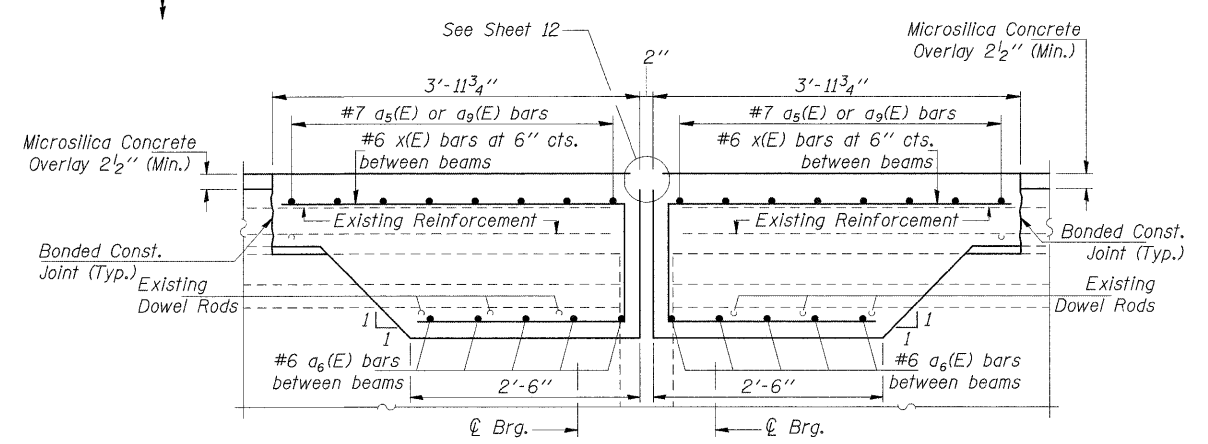
**JOINTS @ PIERS 1 & 2. PLAN
SHOWING CONCRETE REMOVAL**



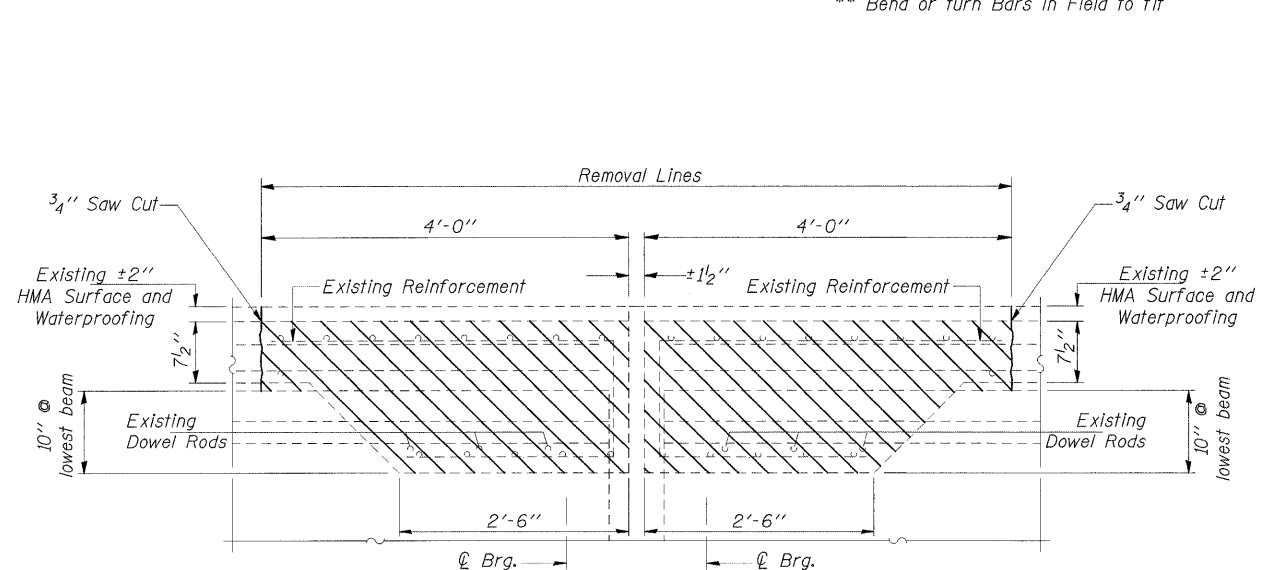
NOTES:
 * Field Verify (Match Existing)
 ** Bend or turn Bars in Field to fit



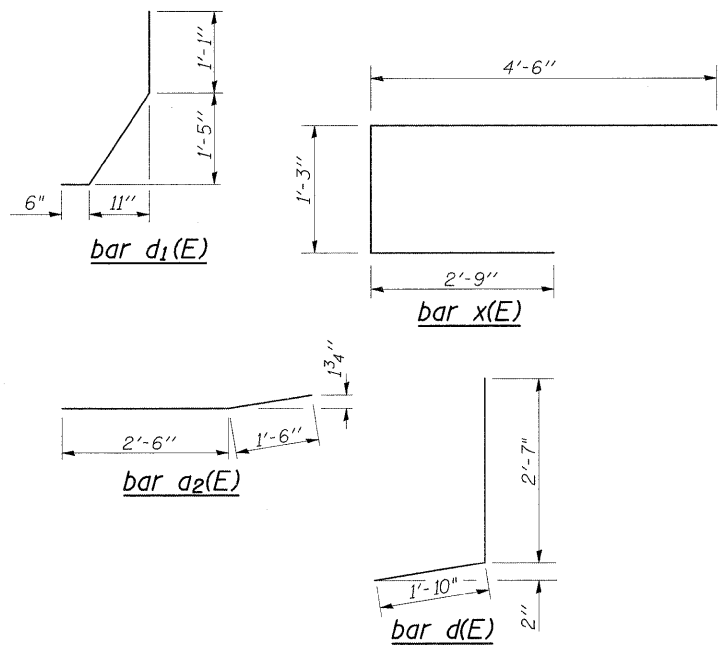
**SECTION THRU PARAPET
Deck on PCI Beam Section**



SECTION B-B



SECTION A-A



BILL OF MATERIAL (4 LOCATIONS)

Bar No.	Size	Length	Shape
a ₂ (E)	#6	4'-0"	—
a ₅ (E)	#7	21'-6"	—
a ₆ (E)	#6	8'-7"	—
a ₉ (E)	#7	24'-2"	—
d(E)	#5	4'-5"	J
d ₁ (E)	#5	3'-3"	J
x(E)	#6	8'-6"	□
Concrete Superstructure			Cu. Yd. 85.5
Concrete Removal			Cu. Yd. 76.8
Reinforcement Bars, Epoxy Coated			Pound 15100

Reinforcement bars designated (E) shall be epoxy coated.

**PIER #'S 1 & 2
JOINT REPLACEMENT DETAILS
PULASKI COUNTY
STRUCTURE NO. 077-0001 (N.B.)
STRUCTURE NO. 077-0002 (S.B.)**