

STATE OF ILLINOIS
DEPARTMENT OF TRANSPORTATION

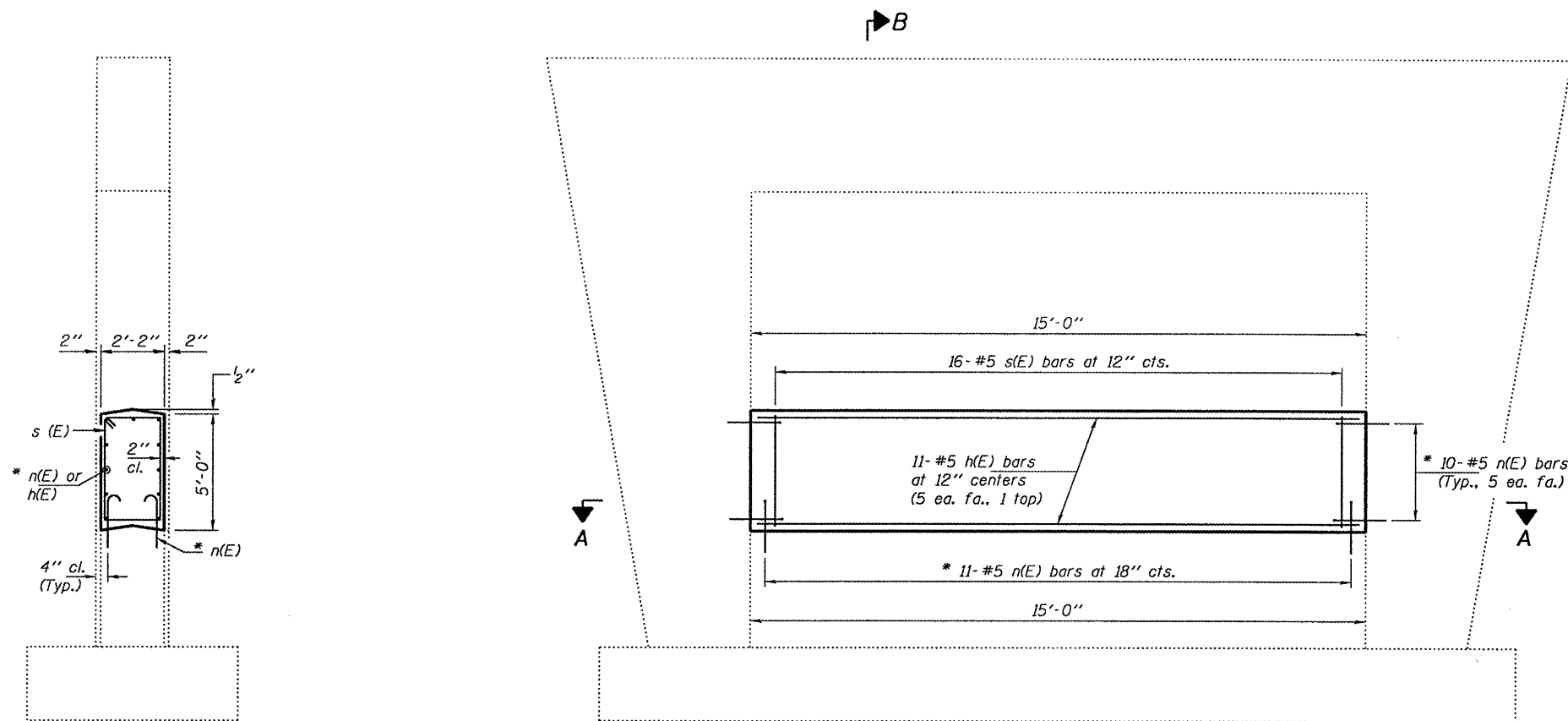
NOTES

The cost of epoxy grouting threaded rods shall be included with Reinforcement Bars, Epoxy Coated.

Plan dimensions and details relative to existing plans are subject to nominal construction variations. The Contractor shall field verify existing dimensions and details affecting new construction and make necessary approved adjustments prior to construction or ordering of materials. Such variations shall not be cause for additional compensation for a change in scope of the work, however, the Contractor will be paid for the quantity actually furnished at the unit price bid for the work.

Reinforcement bars shall conform to the requirements of ASTM A 706 Gr 60. See Special Provisions.

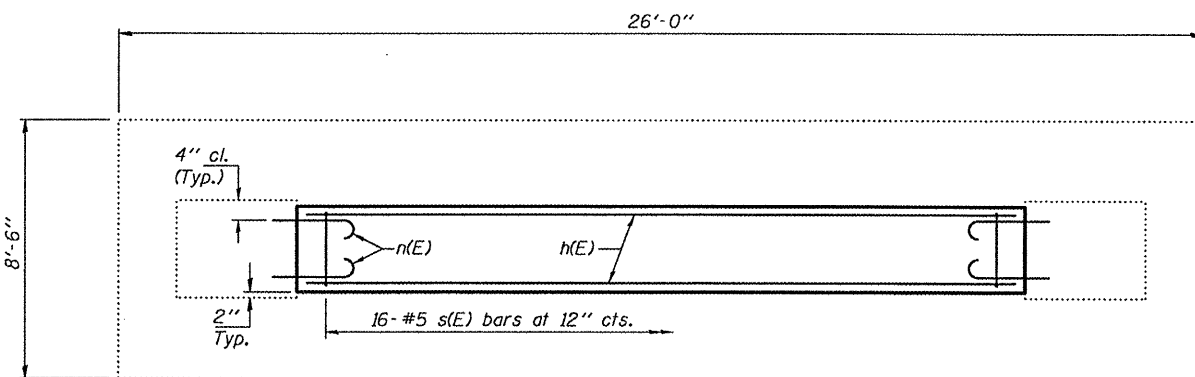
Reinforcement bars designated (E) shall be epoxy coated.



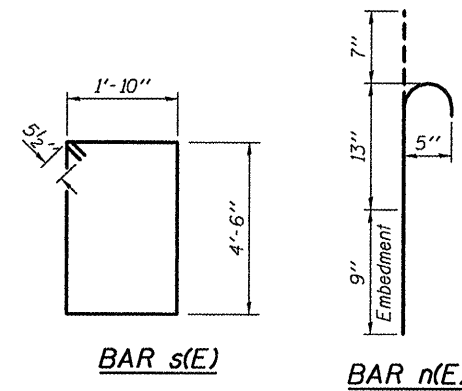
SECTION B-B

ELEVATION

* Epoxy grout n(E) bars in 9" min. holes according to Article 584 of the Standard Specifications.



SECTION A-A



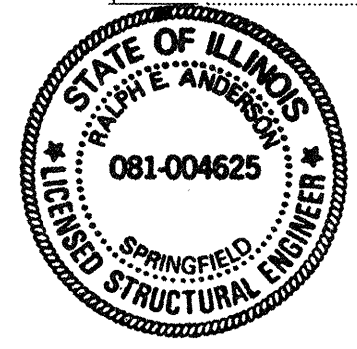
BAR s(E)

BAR n(E)

BILL OF MATERIAL

Bar	No.	Size	Length	Shape
h(E)	11	#5	14'-6"	—
n(E)	42	#5	2'-8"	—
s(E)	16	#5	13'-7"	□
Concrete Structures			Cu. Yd.	6.0
Reinforcement Bars, Epoxy Coated			Pound	500

**PIER IMPROVEMENT DETAILS
SN 041-0072**



Expires: November 30, 2010

DESIGNED *[Signature]*
CHECKED *[Signature]*
DRAWN Kyle M. Steffen
CHECKED *[Signature]*

MAY 10, 2010
EXAMINED *[Signature]*
PASSED *[Signature]*
ENGINEER OF BRIDGES AND STRUCTURES

SHEET NO. 1 1 SHEETS	F.A.I. RTE.	SECTION	COUNTY	TOTAL SHEETS	SHEET NO.
	64	D9 SAFETY 2010-1	JEFFERSON	26	18
FED. ROAD DIST. NO.			ILLINOIS FED. AID PROJECT		
CONTRACT NO. 78192					