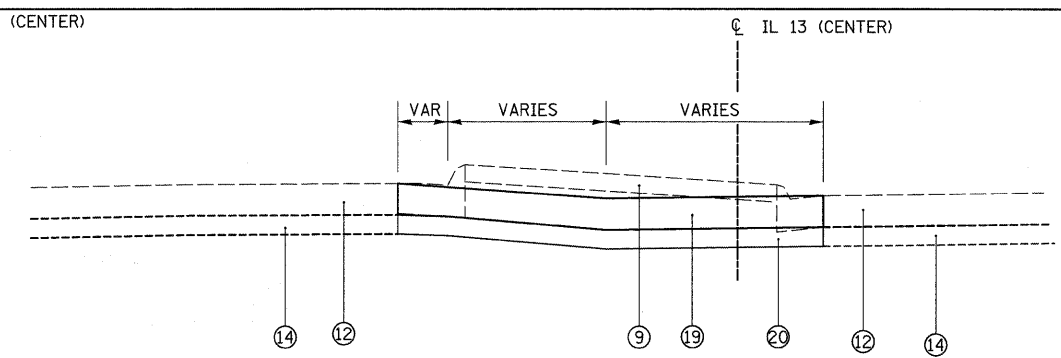


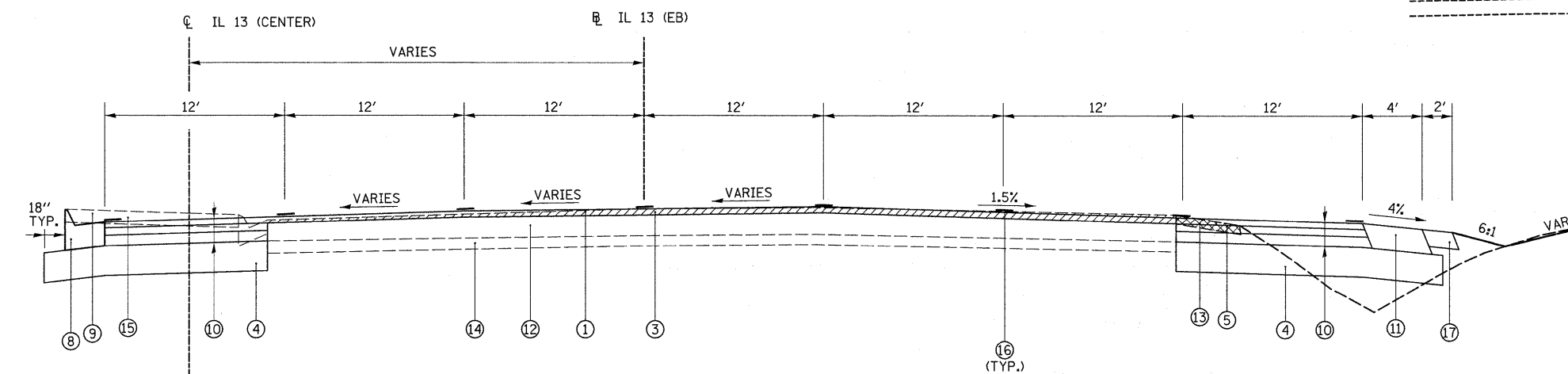
TO BE USED

STA. 788+49.24 TO STA. 790+61.26 IL 13 (WB)



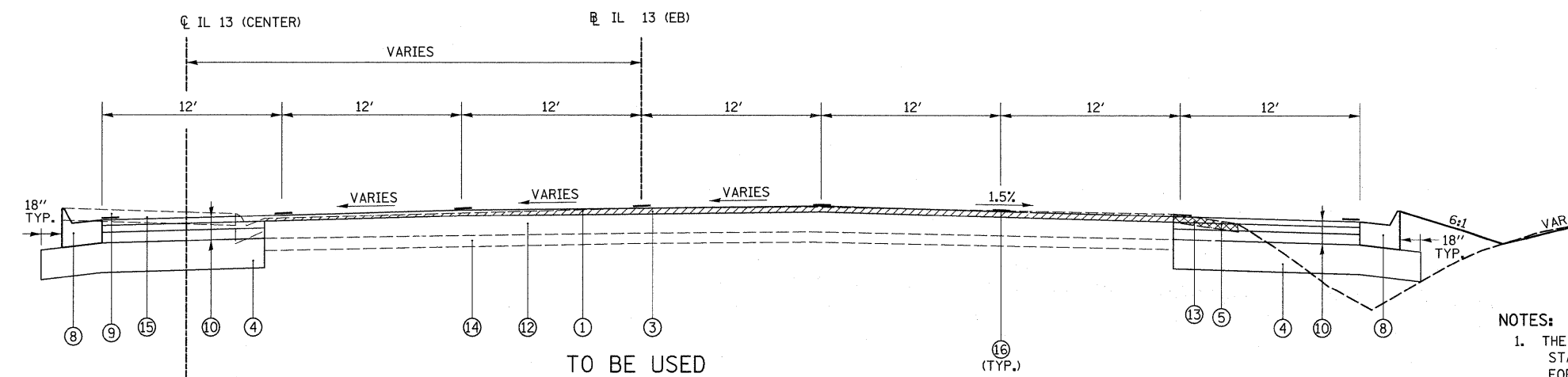
TO BE USED

STA. STA. 791+29.44 TO STA. 791+71.72 IL 13 (WB)
 STA. STA. 791+31.96 TO STA. 791+74.63 IL 13 (EB)
 STA. STA. 792+87.73 TO STA. 1793+49.69 IL 13 (WB)
 STA. STA. 792+91.13 TO STA. 1793+43.00 IL 13 (EB)



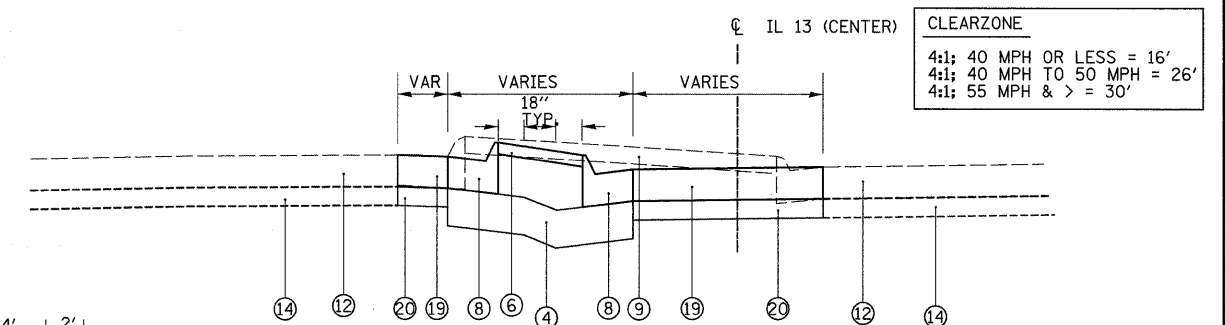
TO BE USED

STA. 788+49.22 TO STA. 790+00.00 IL 13 (EB)



TO BE USED

STA. 790+00.00 TO STA. 790+76.45 IL 13 (EB)



TO BE USED

STA. 790+90.80 TO STA. 791+29.44 IL 13 (WB)
 STA. 790+76.45 TO STA. 791+31.96 IL 13 (EB)

CLEARZONE	
4:1: 40 MPH OR LESS = 16'	
4:1: 40 MPH TO 50 MPH = 26'	
4:1: 55 MPH & > = 30'	

- ① POLYMERIZED HOT-MIX ASPHALT SURFACE COURSE, MIX "E", N105 1 1/2"
- ③ HOT-MIX ASPHALT SURFACE REMOVAL 1 1/2"
- ④ PROCESSING LIME MODIFIED SOILS 12"
- ⑤ PAVED SHOULDER REMOVAL
- ⑥ CONCRETE MEDIAN SURFACE, 4"
- ⑧ COMBINATION CONCRETE CURB AND GUTTER, TYPE M-6.24
- ⑨ CONCRETE MEDIAN REMOVAL
- ⑩ HOT-MIX ASPHALT PAVEMENT (FULL DEPTH), 11 3/4"
 -POLYMERIZED HOT-MIX ASPHALT SURFACE COURSE, MIX "E", N105, 1 1/2"
 -POLYMERIZED HOT-MIX BINDER COURSE, IL-19.0, N105, 2 1/4"
 -HOT-MIX BINDER COURSE, IL-19.0, N90, 8"
- ⑪ HOT-MIX ASPHALT SHOULDERS, 11 3/4"
- ⑫ EXISTING PCC PAVEMENT 10"
- ⑬ EXISTING PAVED SHOULDER
- ⑭ EXISTING GRANULAR BASE COURSE 4"
- ⑮ EXISTING SOLID CONCRETE MEDIAN
- ⑯ THERMOPLASTIC PAVEMENT MARKING - LINE 4"
- ⑰ AGGREGATE SHOULDERS, TYPE A. 8"
- ⑲ PORTLAND CEMENT CONCRETE PAVEMENT (JOINTED), 10"
- ⑳ SUB-BASE GRANULAR MATERIAL, TYPE A, 4"

NOTES:

1. THE COURSE AGGREGATE FILL (CA 16) TO SUB-GRADE NOTED IN STANDARD 606301 SHALL BE INCLUDED IN THE COST PER SQ. FT. FOR CONCRETE MEDIAN SURFACE, 4 INCH.

	CONCRETE MEDIAN REMOVAL
	PAVEMENT REMOVAL
	PAVED SHOULDER REMOVAL

FILE NAME =	USER NAME = #USER#	DESIGNED -	REVISED -	STATE OF ILLINOIS DEPARTMENT OF TRANSPORTATION	ROUTE 13 TYPICAL SECTIONS			F.A. RTE.	SECTION	COUNTY	TOTAL SHEETS	SHEET NO.	
#FILE#		DRAWN -	REVISED -		SCALE: N.T.S.	SHEET NO. 7 OF 14 SHEETS	STA.	TO STA.	* (X1-6-2)K-1(1X-1)R-4	WILLIAMSON	194	19	
		CHECKED -	REVISED -						* I-57/IL 13 (FAI 57/FAP 331)				
		DATE -	REVISED -										
CONTRACT NO. 78194													
ILLINOIS FED. AID PROJECT													