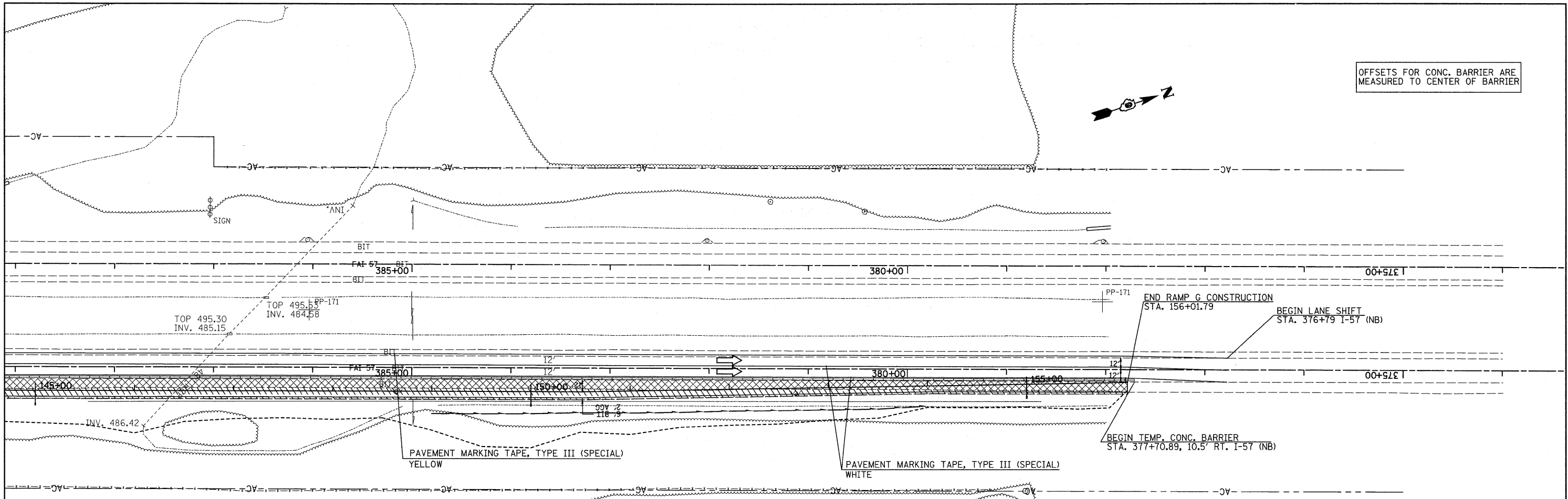
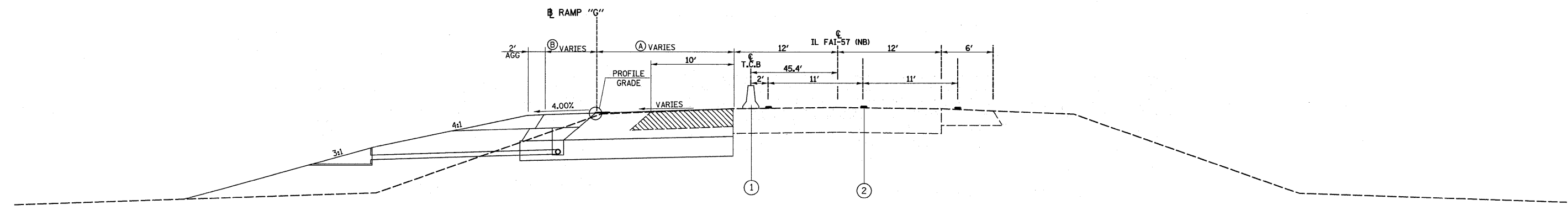


OFFSETS FOR CONC. BARRIER ARE MEASURED TO CENTER OF BARRIER



- TT TYPE 3 BARRICADE
- PAVEMENT REMOVAL AND PLACEMENT OF FULL DEPTH ASPHALT
- PROPOSED FULL DEPTH ASPHALT

TYPICAL SECTION TO BE USED FOR I-57 LANE SHIFT



- ① TEMPORARY CONCRETE BARRIER STATE OWNED
- ② PAVEMENT MARKING TAPE, TYPE III (SPECIAL)

FILE NAME = \$FILEL\$	USER NAME = #USER#	DESIGNED -	REVISED -	STATE OF ILLINOIS DEPARTMENT OF TRANSPORTATION	STAGE 3 RAMPS A & G			F.A. RTE.	SECTION	COUNTY	TOTAL SHEETS	SHEET NO.
	PLOT SCALE = #SCALE#	DRAWN -	REVISED -		SCALE:	SHEET NO. 3 OF 3 SHEETS	STA.	TO STA.	• (X1-6-2K-1; 1X-1R-4)	WILLIAMSON	194	76
	PLOT DATE = #DATE#	CHECKED -	REVISED -						• I-57/IL 13 (FAI 57/FAP 331)	CONTRACT NO. 78194		
		DATE -	REVISED -						ILLINOIS FED. AID PROJECT			