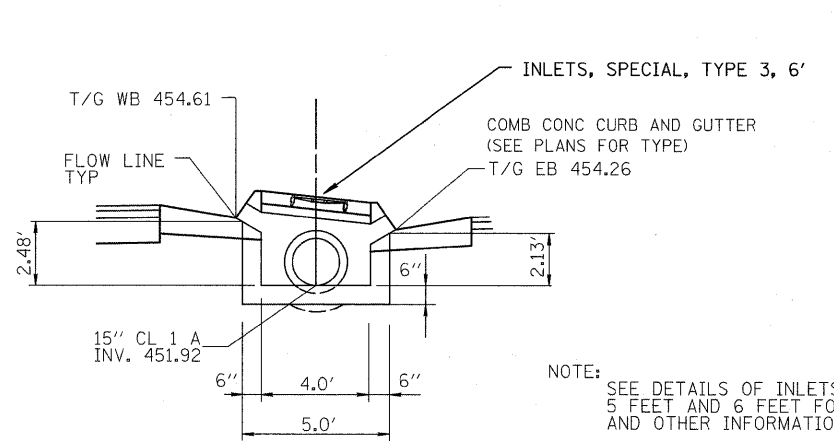


NOTES:
 PROVIDE 1/2" CLEARANCE TYP. ALL REINFORCEMENT UNLESS OTHERWISE SPECIFIED.
 CLASS SI CONCRETE SHALL BE USED THROUGHOUT. CONSTRUCT TRANSITION IN FLOWLINE IN 10 FEET EACH SIDE OF INLET. PIPES TO BE CONNECTED TO INLET AS SHOWN ON STORM SEWER LAYOUT.

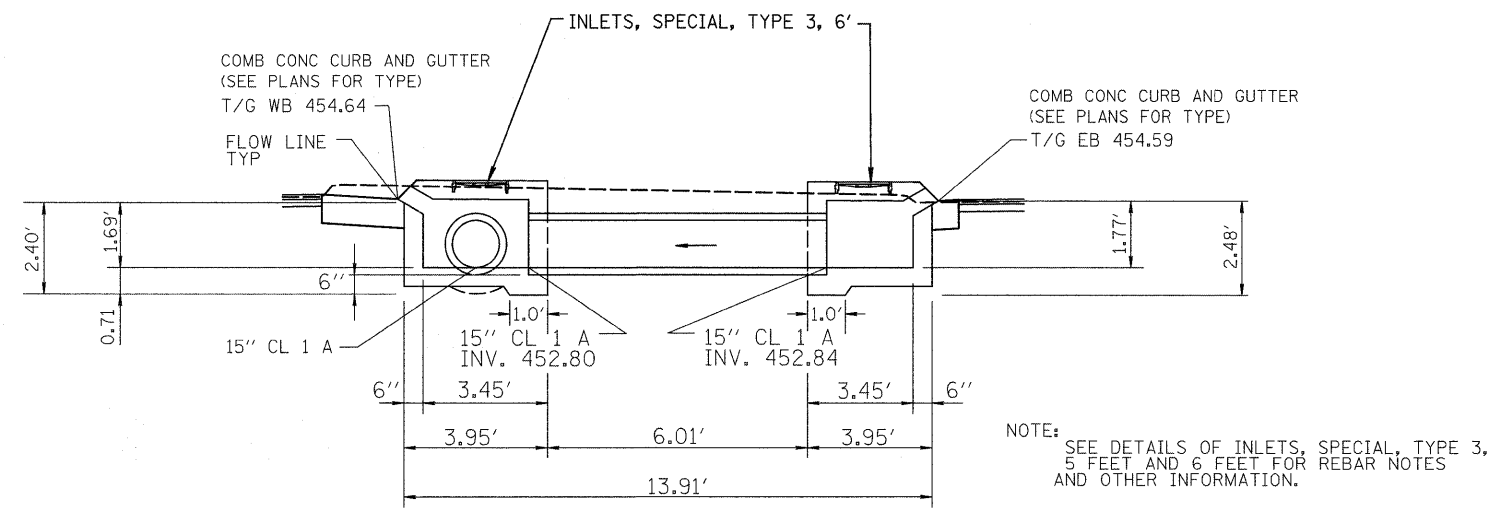
NOTE: SEE DETAILS OF INLETS, SPECIAL, TYPE 3, 5 FEET AND 6 FEET FOR REBAR NOTES AND OTHER INFORMATION.

26 DETAIL OF DRAINAGE STRUCTURE FOR LT. STA. 1795+44.83 IL 13 (EB)



NOTE: SEE DETAILS OF INLETS, SPECIAL, TYPE 3, 5 FEET AND 6 FEET FOR REBAR NOTES AND OTHER INFORMATION.

27 DETAIL OF DRAINAGE STRUCTURE FOR LT. STA. 1797+95.13 IL 13 (EB)



NOTE: SEE DETAILS OF INLETS, SPECIAL, TYPE 3, 5 FEET AND 6 FEET FOR REBAR NOTES AND OTHER INFORMATION.

28 DETAIL OF DRAINAGE STRUCTURE FOR LT. STA. 1799+04.82 IL 13 (EB)

FILE NAME =	USER NAME = #USER#	DESIGNED -	REVISED -	STATE OF ILLINOIS DEPARTMENT OF TRANSPORTATION	DETAILS: DRAINAGE STRUCTURE FOR 1797 + 95.13 IL 13 1795 + 44.83 IL 13			F.A. RTE.	SECTION	COUNTY	TOTAL SHEETS	SHEET NO.	
#FILE#		DRAWN -	REVISED -		SCALE: N.T.S.	SHEET NO.	OF	SHEETS	STA.	TO STA.	* (X1-6-2K-1(1X-1)R-4	194	124
		CHECKED -	REVISED -								* I-57/IL 13 (FAI 57/FAP 331)		
		DATE -	REVISED -								WILLIAMSON		
											CONTRACT NO. 78194		
											ILLINOIS FED. AID PROJECT		