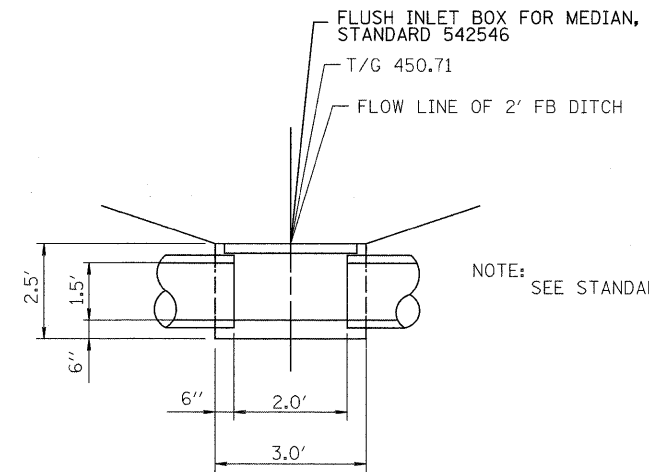
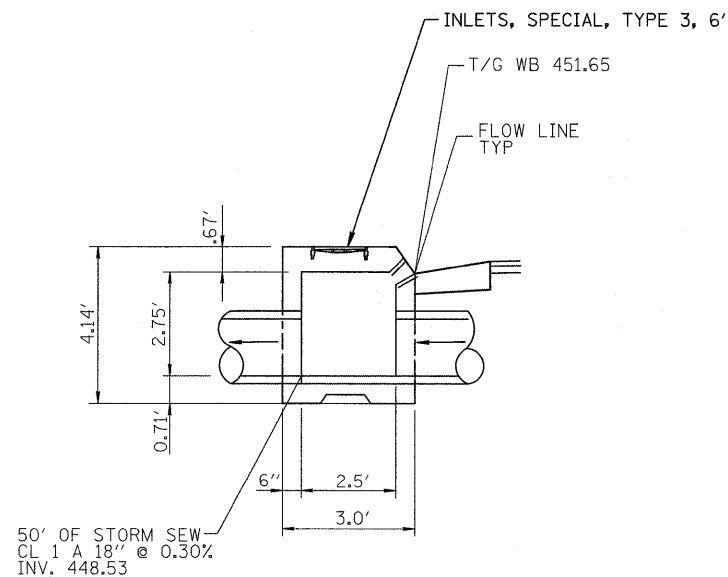


52) DETAIL OF DRAINAGE STRUCTURE FOR RT. STA. 406+63.79 HALFWAY RD.

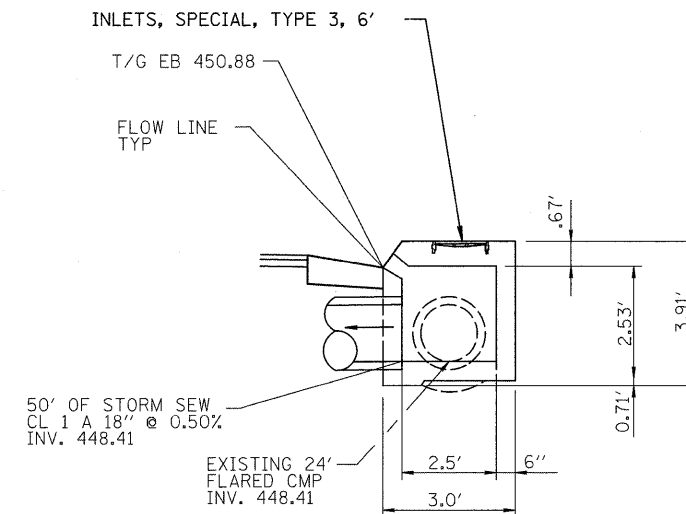


53) DETAIL OF DRAINAGE STRUCTURE FOR RT. STA. 406+45 HALFWAY RD.

NOTE: SEE DETAILS OF INLETS, SPECIAL, TYPE 3, 5 FEET AND 6 FEET FOR REBAR NOTES AND OTHER INFORMATION.



54) DETAIL OF DRAINAGE STRUCTURE FOR LT. STA. 00+74.95 FRONTAGE RD.



56) DETAIL OF DRAINAGE STRUCTURE FOR RT. STA. 00+66.52 FRONTAGE RD.

FILE NAME =	USER NAME = #USER#	DESIGNED -	REVISED -	STATE OF ILLINOIS DEPARTMENT OF TRANSPORTATION	DETAILS: DRAINAGE STRUCTURE FOR 00+72.52 FRONTAGE RD., 00+65.15 FRONTAGE RD., 406+45.00 HALFWAY RD., 406+64.50 HALFWAY RD.	F.A. RTE.	SECTION	COUNTY	TOTAL SHEETS	SHEET NO.
#FILEL#	PLOT SCALE = #SCALE#	DRAWN -	REVISED -			*	(X1-6-2)K-1(1X-1)R-4	WILLIAMSON	194	125
	PLOT DATE = #DATE#	CHECKED -	REVISED -			*	I-57/IL 13 (FAI 57/FAP 331)			CONTRACT NO. 78194
		DATE -	REVISED -							ILLINOIS FED. AID PROJECT
					SCALE: N.T.S.	SHEET NO.	OF	SHEETS	STA.	TO STA.