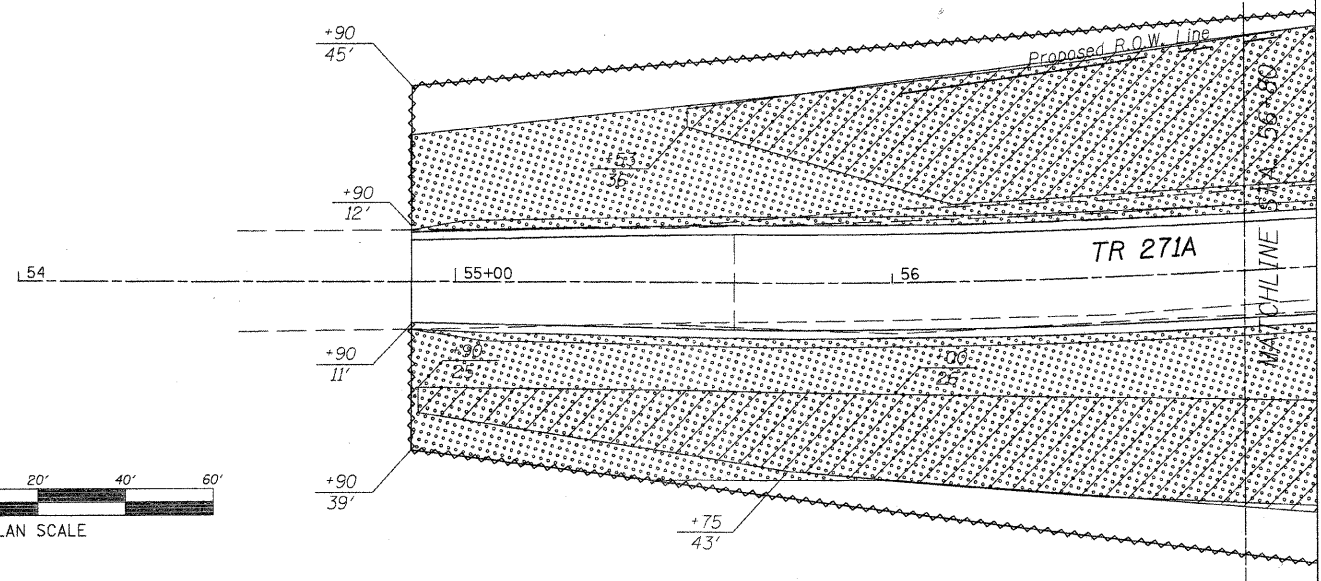
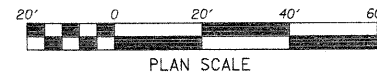
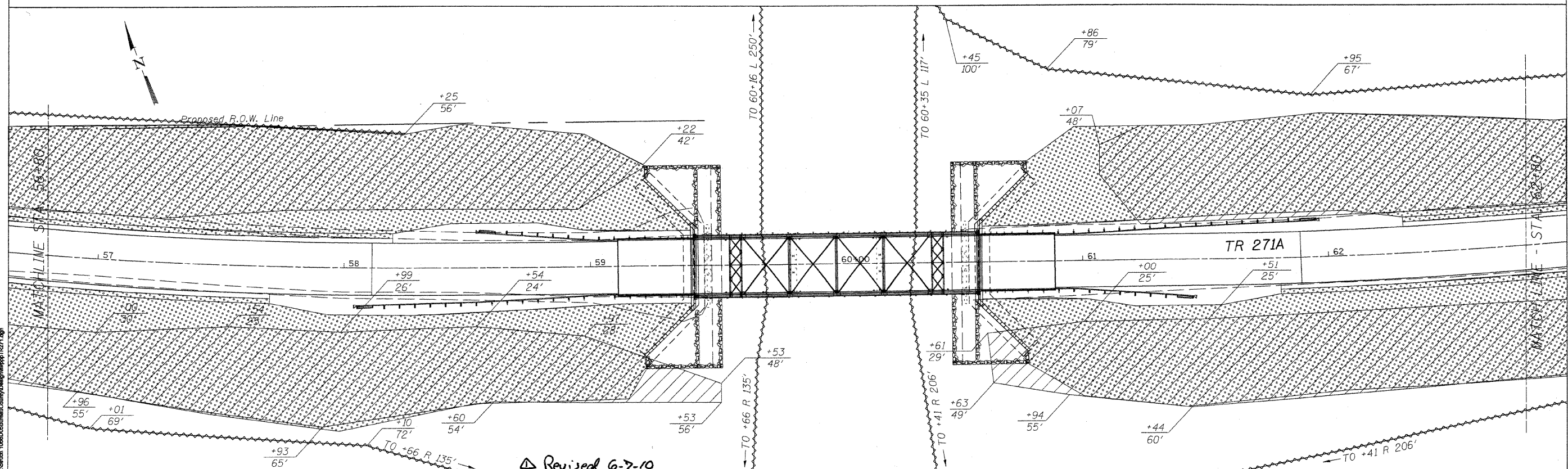


DATE	
BY	
DESIGNED	
PLANNED	
ALIGNED	
CHECKED	
NOTE BOOK	
NO.	
FILE NAME	

LEGEND	
	INLET PROTECTION
	PERIMETER EROSION BARRIER
	DRAINAGE FLOW
	TEMPORARY DITCH CHECK
	STONE DUMPED RIPRAP, CLASS B3
	TREE REMOVAL, ACRES
	EROSION CONTROL BLANKET OVER SEEDING, CLASS 3 (SPECIAL)



DATE	
BY	
DESIGNED	
PLANNED	
ALIGNED	
CHECKED	
NOTE BOOK	
NO.	
FILE NAME	



Revised 6-7-10

**WILLET, HOFMANN & ASSOCIATES, INC.**  
 CONSULTING ENGINEERS  
 809 East Second Street, Dixon, IL 61021  
 Phone: 815.294.3381 Fax: 815.294.3385  
 Design Firm # 184-00918  
 www.willett-hofmann.com

USER NAME =	DESIGNED -	REVISED -
PLOT SCALE =	DRAWN -	REVISED -
PLOT DATE =	CHECKED -	REVISED -
	DATE -	REVISED -

**BUREAU COUNTY**  
 BRIDGE REPLACEMENT  
 FAS 188 (C.H. 8) OVER IAIS RAILROAD & THE HENNEPIN CANAL

SWPPP - TR 271A

F.A.S.	SECTION	COUNTY	TOTAL SHEETS	SHEET NO.
188	05-00195-00-BR	BUREAU	127	111
STA. 54+00 TO STA. 56+80			CONTRACT NO. 81380	
FED. ROAD DIST. NO. 7			ILLINOIS FED. AID PROJECT BRS-0188(118)	