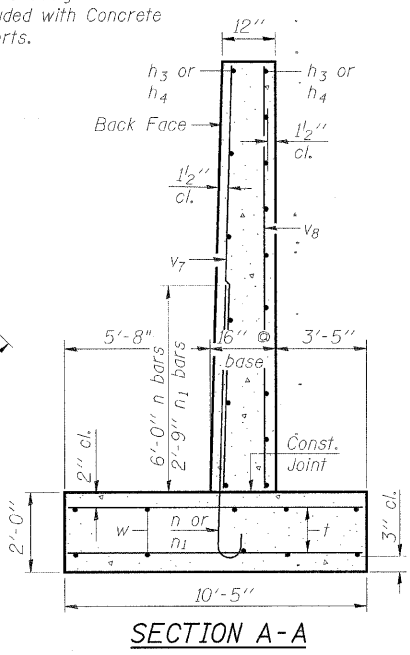
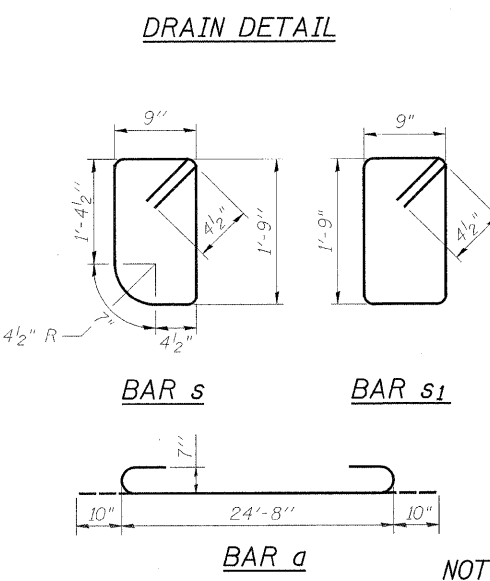
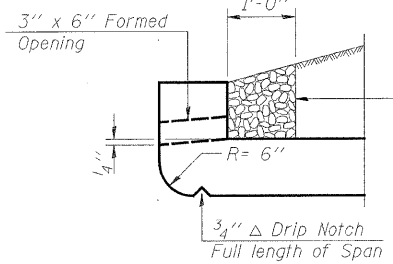
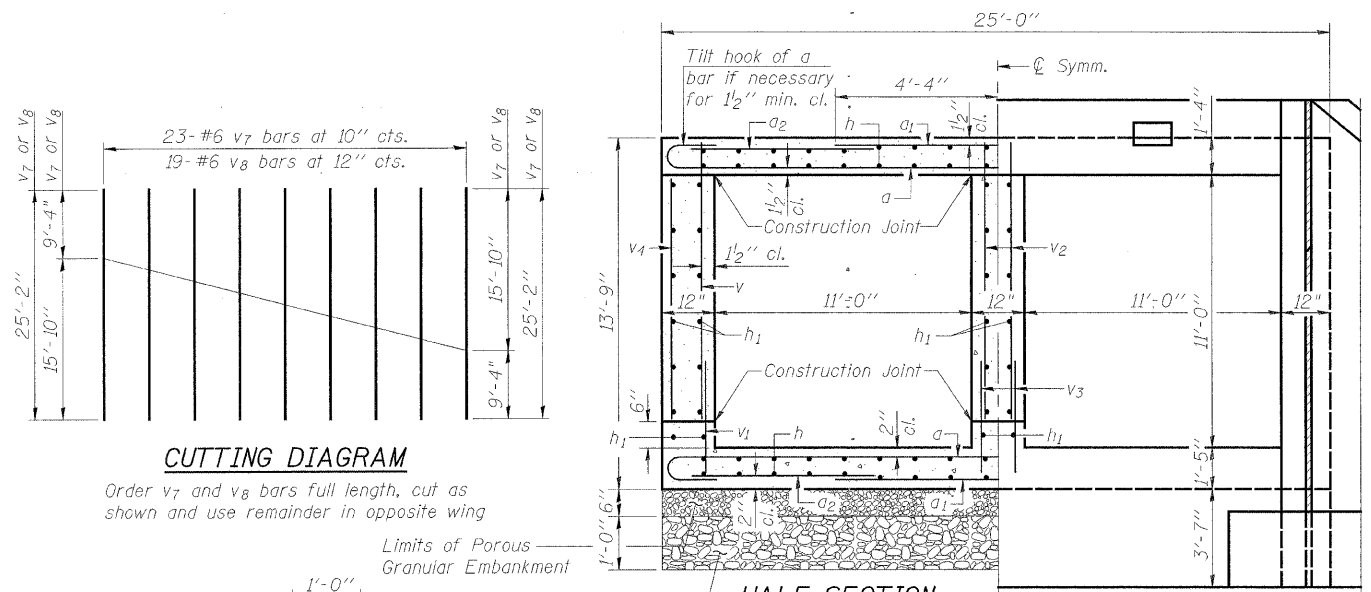
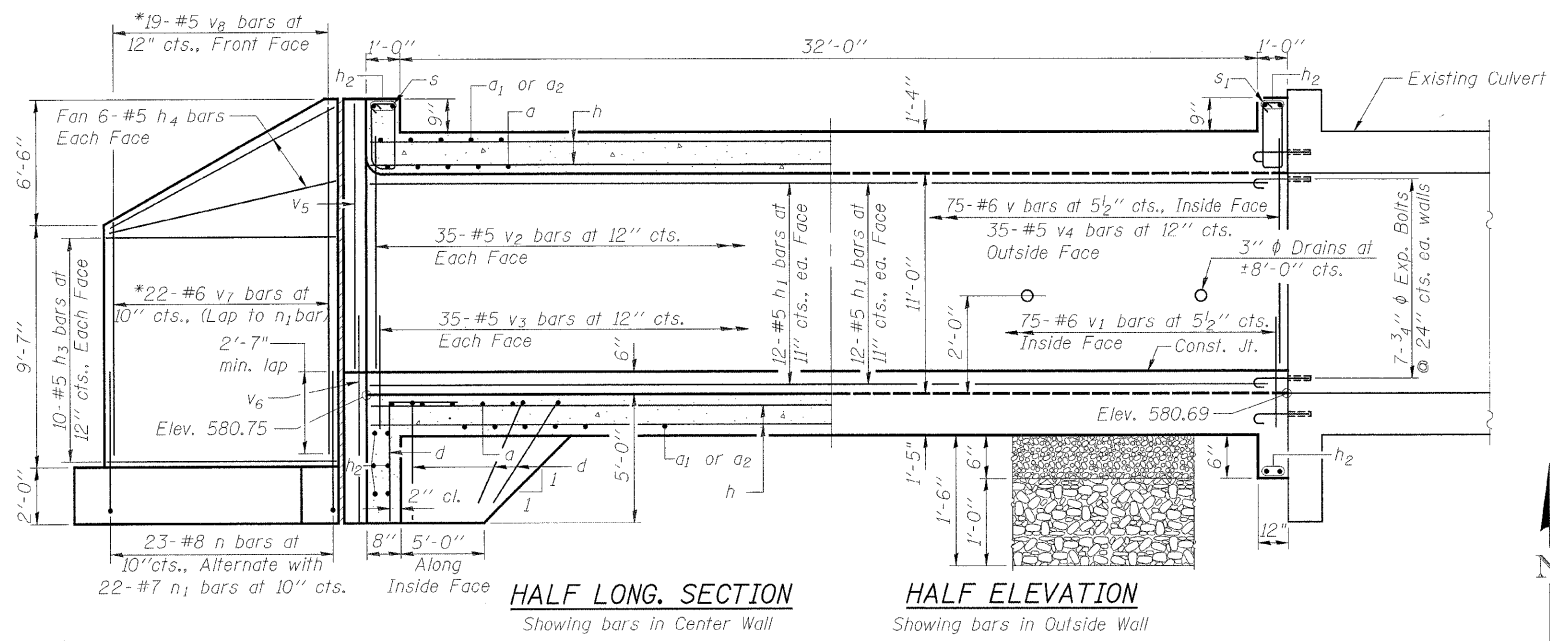


*See Field Cutting Diagram



HALF END ELEVATION BILL OF MATERIAL

Bar	No.	Size	Length	Shape
a	76	#7	26'-4"	U
a1	102	#8	8'-8"	U
a2	104	#4	9'-4"	U
d	40	#6	6'-6"	L
h	158	#6	33'-8"	U
h1	72	#5	33'-8"	U
h2	12	#6	24'-8"	U
h3	40	#5	18'-5"	U
h4	24	#5	18'-6"	U
n	46	#8	8'-8"	U
n1	44	#7	5'-4"	U
s	24	#4	5'-7"	U
s1	24	#4	5'-9"	U
t	90	#6	10'-1"	U
v	150	#6	11'-7"	U
v1	150	#6	3'-9"	U
v2	70	#5	11'-7"	U
v3	70	#5	3'-9"	U
v4	70	#5	10'-3"	U
v5	8	#6	12'-5"	U
v6	8	#6	7'-7"	U
v7	22	#6	25'-2"	U
v8	19	#5	25'-2"	U
w	44	#5	18'-5"	U
Porous Granular Embankment		Ton	30	
Reinforcement Bars		Pound	30,510	
Expansion Bolts 3/4"		Each	47	
Concrete Box Culverts		Cu. Yd.	183.8	
Breaker-Run Crushed Stone		Ton	60	

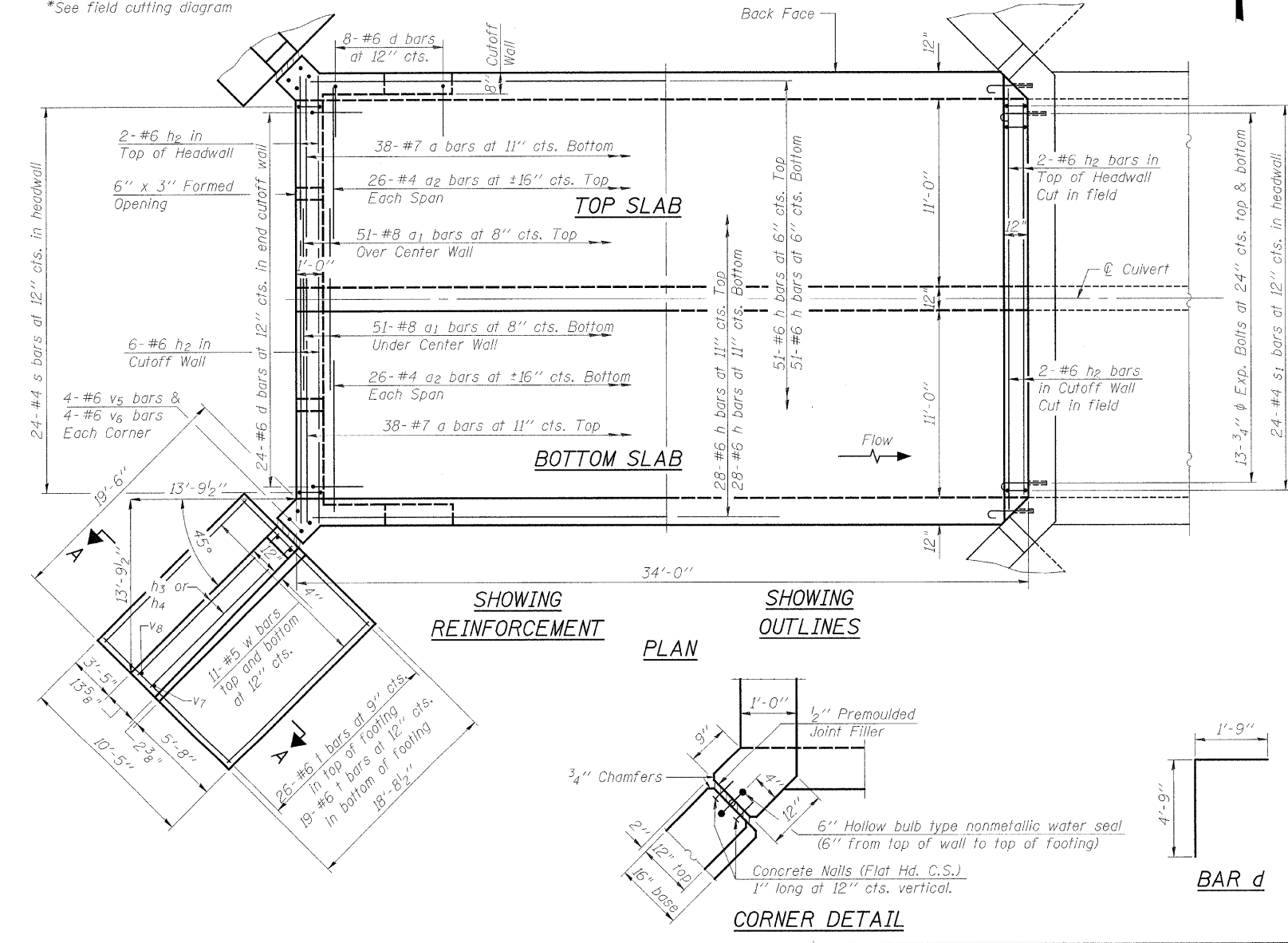
NOTES:
Expansion bolts shall be 3/4" φ hooked bolts. Hooked bolts shall extend a minimum of 9" into new concrete.
Cost of Preformed Joint Filler, Hollow Bulb Type Nonmetallic Water Seal & Concrete Nails included with Concrete Box Culverts.
No Precast Option Allowed.

WEST CULVERT EXTENSION DETAILS
C.H. 8 OVER POND CREEK
STATION 32+61.61
S.N. 006-5031
WHA #1066D05

STRUCTURAL SHEET NO. 2A OF 6A SHEETS	F.A.S. RTE.	SECTION	COUNTY	TOTAL SHEETS	SHEET NO.
	188	05-00195-00-BR	BUREAU	127	62
CONTRACT NO. 87380					
FED. ROAD DIST. NO. 7 ILLINOIS FED. AID PROJECT BRS-0188(118)					

MIN. LAP SIZE	LAP
#4	1'-8"
#5	2'-2"
#6	2'-7"
#7	3'-5"
#8	4'-6"
#9	5'-9"

SHOWING REINFORCEMENT PLAN



FILE NAME = s:\projects\1066D05\Bureau\Conts\Drawings\Double Barrel\1066Culvert.dgn