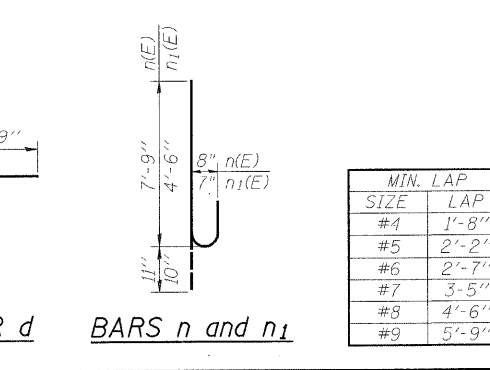
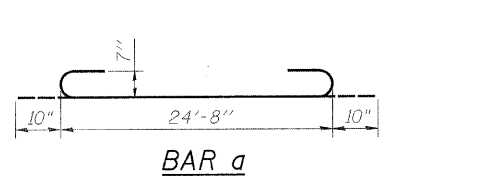
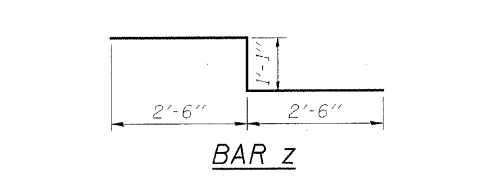
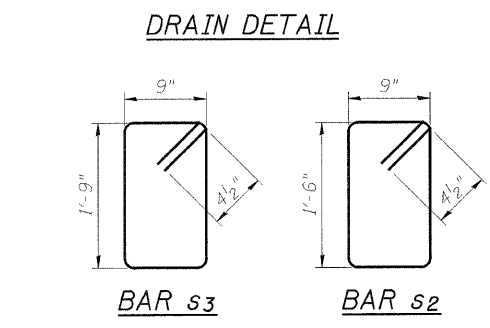
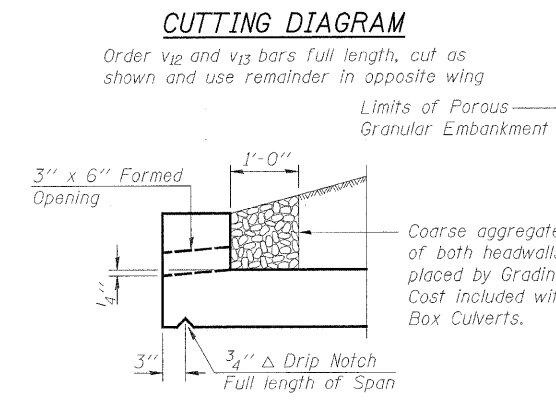
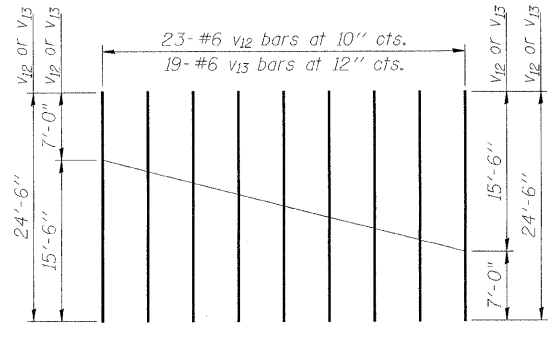
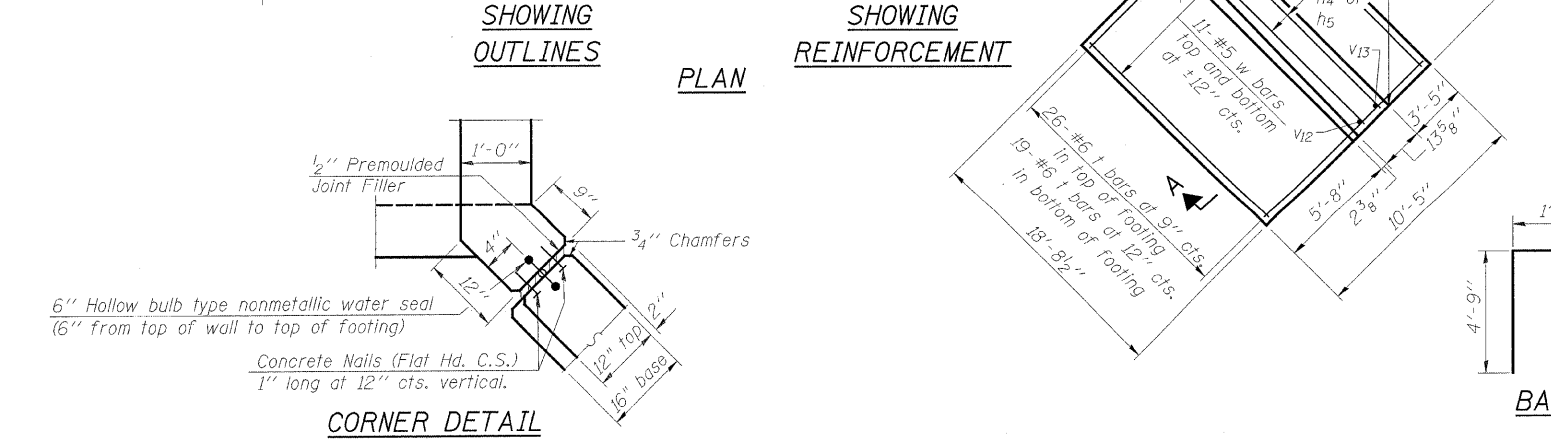
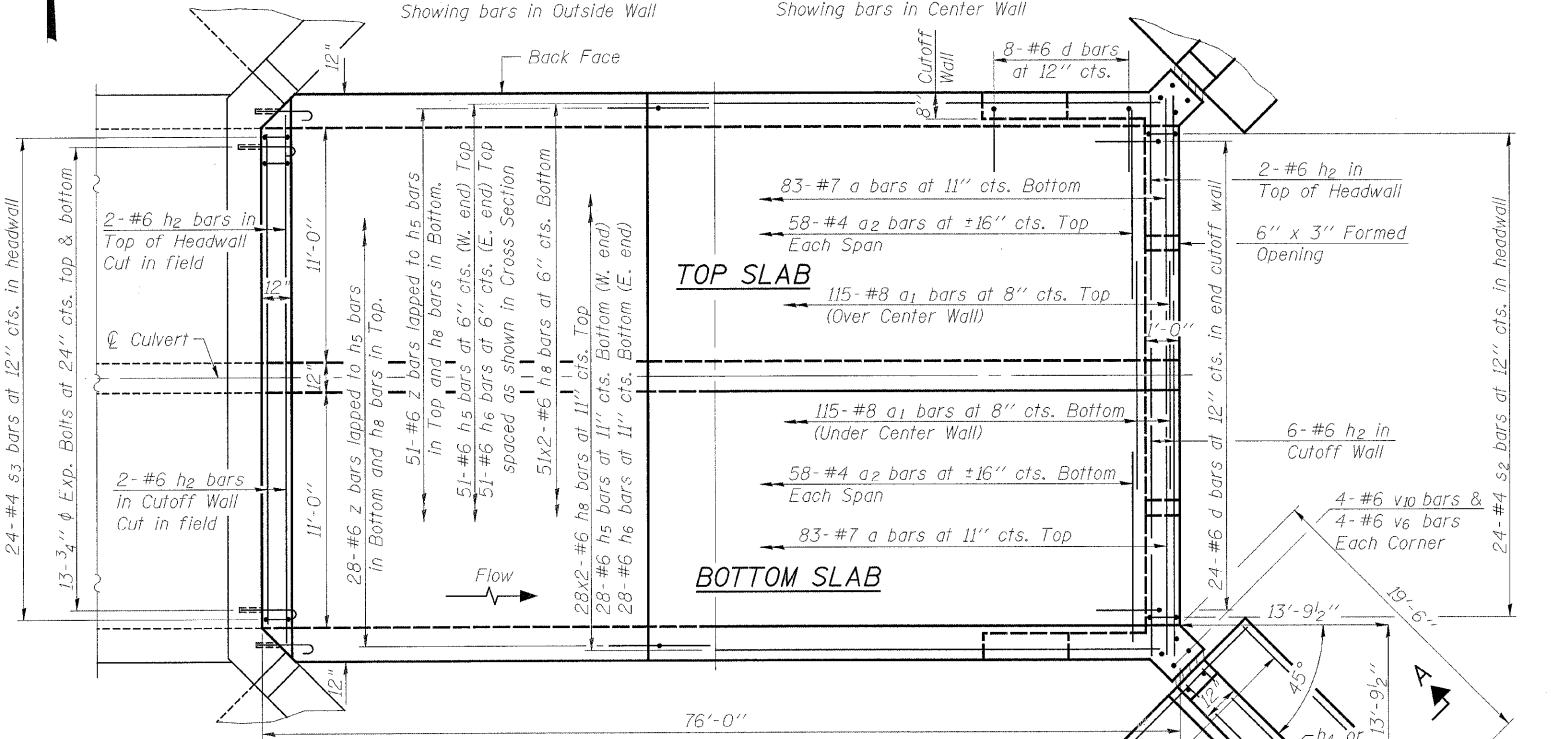
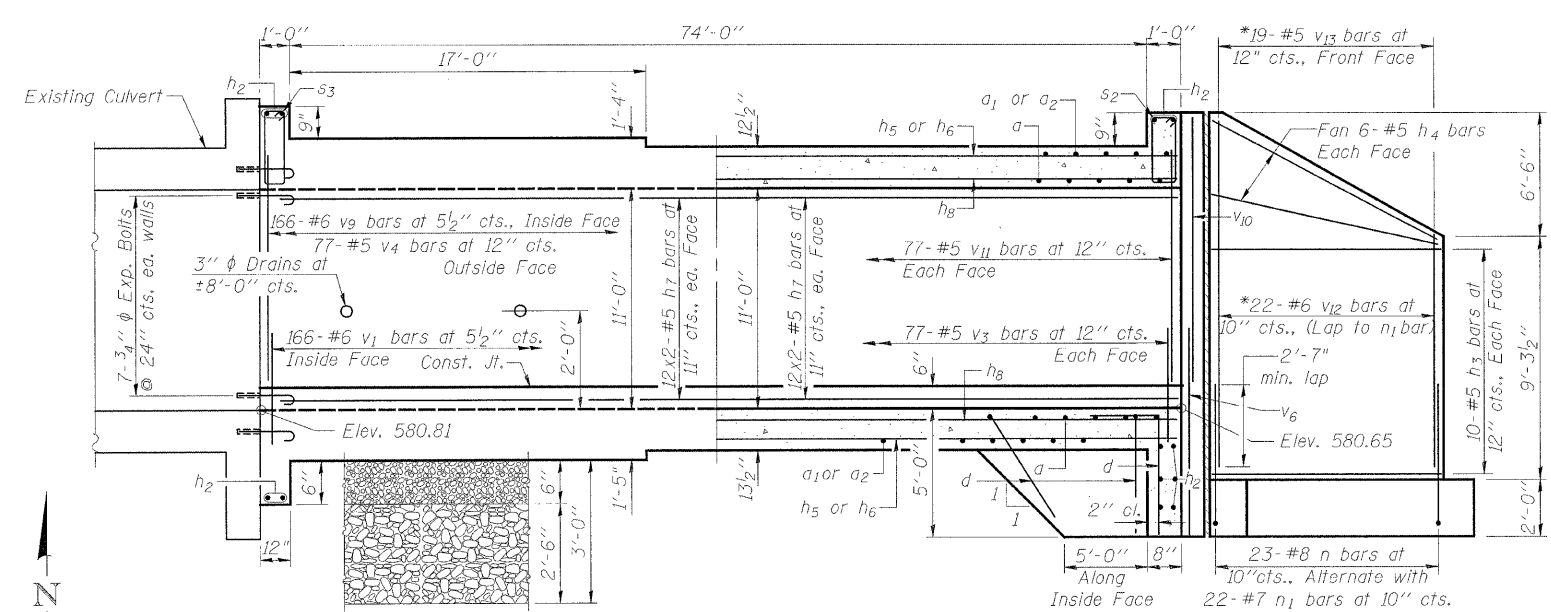
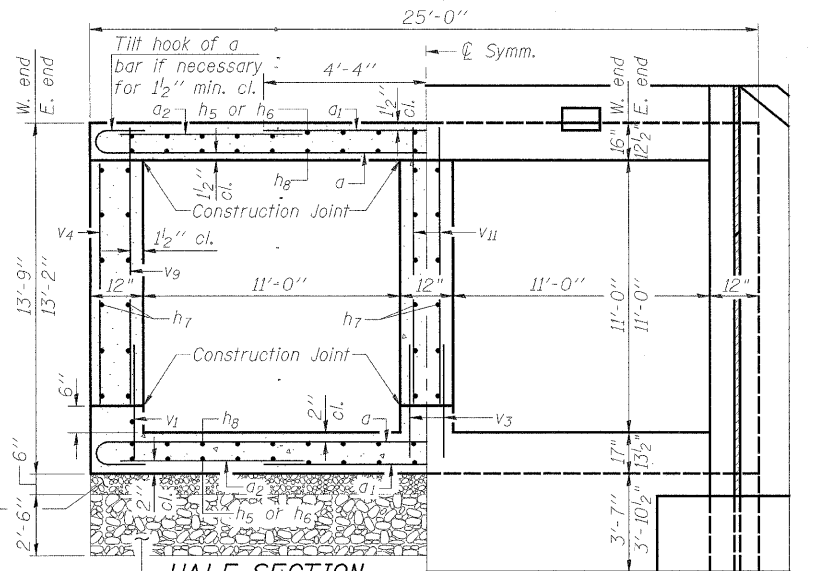


*See Field Cutting Diagram



MIN. LAP	SIZE	LAP
	#4	1'-8"
	#5	2'-2"
	#6	2'-7"
	#7	3'-5"
	#8	4'-6"
	#9	5'-9"



Bar	No.	Size	Length	Shape
a	166	#7	26'-4"	
a1	230	#8	8'-8"	
a2	232	#4	9'-4"	
d	40	#6	6'-6"	
h2	12	#6	24'-8"	
h3	40	#5	18'-5"	
h4	24	#5	18'-6"	
h5	79	#6	17'-8"	
h6	79	#6	57'-8"	
h7	144	#5	39'-0"	
h8	158	#6	39'-2"	
n	46	#8	8'-8"	
n1	44	#7	5'-4"	
s2	24	#4	5'-9"	
s3	24	#4	5'-7"	
t	90	#6	10'-1"	
v1	332	#6	3'-9"	
v3	154	#5	3'-9"	
v4	154	#5	10'-3"	
v6	8	#6	7'-7"	
v9	332	#6	11'-3"	
v10	8	#6	12'-0"	
v11	154	#5	11'-3"	
v12	22	#6	24'-6"	
v13	19	#5	24'-6"	
w	44	#5	18'-5"	
z	79	#6	6'-1"	
Porous Granular Embankment			Ton	70
Reinforcement Bars			Pound	59,590
Expansion Bolts 3/4"			Each	47
Concrete Box Culverts			Cu. Yd.	310.6
Breaker-Run Crushed Stone			Ton	349

NOTES:
Expansion bolts shall be 3/4" φ hooked bolts. Hooked bolts shall extend a minimum of 9" into new concrete.
Cost of Preformed Joint Filler, Hollow Bulb Type Nonmetallic Water Seal & Concrete Nails included with Concrete Box Culverts.
No Precast Option Allowed.

EAST CULVERT EXTENSION DETAILS
C.H. OVER POND CREEK
STATION 32+61.61
S.N. 006-5031
WHA #1066D05

STRUCTURAL SHEET NO. 3A OF 6A SHEETS	F.A.S. RTE.	SECTION	COUNTY	TOTAL SHEETS	SHEET NO.
	188	05-00195-00-BR	BUREAU	127	63
CONTRACT NO. 87380					
FED. ROAD DIST. NO. 7 ILLINOIS FED. AID PROJECT BRS-0188(118)					

FILE NAME: s:\51-ct\1066D05\Bureau\Drawings\Double Barrel\1066D05\cuvr1.dgn