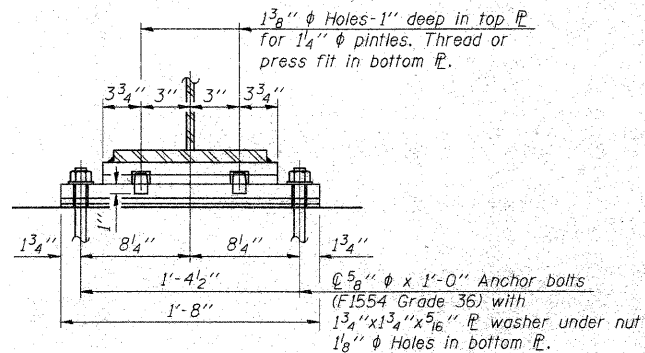
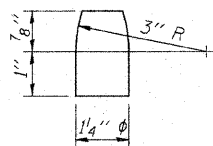


ELEVATION AT PIER

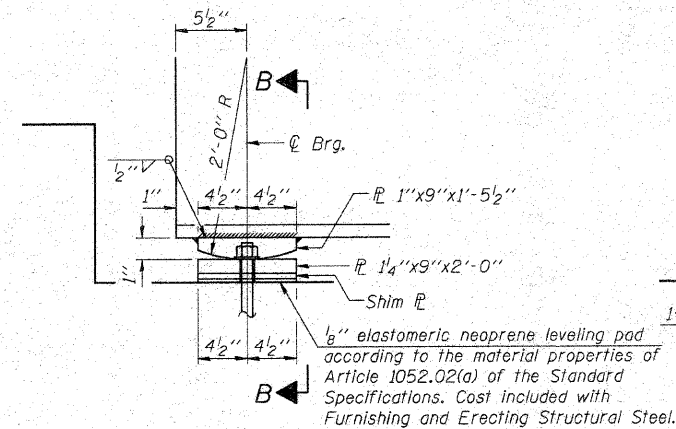


SECTION B-B

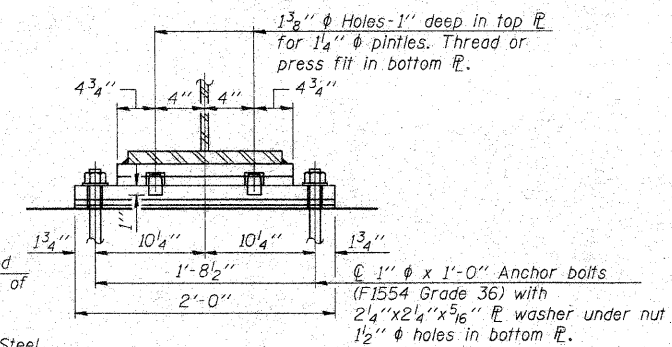
FIXED BEARING - SOUTH BEARING PIER #2



PINTLE

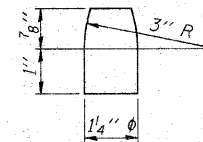


ELEVATION AT PIER



SECTION B-B

FIXED BEARING - NORTH BEARING PIER #2



PINTLE

NOTES:

Anchor bolts shall be ASTM F1554 all-thread (or an Engineer-approved alternate material) of the grade(s) and diameter(s) specified. ASTM A307 Grade C anchor bolts may be used in lieu of ASTM F1554 Grade 36 (Fy=36ksi). The corresponding specified grade of AASHTO M314 anchor bolts may be used in lieu of ASTM F1554.

Anchor bolts at fixed bearings may be either cast in place or installed in holes drilled after the supported member is in place.

Drilled and set anchor bolts shall be installed according to Article 521.06 of the Standard Specifications.

Two 1/8 in. adjusting shims shall be provided for each bearing in addition to all other plates required and placed as shown on bearing details.

BILL OF MATERIAL

Item	Unit	Total
Anchor Bolts, 5/8"	Each	10
Anchor Bolts, 1"	Each	10

FIXED BEARING DETAILS  
C.H. 8 OVER IOWA INTERSTATE RAILROAD  
& THE HENNEPIN CANAL  
STATION 36+00  
S.N. 006-3247  
WHA #1066D05

STRUCTURAL SHEET NO. 22B OF 33B SHEETS	F.A.S. RTE.	SECTION	COUNTY	TOTAL SHEETS	SHEET NO.
	188	05-00195-00-BR	BUREAU	127	88
CONTRACT NO. 87380					
FED. ROAD DIST. NO. 7 ILLINOIS FED. AID PROJECT BRS-0188(118)					