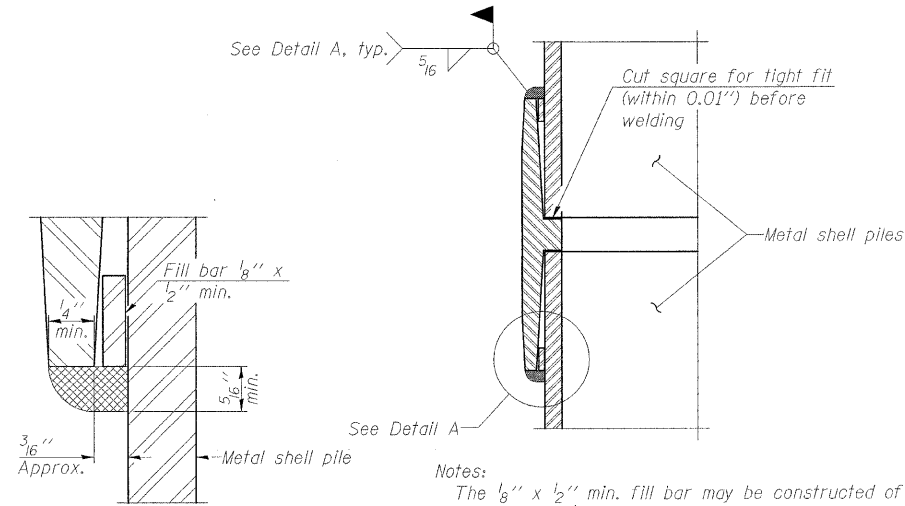


METAL SHELL PILE TABLE

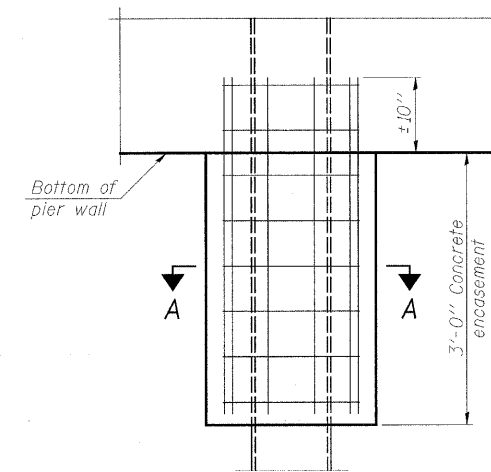
Designation and outside diameter	Wall thickness t	Weight per foot (Lbs./ft.)	Inside volume (yd. ³ /ft.)
PP12	0.179"	22.60	0.0274
PP12	0.250"	31.37	0.0267
PP14	0.250"	36.71	0.0368
PP14	0.312"	45.61	0.0361



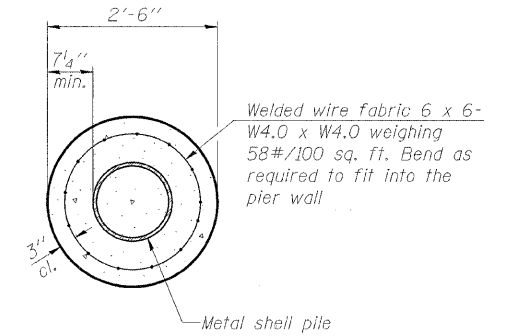
DETAIL A

Notes:
 The 1/8" x 1/2" min. fill bar may be constructed of 2 bars with a 1/8" max. gap between them.
 Pile segments shall be driven to solid contact with splicer before welding.

WELDED COMMERCIAL SPLICE



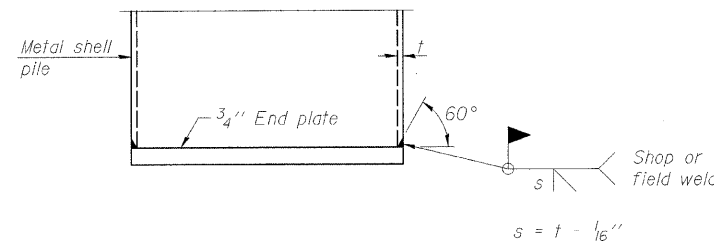
ELEVATION



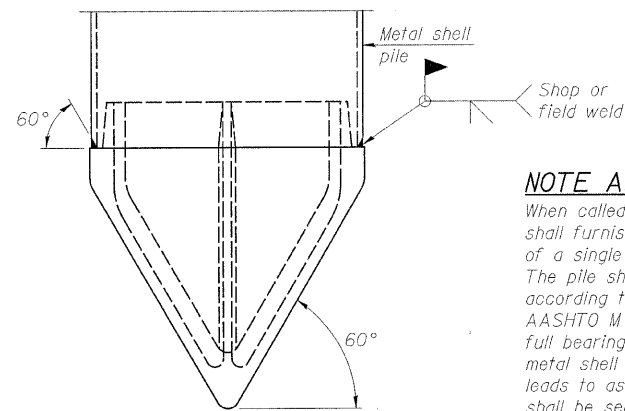
SECTION A-A

Note:
 Forms for encasement may be omitted when soil conditions permit.

CONCRETE ENCASEMENT AT PIERS

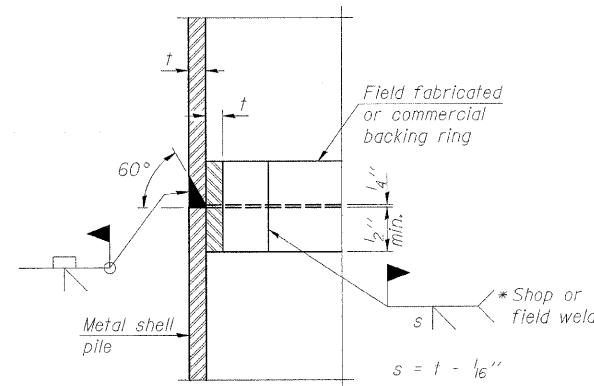


END PLATE ATTACHMENT



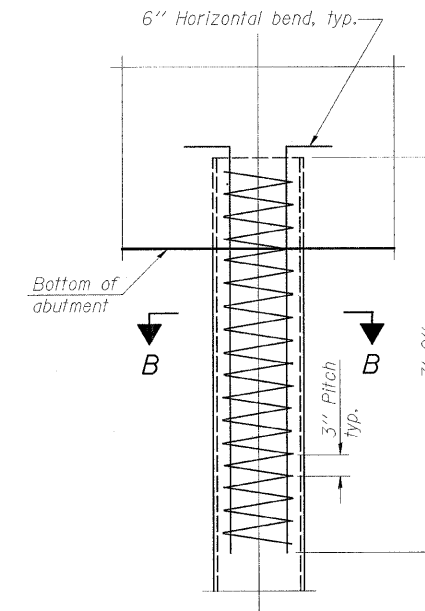
METAL SHELL PILE SHOE ATTACHMENT
 (See Note A)

NOTE A:
 When called for on the plans, the Contractor shall furnish metal shell pile shoes consisting of a single piece conical pile point as shown. The pile shoes shall be cast in one piece steel according to either ASTM A 148 Grade 90-60 or AASHTO M 103 Grade 65-35 and shall provide full bearing over the full circumference of the metal shell pile. The pile shoe shall have tapered leads to assure proper alignment and fitting and shall be secured to the pile with a circumferential weld.

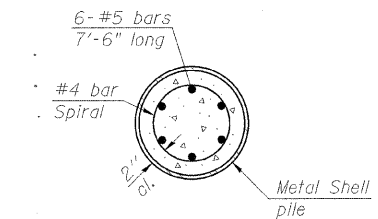


COMPLETE PENETRATION WELD SPLICE

* Field fabricated backing ring may be made from pile shell by removing segment to allow reducing circumference and vertically rejoin with partial joint penetration weld.



ELEVATION



SECTION B-B

METAL SHELL REINFORCEMENT AT ABUTMENTS

METAL SHELL PILE DETAILS
C.H. 8 OVER IOWA INTERSTATE RAILROAD
& THE HENNEPIN CANAL
STATION 36+00
S.N. 006-3247
 WHA #1066D05

NOTE:
 The metal shell piles shall be according to ASTM A 252 Grade 3.
 Concrete Encasement, Welded Wire Fabric, and Reinforcement Bars for Piers & Abutments and all associated work shall be included in the contract unit price per foot for Driving Piles.

STRUCTURAL SHEET NO. 28B OF 33B SHEETS	F.A.S. RTE.	SECTION	COUNTY	TOTAL SHEETS	SHEET NO.
	188	05-00195-00-BR	BUREAU	127	94
CONTRACT NO. 87380					
FED. ROAD DIST. NO. 7 ILLINOIS FED. AID PROJECT BRS-0188(118)					